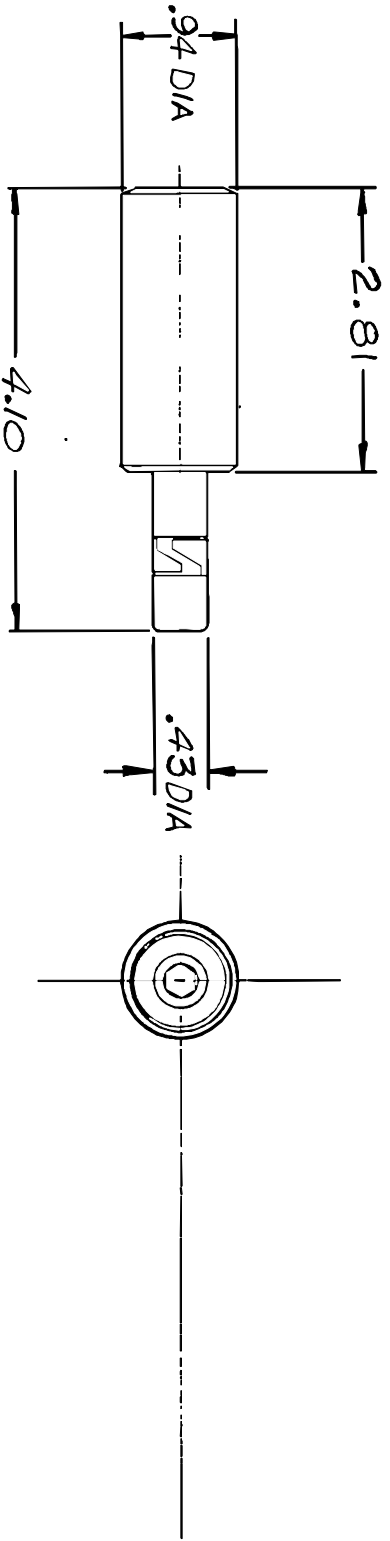


REVISIONS			
LTR	DESCRIPTION	DATE	APPROVED
A	REVISED TO MFG. ECN# T-06972	9/8/86	<i>Smr</i>
B	REVISED PER ECN:# T-17279	3/20/92	<i>Smr</i>



- NOTES:
1. MAY BE PURCHASED UNDER PART NO. 323451
 2. ALL DIMENSIONS SHOWN ARE FOR REFERENCE ONLY.

SPECIFICATION CONTROL DRAWING © Raychem Corporation 1986

DRAWN	CERDAN	7 JULY 86
CHECKED	<i>Smr</i>	8-19-86
APPROVED	<i>E. Decker</i>	8/29/86
APPROVED		

UNLESS OTHERWISE SPECIFIED
DIMENSIONS ARE IN INCHES.
METRIC DIMENSIONS ARE
IN PARENTHESES

DO NOT SCALE THIS DRAWING

TITLE		Raychem		RANCHEN CORPORATION 300 CONSTITUTION DRIVE MENLO PARK, CALIFORNIA 94025	
TORQUE HANDLE		MTC 100 REPAIR KIT			
SIZE	CODE IDENT. NO.	DWG. NO.			
B	06090	CE-1603400			
WGT		SHEET		OF	
—		/		/	

If this document is printed it becomes uncontrolled.
Check with the web for latest revision.