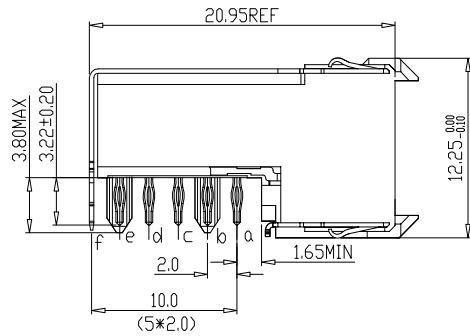


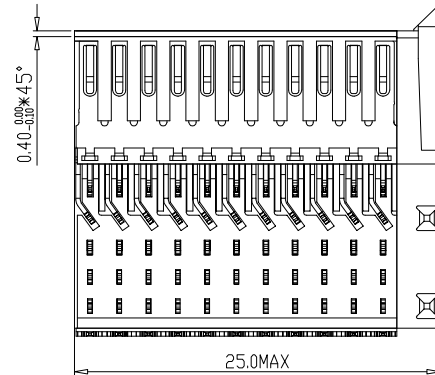
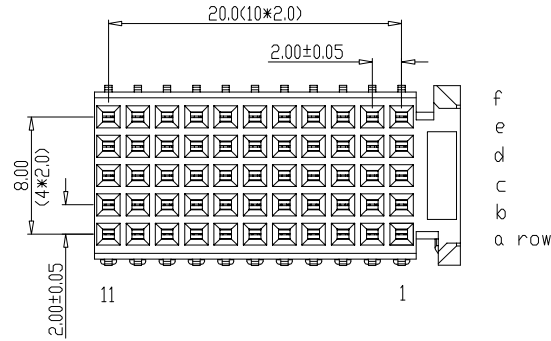
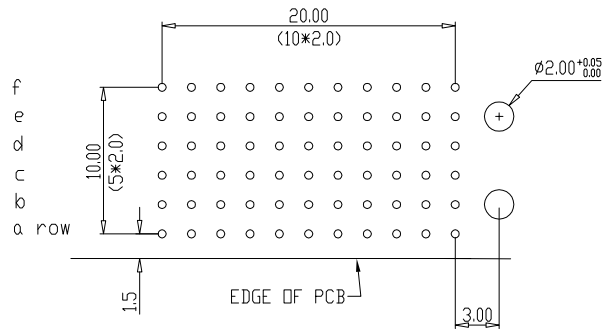


All rights strictly reserved. Reproduction or issue to third parties in any form whatever is not permitted without written authority from the proprietor.
Property of FCI. Copyright FCI.

Tous droits strictement reserves. Reproduction ou communication a des tiers interdite sous quelque forme que ce soit sans autorisation ecrite du proprietaire.
Propriete de c FCI. Droits de reproduction FCI.



LAY-OUT
P.C.B.- HOLE



PERFORMANCE CHARACTERISTICS

- CURRENT RATING 1.5A AT 20°C (FULLY LOADED)
- 1 A AT 70°C (FULLY LOADED)
- RATED VOLTAGE : 500 V AC (CONT /CONT)
- OPERATING TEMPERATURE : -55°C TO 125°C
- CONTACT RESISTANCE 20 MΩ MAX
- INSERTION FORCE : 0.75N MAX/CONT
- EXTRACTION FORCE : 0.15N MIN/CONT
- INSULATION RESISTANCE : 10⁴ MΩ MIN

NOTES 1: LEAD FREE INDICATOR :LF=LEAD FREE

PERFORMANCE LEVEL INDICATOR (REF DWG ND.BSC.201844.003)

2. THIS PRODUCT IS CSA APPROVED, THIS PRODUCT IS UL RECOGNIZED.
3. FOR RECOMMENDED PTH DIMENSIONS REFER DRAWING : BS.A.201572.001
4. THIS PRODUCT (LF) MEETS EUROPEAN UNION DIRECTIVES AND OTHER COUNTRY REGULATIONS AS DESCRIBED IN GS-22-008

rev	ecn no	dr	date
A	CONVERSION REVISION 02	KN	14-09-01
B	DG05-0278	Kason	02-08-05
C	DG07-0362	Kason	05-09-07
D	DG10-0110	NZ	05-30-10

Material		Spec ref			
Mat code					
Heattreat				 1DEC ± 0.2 1DEC 2DEC ± 0.1 2DEC ANGLES ± 1° HOEKEN	
Plating/Finish					 size A4 Scale 2.000
Dr	W,Paris	10-01-95	Product family	MILLIPACS	
Eng			Model Name	ECN	
Chr			Model Revision	REL Level	
Appr					
		title	MPACS 5+2R RA RCP CONN TYPE CR	dwg no	BSC201444022
Pro/E file	catalog no	HM2R20PA5104----	CUSTOMER DRAWING	Rev.	D
			sheet 1 of 1		