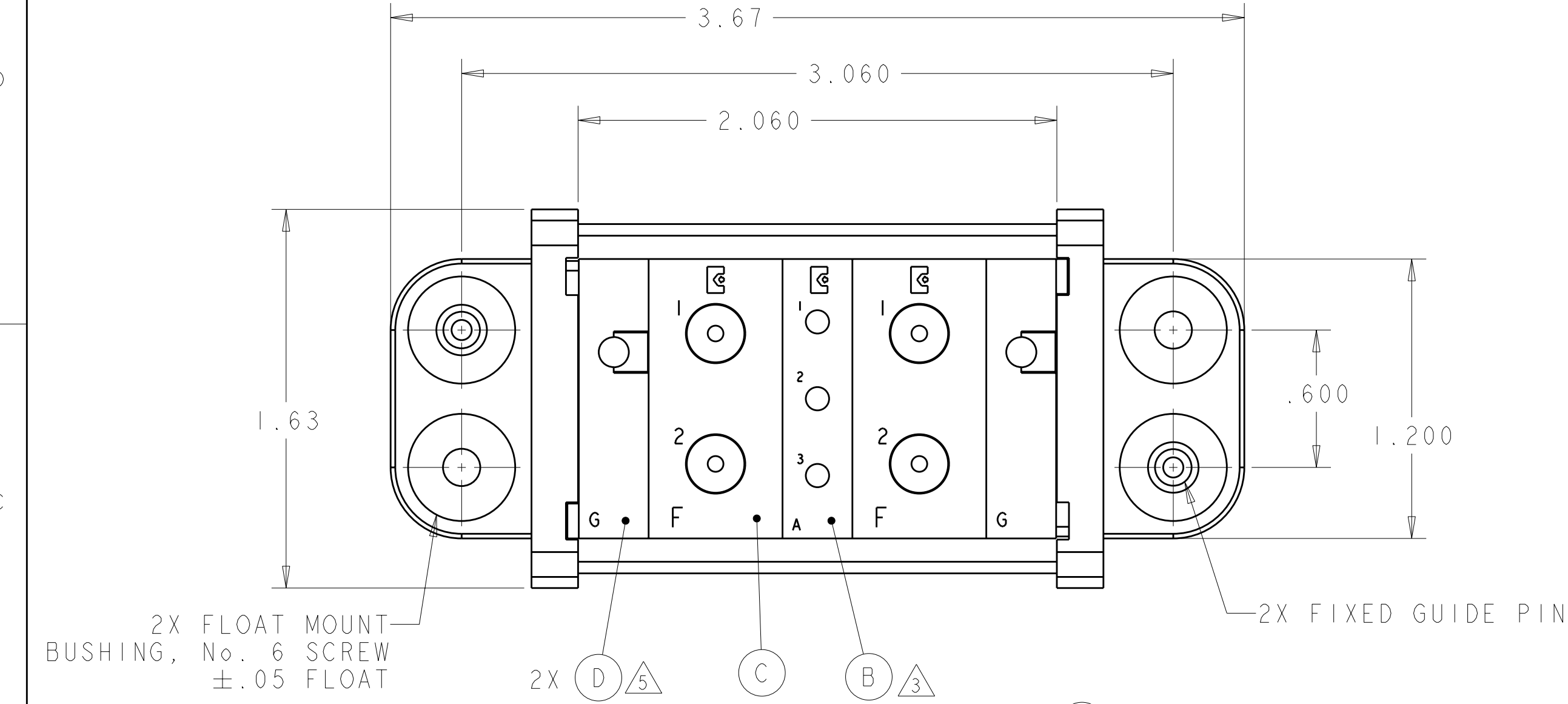
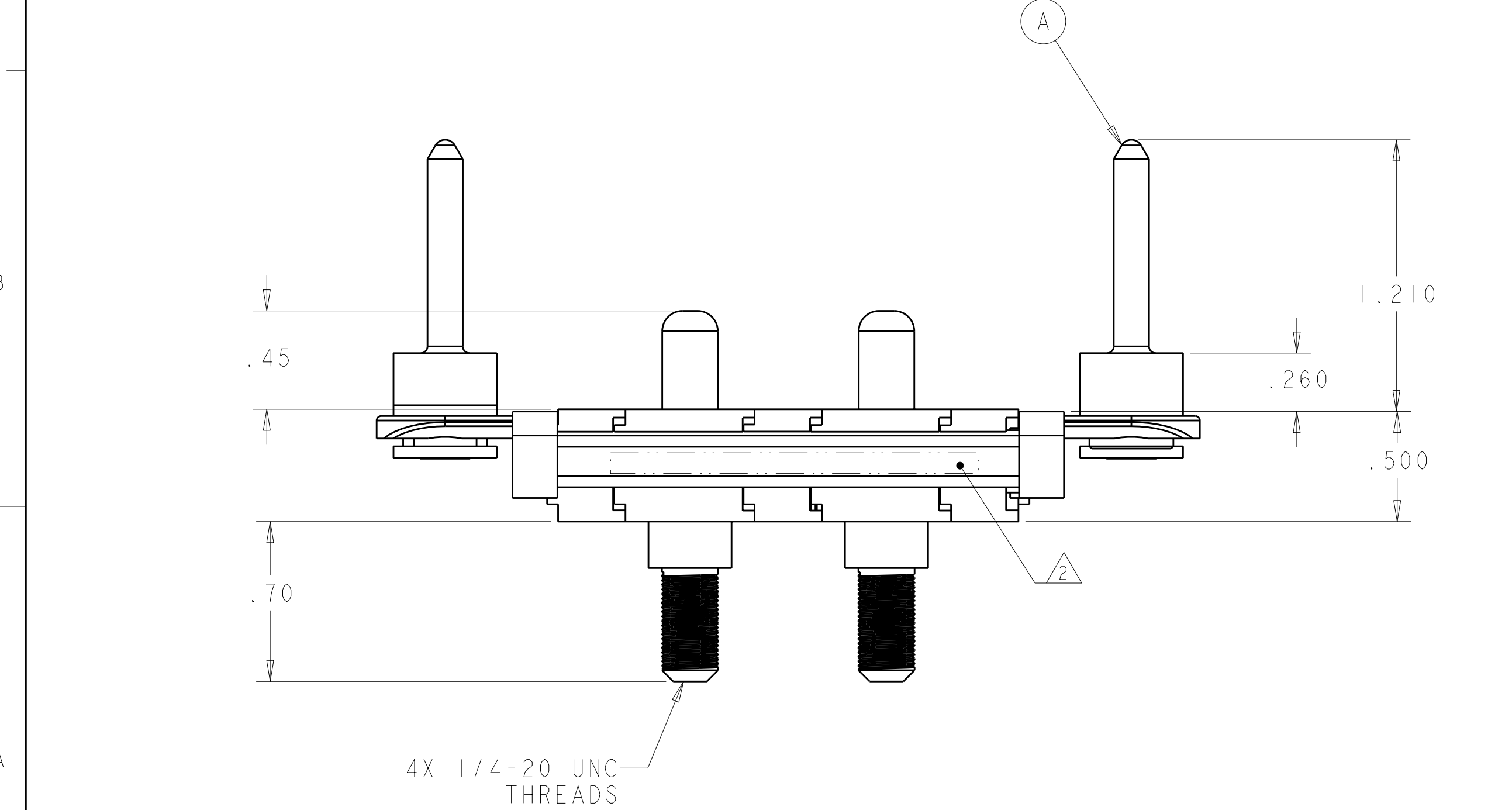


LOC	DIST	REVISIONS			
P	LTR	DESCRIPTION	DATE	DWN	APVD
GP	00	A	RELEASED	14AUG2008	RG DO



1. PART NUMBER CHANGES AND/OR DESIGN CHANGES AFFECTING ITEM INTERCHANGEABILITY REQUIRE TYCO ELECTRONICS APPROVAL AND AUTHORIZATION BY REVISION TO THIS DRAWING.
2. ITEMS PROVIDED TO THIS SPECIFICATION TO BE PERMANENTLY IDENTIFIED PER THE FOLLOWING IDENTIFIER:  
 YEAR 11 WEEK 11  
 TYCO ELECTRONICS P/N DATE CODE (e.g. 0225)  
 XXXXXXXX-X XXXX
3. MODULES ARE FOR CRIMP STYLE REMOVABLE CONTACTS (ITEM E). THEY ARE PACKAGED SEPARATELY WITH AN INSERTION/ REMOVAL TOOL AND WILL BE SHIPPED LOOSE WITH THE ASSEMBLY.
4. MOUNTING FLANGE BUSHING ACCEPTS 6/32 SCREW (Ø .156 CLEARANCE HOLE, FLOAT MOUNT) OR 8/32 SCREW (Ø .173 CLEARANCE HOLE, FIXED MOUNT) USER SUPPLIED.
5. MODULES NOTED ARE BLANK.

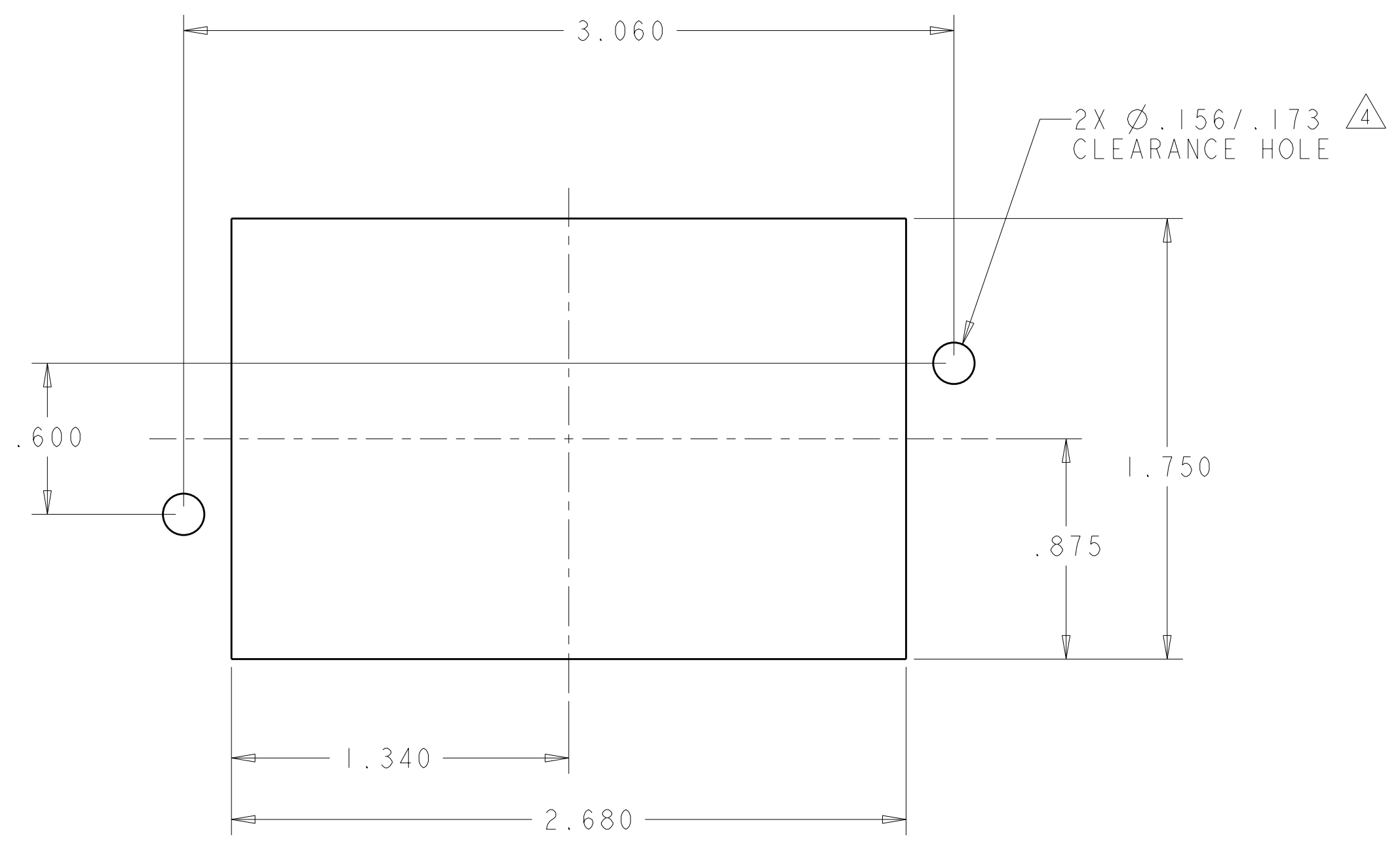


3	1766193-1	PIN CONTACT, SIZE No. 12, CRIMP	E
2	1648509-1	MODULE "G"	D
2	6648487-1	MODULE "F"	C
1	1648461-1	MODULE "A"	B
2	6648251-1	END CAP, GUIDE PIN, FLOAT	A
-1	PART NO.	DESCRIPTION	ITEM

THIS DRAWING IS A CONTROLLED DOCUMENT FOR TYCO ELECTRONICS CORPORATION. IT IS SUBJECT TO CHANGE AND THE CONTROLLING ENGINEERING ORGANIZATION SHOULD BE CONTACTED FOR THE LATEST REVISION.		DWN R. GRZYBOWSKI 11 JUN 2008 CHK D. ORRIS 11 JUN 2008 APVD S. FLICKINGER 11 JUN 2008	Tyco Electronics Harrisburg, PA 17105-3608
DIMENSIONS: INCHES 	TOLERANCES UNLESS OTHERWISE SPECIFIED: 0 PLC ± 1 PLC ± 2 PLC ±.02 3 PLC ±.010 4 PLC ± ANGLES ±5 FINISH	PRODUCT SPEC APPLICATION SPEC WEIGHT CUSTOMER DRAWING	NAME: PIN CONNECTOR DOMINO W/ PANEL CUT-OUT SIZE: A200779 CAGE CODE: C-6643944 DRAWING NO: 6643944 RESTRICTED TO:
MATERIAL: -		SCALE: 2:1	SHEET 1 OF 2 REV A

THIS DRAWING IS UNPUBLISHED. RELEASED FOR PUBLICATION 20  
 © COPYRIGHT 20 BY TYCO ELECTRONICS CORPORATION. ALL RIGHTS RESERVED.

LOC	DIST	REVISIONS			
P	LTR	DESCRIPTION	DATE	DWN	APVD
GP	00	-	SEE SHEET 1	-	-



PIN PANEL MOUNT CUT-OUT

<small>THIS DRAWING IS A CONTROLLED DOCUMENT FOR TYCO ELECTRONICS CORPORATION          IT IS SUBJECT TO CHANGE AND THE CONTROLLING ENGINEERING ORGANIZATION          SHOULD BE CONTACTED FOR THE LATEST REVISION.</small>		DWN <b>R. GRZYBOWSKI</b> 11 JUN 2008 CHK <b>D. ORRIS</b> 11 JUN 2008 APVD <b>S. FLICKINGER</b> 11 JUN 2008	<b>Tyco Electronics</b> Tyco Electronics Harrisburg, PA 17105-3608
DIMENSIONS: INCHES 	TOLERANCES UNLESS OTHERWISE SPECIFIED: 0 PLC ±- 1 PLC ±- 2 PLC ±.02 3 PLC ±.010 4 PLC ±- ANGLES ±5 FINISH	PRODUCT SPEC - APPLICATION SPEC - WEIGHT - CUSTOMER DRAWING	NAME <b>PIN CONNECTOR          DOMINO          W/ PANEL CUT-OUT</b> SIZE <b>A200779</b> CAGE CODE <b>C-6643944</b> DRAWING NO. <b>6643944</b> RESTRICTED TO -
MATERIAL -		SCALE <b>2:1</b>	SHEET <b>2</b> OF <b>2</b> REV <b>A</b>