

5

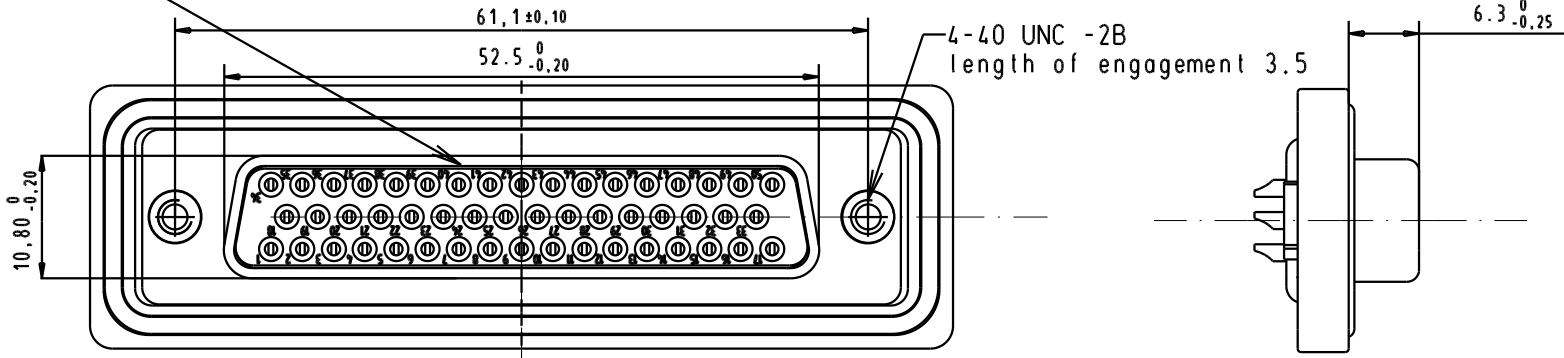
4

3

2

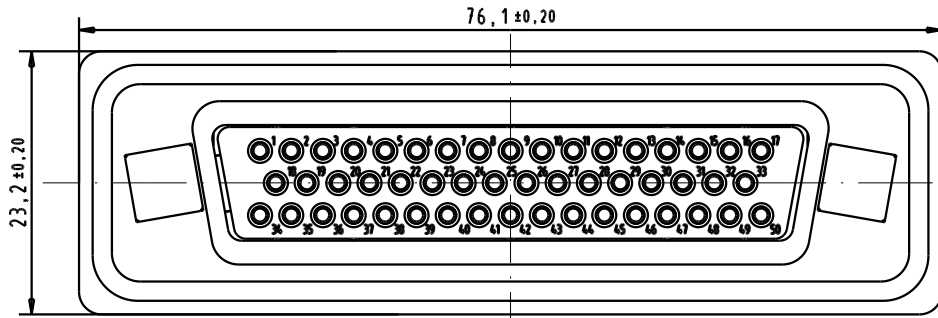
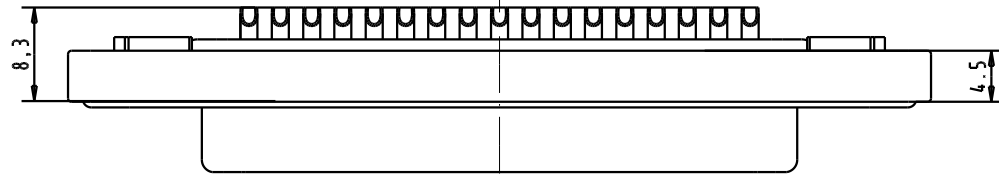
1

Mating face according to : MIL-C-24308 / DIN 41652 / CECC 75.01-802



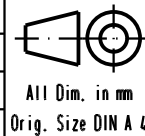
1) Protection standard IP 67 according to IEC 529 / DIN 40050.

2) cable: AWG 20 max



09 67 650 6715 Au plating 0,76 μm mini

	Dat.	Name
Detail.	03/02/04	S.H.
Insp.		
Stand.		



D-SUB IP67 female 50 Poles
straight solder cup with
4-40 UNC nut and metal frame

Maßstab/
Scale

Part Number

Performance Level

31587	03/02/04	S.H.
Mod.	Dat.	Name

HARTING ELEKTRONIK
F-95972 Paris



TB 09 67 650 6715

Sub.

Blatt/ Page