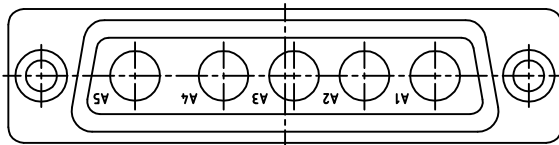
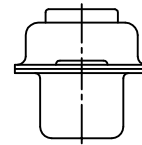
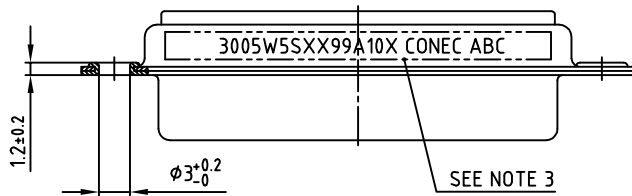
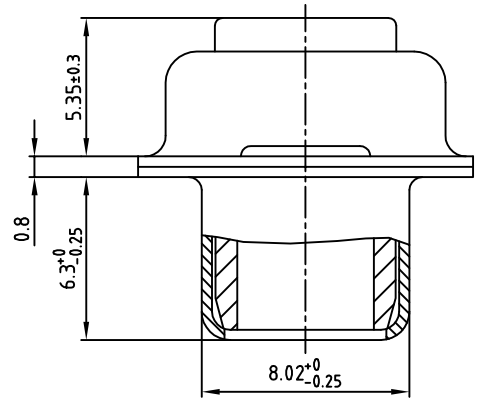
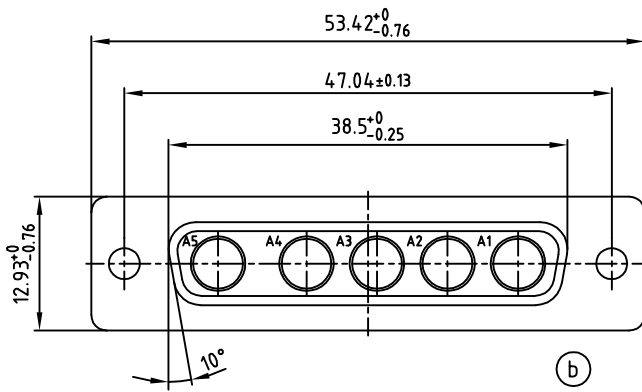


used for: D-SUB COMBINATION

5:1



NOTES:

1. METALSHELLS: STEEL; TIN PLATED
2. INSULATOR: PBT GF, UL 94 V-0; GREEN
3. CONNECTOR IS PART MARKED: 3005W5SXX99A10X CONEC Y/WW

Directive 2002/95/EC  
"RoHS"  
Compliant

THIS DRAWING MAY NOT BE COPIED OR REPRODUCED IN ANY WAY, AND MAY NOT BE PASSED ON TO A THIRD PARTY, WITHOUT WRITTEN PERMISSION. OWNERSHIP AND COPYRIGHT OF CONEC GmbH DO NOT ALTER CAD DRAWING BY HAND

rev.	description	date	name	tolerance	1998	date	name
1 x b	Ä3485	06.11.09	Sonne				
a	Origin						



scale:	2:1 (5:1)
material:	SEE NOTES
title:	D-SUB COMBINATION FEMALE 5W5S WITHOUT CONTACTS
dwg no:	AutoCAD/REL.13 DIN-A 13K11K5A
part no:	3005W5SXX99A10X
	3 sh: 1/1