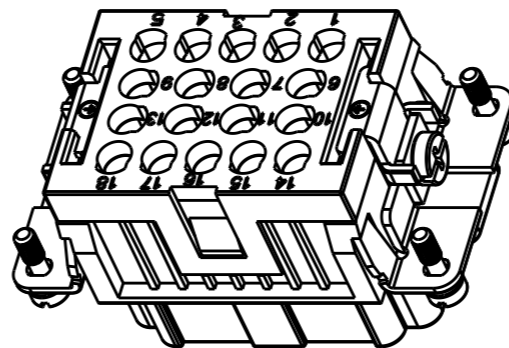
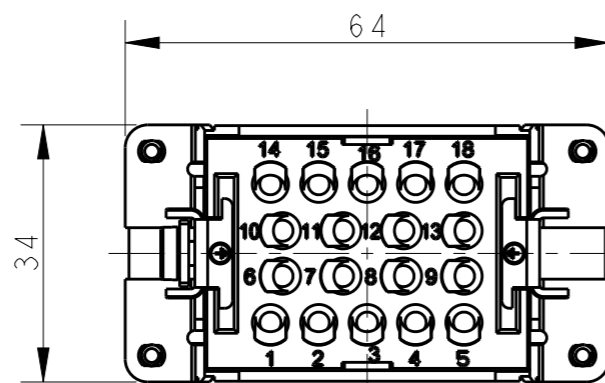


THIS DRAWING IS UNPUBLISHED. RELEASED FOR PUBLICATION 20
 © COPYRIGHT 20 BY - ALL RIGHTS RESERVED.

REVISIONS

P	LTR	DESCRIPTION	DATE	DWN	APVD
A		INITIAL RELEASE	10MAR2015	DL	CW
B		ECR-15-014907	14OCT2015	DL	CW
B1		ECR-16-015492	21NOV2016	QY	CW

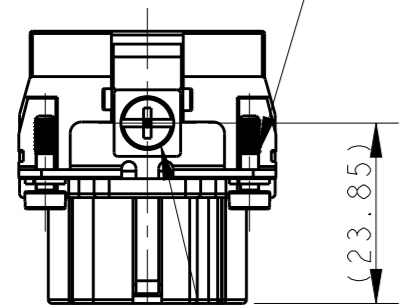


TYPE-1, T2050182201-000, TE LOGO
 类型-1, T2050182201-000, TE LOGO

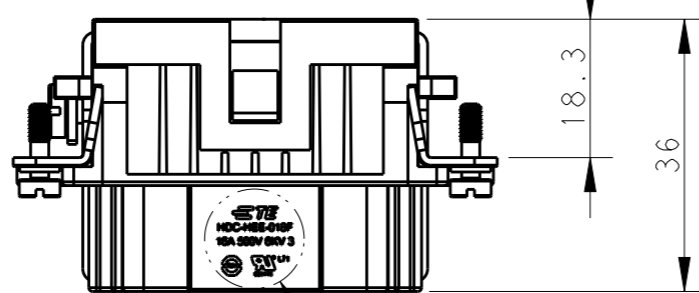
- NOTES:
- TECHNICAL CHARACTERISTICS:
 INSULATION MATERIAL: PC
 RATED VOLTAGE: 500 V
 RATED CURRENT: 16 A
 INSULATION RESISTANCE: $\geq 400M\Omega$
 RATED IMPULSE VOLTAGE: 6 KV
 POLLUTION DEGREE: 3
 FLAMMABILITY: UL94V-0
 MATING CYCLES: 500 CYCLES
 WIRE RANGE: 0.14-4 mm² (26-12 AWG)
 CONTACT TYPE: CRIMP CONTACT
 - CONTACT NEED TO BE ORDERED SEPARATELY.
 (ORDER No. T20300X20XX-000)

- 注释:
- 技术参数:
 绝缘材料: PC
 额定电压: 500V
 额定电流: 16A
 绝缘电阻: $\geq 400M\Omega$
 额定脉冲电压: 6 KV
 污染等级: 3
 阻燃等级: UL94V-0
 插拔次数: 500次
 接线范围: 0.14-4 mm² (26-12 AWG)
 接线类型: 冷压接
 - 端子需要单独订购。
 (订货号 T20300X20XX-000)

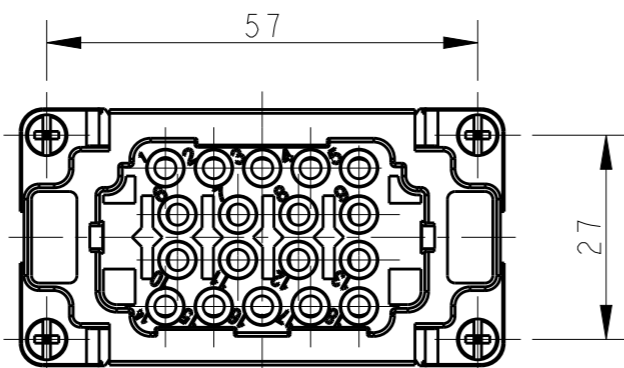
4X M3 SCREW, RECOMMENDED
 TIGHTENING TORQUE 0.5Nm
 4X M3螺丝, 推荐锁紧力矩0.5Nm



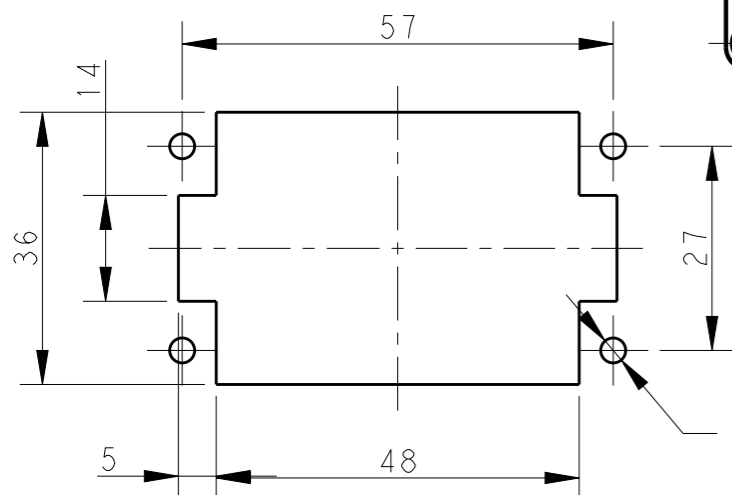
M4 SCREW, RECOMMENDED
 TIGHTENING TORQUE 1.2Nm
 M4螺丝, 推荐锁紧力矩1.2Nm



DETAIL A



DETAIL A
 SCALE 4:1



PANEL CUT FOR INSERTS FOR USING
 WITHOUT HOODS/ HOUSINGS
 不使用防护外壳时芯件的安装开孔图

THIS DRAWING IS A CONTROLLED DOCUMENT.		DWN DAVID LI 10MAR2015	TE Connectivity	
		CHK CHRIS WANG 10MAR2015		
		APVD XU XIANG 10MAR2015	NAME HEE-018-F	
DIMENSIONS: mm		PRODUCT SPEC 108-106137		
TOLERANCES UNLESS OTHERWISE SPECIFIED:		APPLICATION SPEC 114-106137		
0 PLC ±- 1 PLC ±- 2 PLC ±- 3 PLC ±- 4 PLC ±- ANGLES ±-		WEIGHT -	SIZE A3	RESTRICTED TO -
MATERIAL -		FINISH -	CAGE CODE -	DRAWING NO. T2050182201000
		CUSTOMER DRAWING	SCALE 1:1	SHEET 1 OF 3 REV B1

THIS DRAWING IS UNPUBLISHED.

RELEASED FOR PUBLICATION

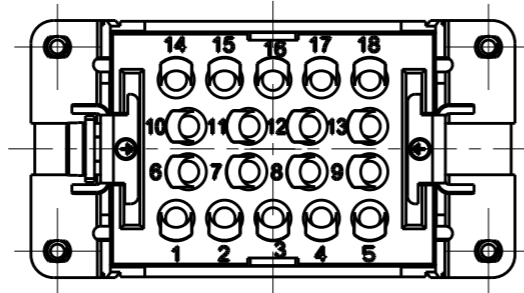
20

© COPYRIGHT 20 BY -

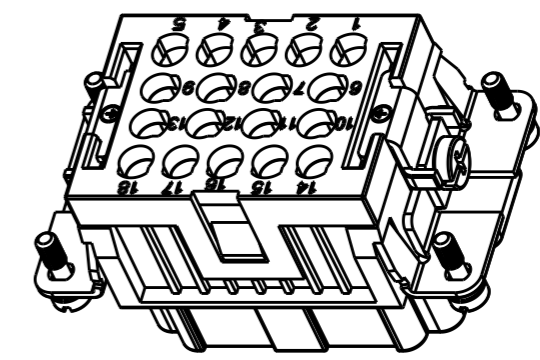
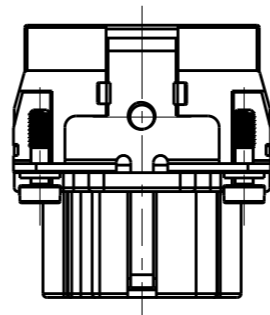
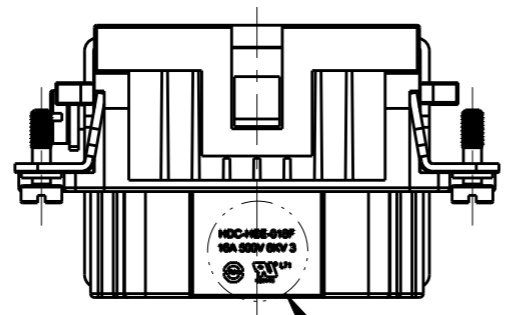
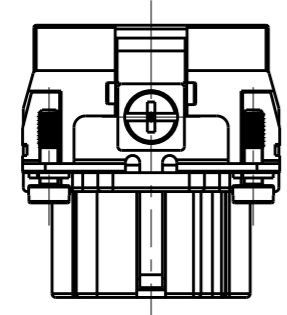
ALL RIGHTS RESERVED.

REVISIONS

P	LTR	DESCRIPTION	DATE	DWN	APVD
-		SEE SHEET 1	-	-	-

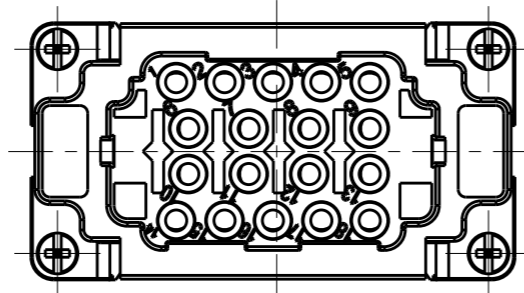


NOTE:
SEE SHEET 1
注释:
见页 1



DETAIL B

TYPE-2, T2059182201-000, NO TE LOGO
类型-2, T2059182201-000, 无TE LOGO



HDC-HEE-018F
16A 500V 6KV 3

ALL SPEC DIMENSION REFER TO TYPE 1
所有产品规格尺寸参照 TYPE 1

DETAIL B
SCALE 4:1

THIS DRAWING IS A CONTROLLED DOCUMENT.		DWN DAVID LI 10MAR2015		
		CHK CHRIS WANG 10MAR2015		
		APVD XU XIANG 10MAR2015	NAME HEE-018-F	
DIMENSIONS: mm		PRODUCT SPEC 108-106137	RESTRICTED TO	
TOLERANCES UNLESS OTHERWISE SPECIFIED:		APPLICATION SPEC 114-106137	SIZE A3	CAGE CODE -
0 PLC ±-		WEIGHT -	DRAWING NO. ©-T2050182201000	
1 PLC ±-		SCALE 1:1 SHEET 2 OF 3 REV B1		
2 PLC ±-				
3 PLC ±-				
4 PLC ±-				
ANGLES ±-				
MATERIAL -		CUSTOMER DRAWING		
FINISH -				

THIS DRAWING IS UNPUBLISHED.

RELEASED FOR PUBLICATION

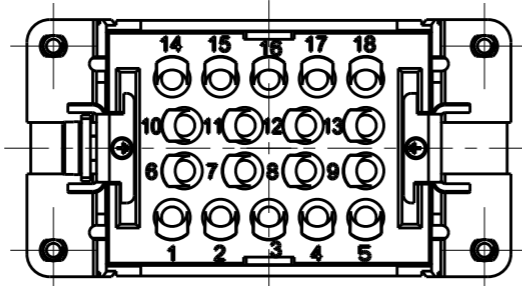
20

© COPYRIGHT 20 BY -

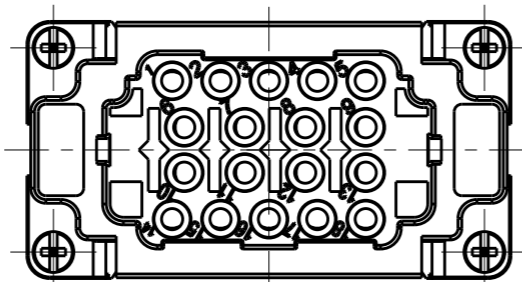
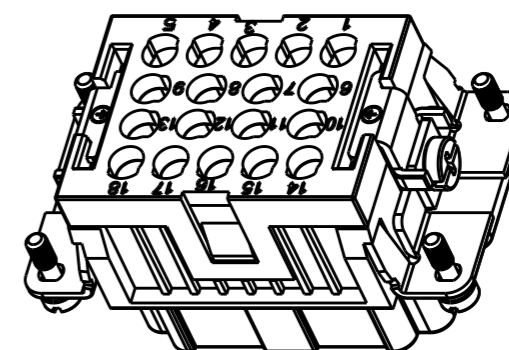
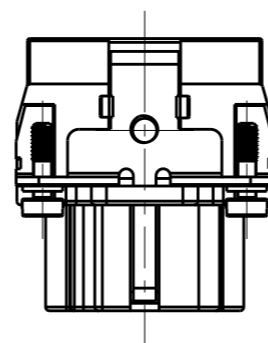
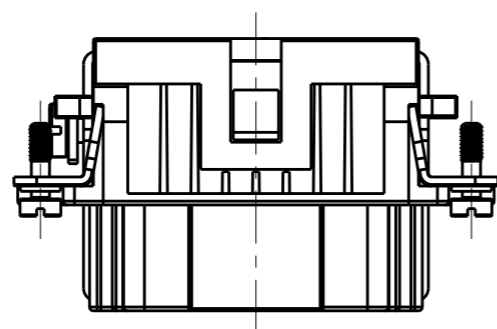
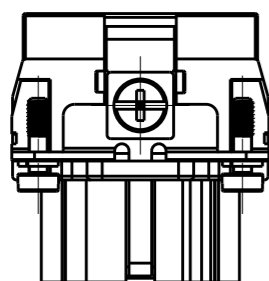
ALL RIGHTS RESERVED.

REVISIONS

P	LTR	DESCRIPTION	DATE	DWN	APVD
-		SEE SHEET 1	-	-	-




NOTE:
SEE SHEET 1
注释:
见页 1



TYPE-3, T2050182201-001, STAINLESS STEEL SCREW, NO LOGO
类型-3, T2050182201-001, 不锈钢螺丝, 无LOGO

ALL SPEC DIMENSION REFER TO TYPE 1
所有产品规格尺寸参照 TYPE 1

T2050182201-001	HEE-018-F	HEE-018 FEMALE INSERT, STAINLESS STEEL SCREW, NO LOGO HEE-018 母插, 不锈钢螺丝, 无LOGO	TYPE-3 类型-3
T2059182201-000	HEE-018-F	HEE-018 FEMALE INSERT, NO TE LOGO HEE-018 母插, 无TE LOGO	TYPE-2 类型-2
T2050182201-000	HEE-018-F	HEE-018 FEMALE INSERT HEE-018 母插	TYPE-1 类型-1
PART NUMBER 料号	PART DESCRIPTION 描述		TYPE 类型

THIS DRAWING IS A CONTROLLED DOCUMENT.		DWN DAVID LI 10MAR2015	 TE Connectivity	
DIMENSIONS: mm		CHK CHRIS WANG 10MAR2015		
TOLERANCES UNLESS OTHERWISE SPECIFIED:		APVD XU XIANG 10MAR2015	NAME HEE-018-F	
0 PLC ±-		PRODUCT SPEC 108-106137	SIZE A3	
1 PLC ±-		APPLICATION SPEC 114-106137	CAGE CODE -	
2 PLC ±-		WEIGHT -	DRAWING NO T2050182201000	
3 PLC ±-		CUSTOMER DRAWING	RESTRICTED TO -	
4 PLC ±-			SCALE 1:1	
ANGLES ±-		SHEET 3 OF 3		REV B1
FINISH				
MATERIAL				