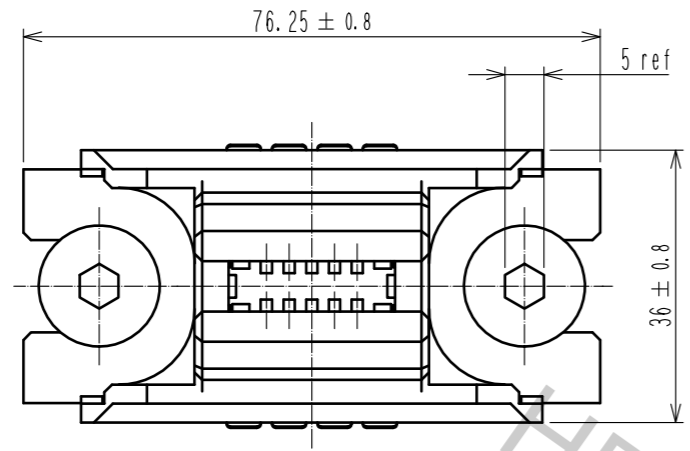
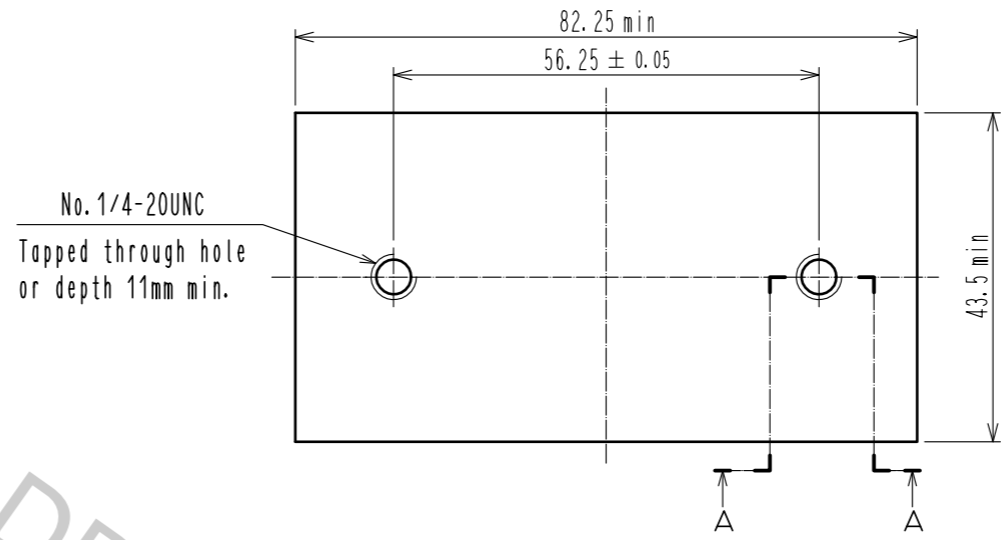


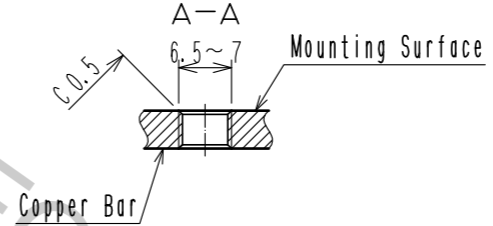
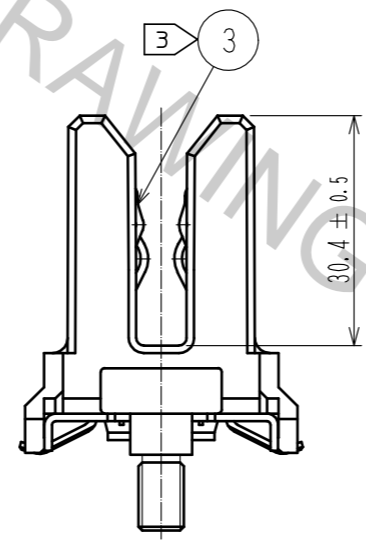
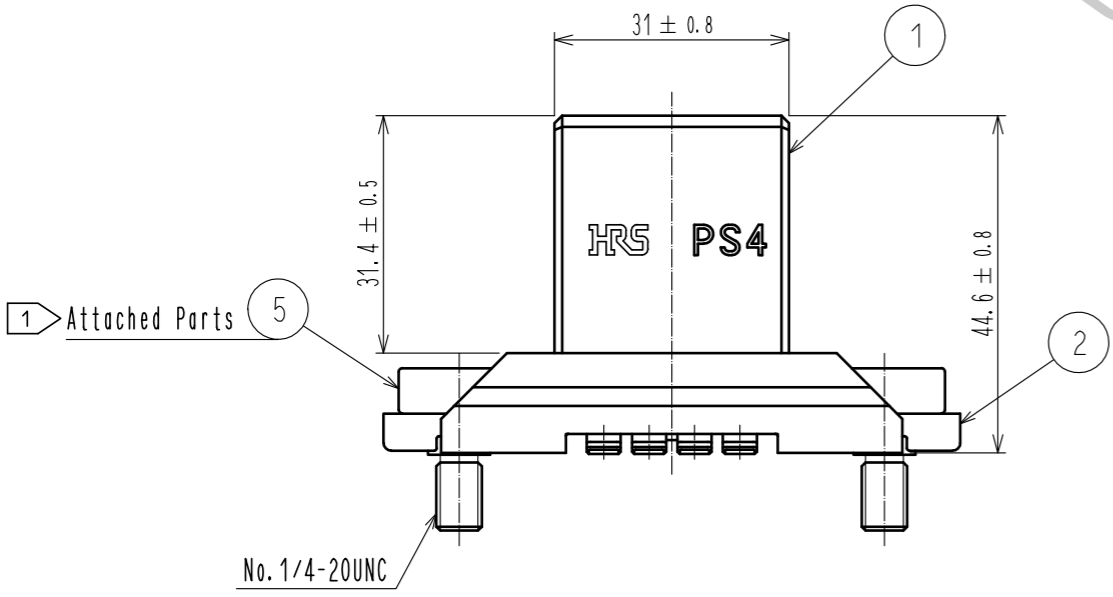
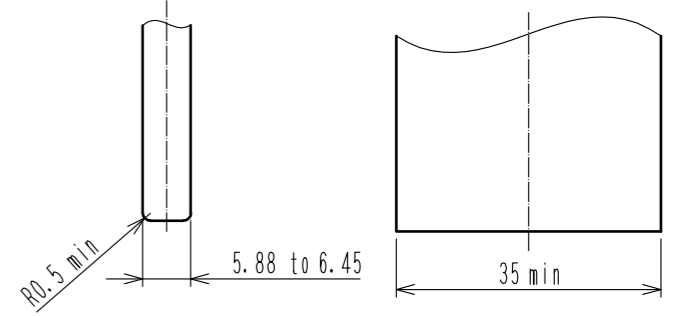
Apr.1.2017 Copyright 2017 HIROSE ELECTRIC CO., LTD. All Rights Reserved.



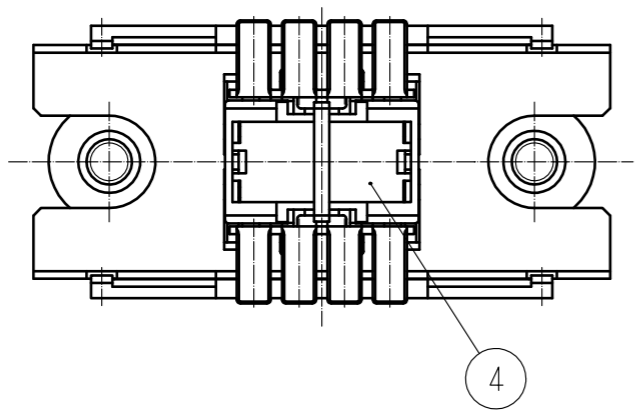
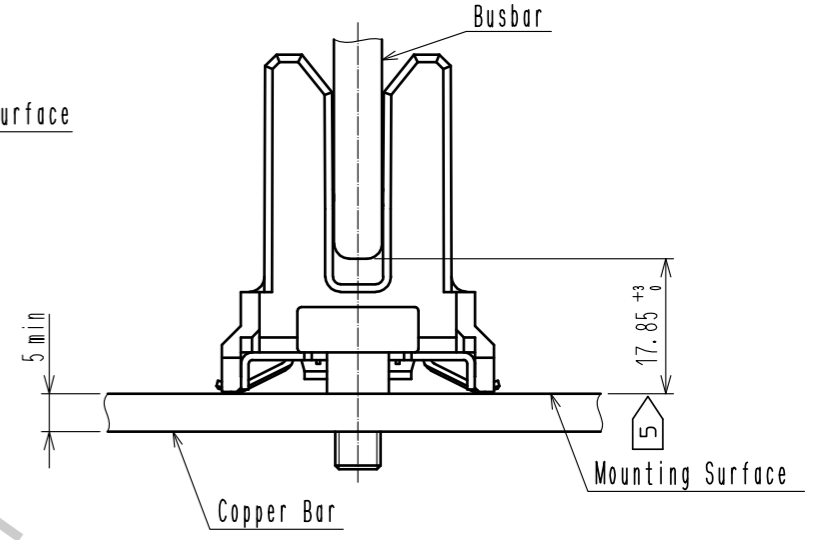
Copper bar Dimensions
(connector mounting bar)



Busbar Dimensions
(mating busbar)



View Of Mounting State



- Notes
- ① The recommended tightening torque for the Ref No.5 is 5 N·m.
 - ② This product has floating range of ±2mm from the center of the connector.
 - ③ There are some cases that plating color of Ref No.3 may change from silver to blackish brown due to chemical reaction by sulfure in the atmosphere.
 - ④ Busbar and copper bar shall be either silver plating.
 - ⑤ The recommended distance between installation site and tip of busbar shall be 17.85⁺³mm.

2	Stainless Steel		5	Steel	Nickel Plating : 2μm min
1	PBT	Black. UL94V-0	4	PBT	Black. UL94V-0
			3	Copper Alloy	Silver Plating : 2μm min
NO.	MATERIAL	FINISH . REMARKS	NO.	MATERIAL	FINISH . REMARKS
UNITS mm		SCALE 1 : 1	COUNT 1	DESCRIPTION OF REVISIONS DIS-E-00000752	DESIGNED MO. SHIMUYAMA
HRS HIROSE ELECTRIC CO., LTD.		APPROVED : RI. TAKAYASU 15.12.16	DESIGNED : MO. SHIMUYAMA 15.12.15	CHECKED : NM. NISHIMATSU 15.12.15	DATE 16.11.15
		CHECKED : NM. NISHIMATSU 15.12.15	DESIGNED : MO. SHIMUYAMA 15.12.15	DRAWN : MO. SHIMUYAMA 15.12.15	
		DRAWN : MO. SHIMUYAMA 15.12.15			
			DRAWING NO. EDC-128870-00-00	PART NO. PS4A-6.35T	
			CODE NO. CL236-1018-0-00		