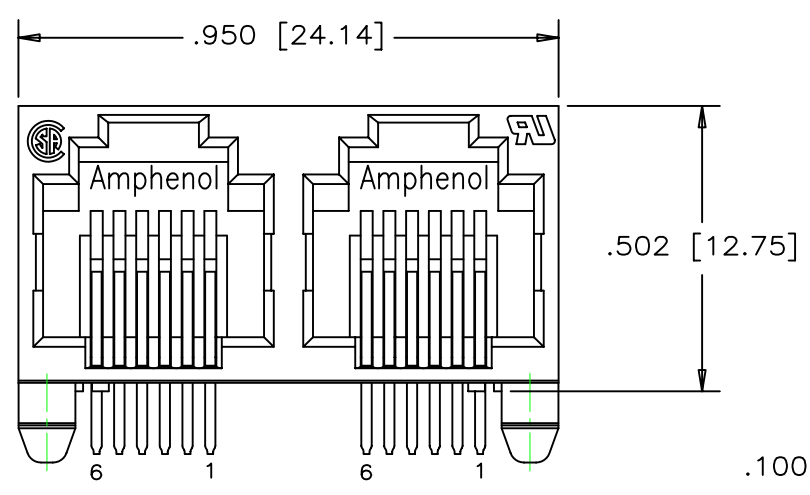
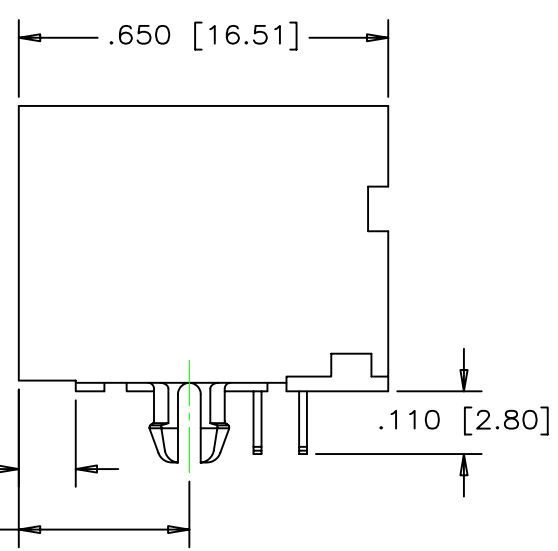


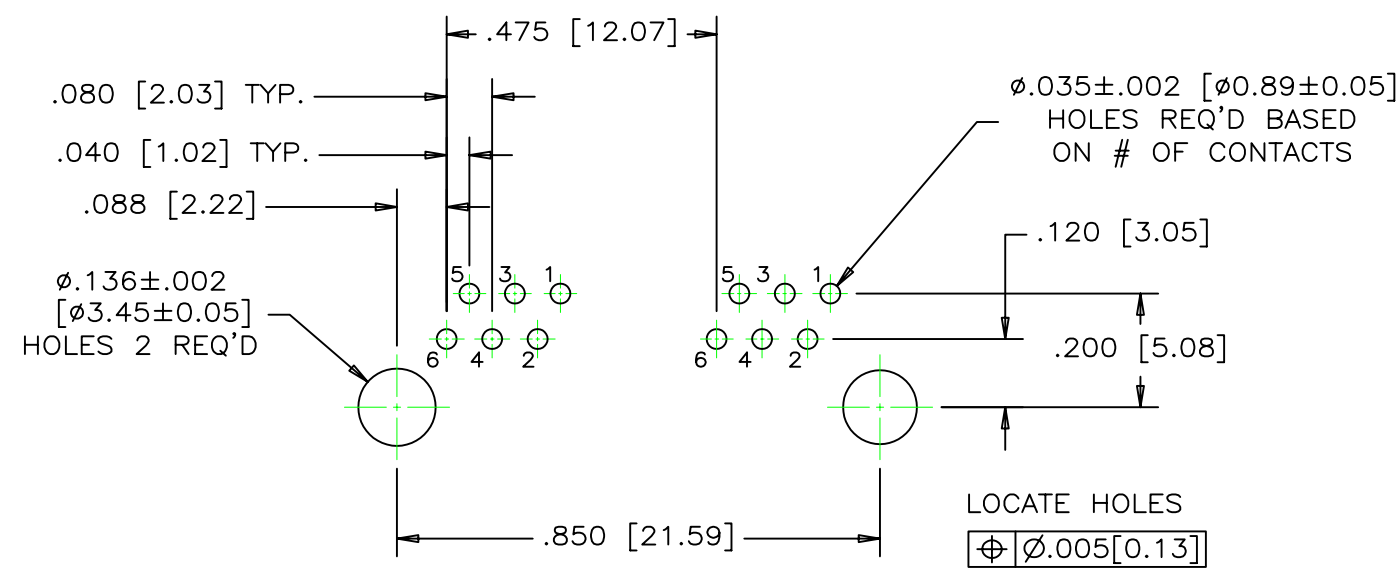
REVISIONS				
SYM	ZONE	ECN, ERN NO.	DATE	APPRD.
A		PROPOSAL	05/11/05	L.CHAN



FRONT VIEW



SIDE VIEW



RECOMMENDED P.C.B. LAYOUT

LOCATE HOLES
 $\varnothing \pm 0.005 [0.13]$
 POSITION DIMENSIONS ARE BASIC

MATERIALS:

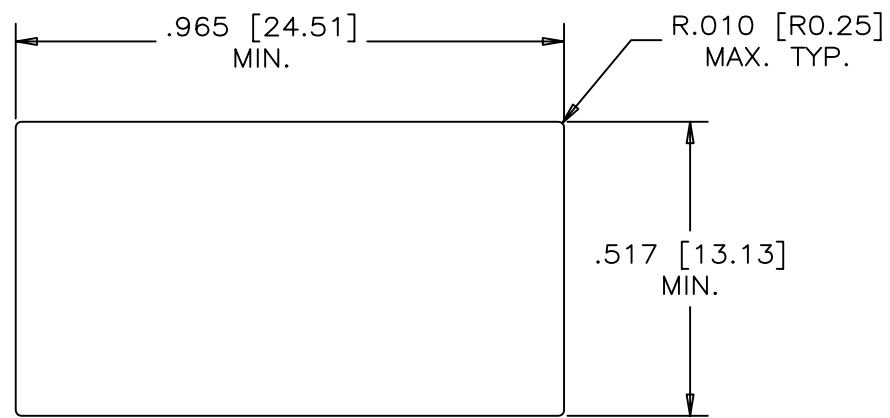
HOUSING: HIGH TEMPERATURE RESISTANT NYLON
 FLAMMABILITY RATING UL 94V-0
 SOLDER REFLOW PROCESS COMPATIBLE

CONTACTS:

PHOSPHOR BRONZE
 PLATING: 50 μ" [1.27 MICRONS]
 MIN. GOLD ON MATING SURFACES.
 50 μ" [1.27 MICRONS]
 MIN. NICKEL UNDERPLATE
 100 μ" [2.54 MICRONS]
 MIN. MATTE TIN ON CONTACT TAILS.

PART NUMBER: RJE01-660-02

CONTACTS:
 6 = 6 CONTACTS LOADED IN POSITION 1 TO 6.



RECOMMENDED PANEL CUTOUT

THIS DOCUMENT CONTAINS PROPRIETARY INFORMATION AND SUCH INFORMATION MAY NOT BE DISCLOSED TO OTHERS FOR ANY PURPOSE OR USED FOR MANUFACTURING PURPOSES WITHOUT WRITTEN PERMISSION FROM AMPHENOL CANADA CORP.

DRAWN PAULW	DATE 05/11/04	Amphenol Canada Corp.		
DESIGNED				
CHECKED CHIGOW	DATE 05/11/04	TITLE HIGH SPEED MODULAR JACK, 2 PORTS, EMI QUIET, 6 POSITION, 6 CONTACTS, UNSHIELDED - RoHS COMPLIANT		
I. E. APPRD.		DWG	DRAWING NO. P-RJE01-660-02	REV. A
Q. A. APPRD.				
DWG. APPRD.				
ENG. REL. NO.				
REF.				
DIMENSIONS ARE IN INCHES [mm]	CODE ID. NO. 03554	SCALE	WT. -----	SURF. -----
				SHEET 1 OF 1