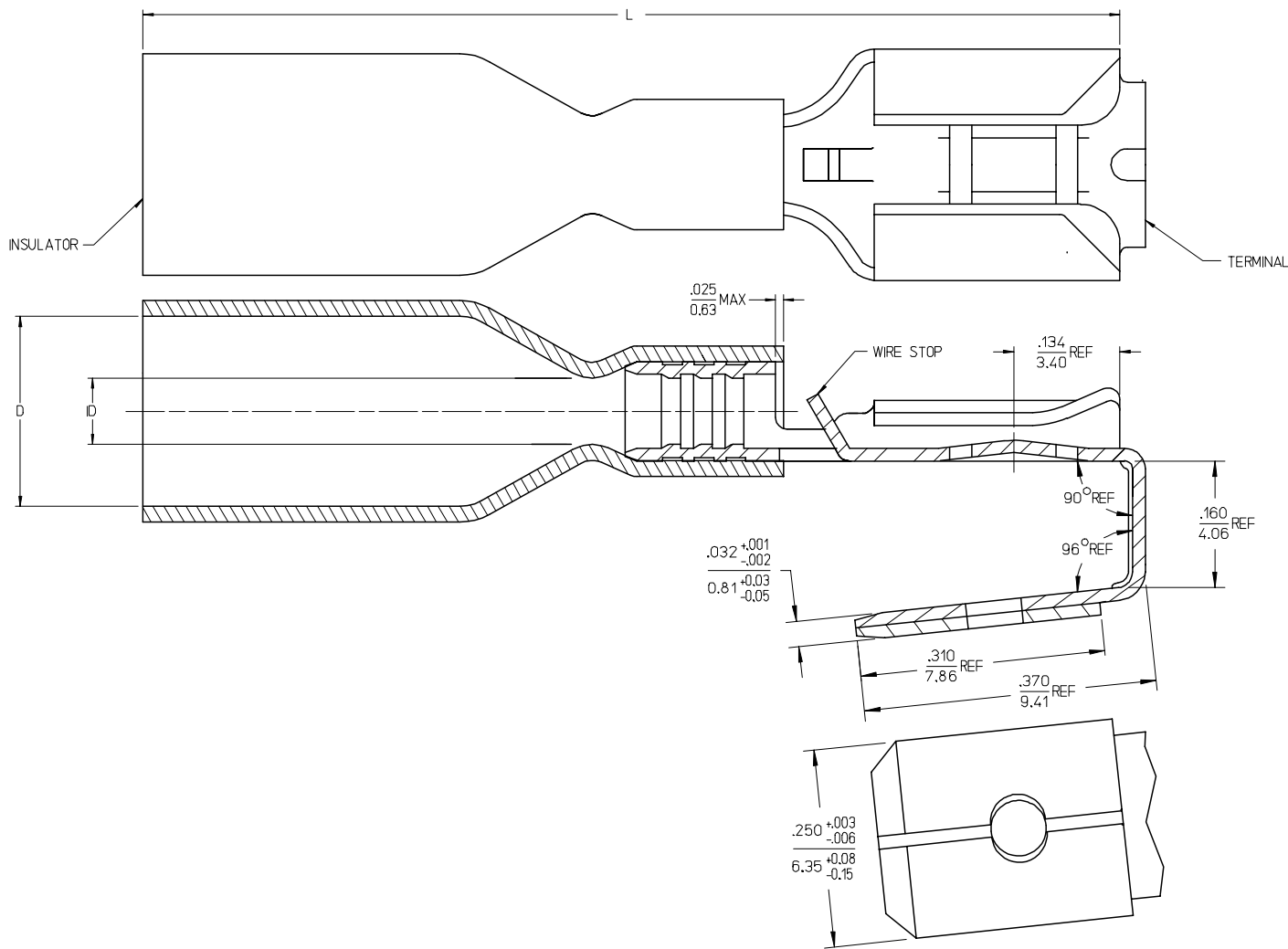


MATERIAL NO.	ENGINEERING NO.	WIRE SIZE	INSULATOR COLOR	ID MIN	D MIN	L MAX
191640989	19164-0989	16-14 AWG	BLUE	.080/2.03	.220/5.58	1.470/37.34
191640990	19164-0990	12-10 AWG	YELLOW	.150/3.81	.350/8.89	1.440/36.58



NOTES:

1. TERMINAL MATERIAL: BRASS
2. TERMINAL FINISH: TIN PLATED
3. INSULATOR MATERIAL: PERMA-SEAL NIAC
4. ASSEMBLY IS ROHS COMPLIANT.

REDRAWN & REVISED EC NO: ETC2007-0259 DRAWN BY: DRWNEHLE 2007/02/28 CHKD: IMACNEIL 2007/03/05 APPR: IMACNEIL 2007/03/05	QUALITY SYMBOLS 	GENERAL TOLERANCES (UNLESS SPECIFIED)		DIMENSION STYLE IN/MM		SCALE 10:1	DESIGN UNITS INCH	THIRD ANGLE PROJECTION	
		4 PLACES ± --- ± ---	mm	INCH	DRAWN BY	DATE	TITLE		
		3 PLACES ± --- ± ---			DLM	2003/06/13	PIGGYBACK QD, .250 X .032 TAB, PERMA-SEAL NIAC		
		2 PLACES ± --- ± ---			SB	2003/06/13	MOLEX INCORPORATED		
1 PLACE ± --- ± ---			APPROVED BY	DATE	DOCUMENT NO.		SHEET NO.		
		ANGULAR ± --- °	RWD	2003/06/13	SD-19164-053		1 OF 1		
DRAFT WHERE APPLICABLE MUST REMAIN WITHIN DIMENSIONS			SEE CHART		THIS DRAWING CONTAINS INFORMATION THAT IS PROPRIETARY TO MOLEX INCORPORATED AND SHOULD NOT BE USED WITHOUT WRITTEN PERMISSION				