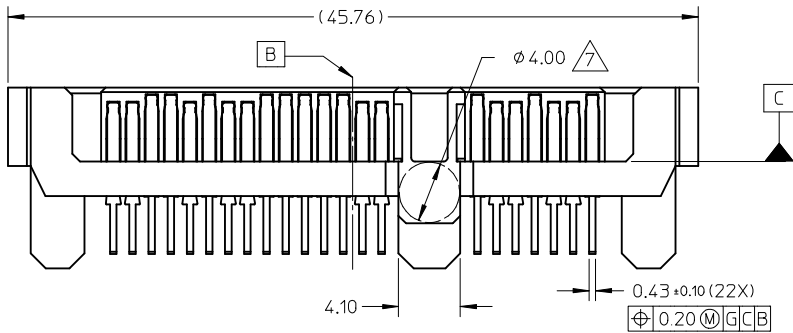
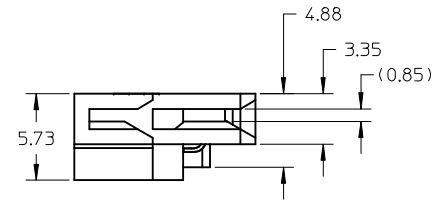
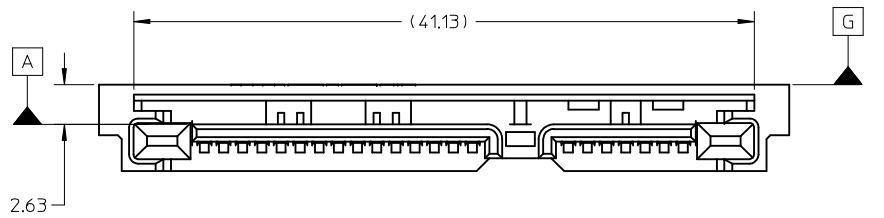
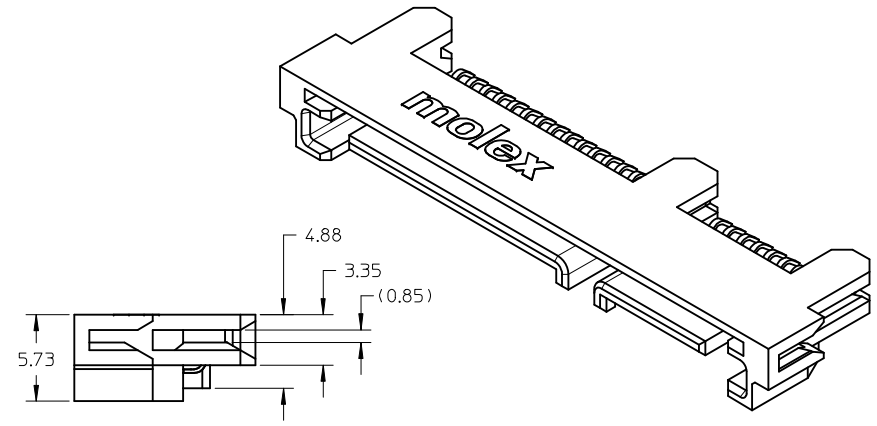
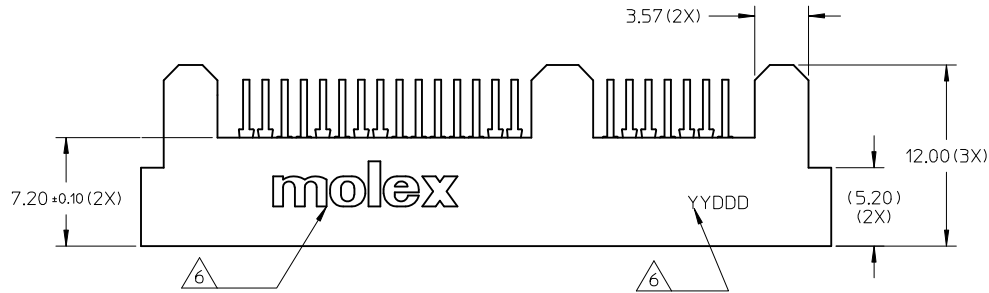


PART NUMBER	PACKAGING
78448-0001	TAPE & REEL
78448-0011	TRAY

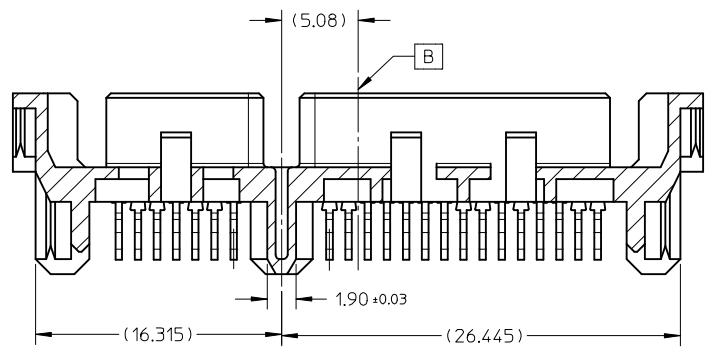


NOTES:

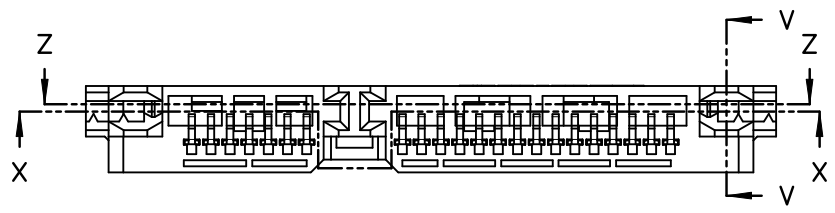
- MATERIALS:
HOUSING: LCP, UL94V-0, COLOR: BLACK
TERMINAL: COPPER ALLOY.
- FINISHES:
CONTACT: 0.76µM MIN. GOLD OVER 1.27µM MIN. NICKEL UNDERPLATE.
SOLDERTAIL: 2.54µM MIN. TIN OVER 1.27µM MIN. NICKEL UNDERPLATE.
- PRODUCT SPECIFICATION: PS-78448-001
- PACKAGING INFORMATION: SEE TABLE.
- MATES WITH: MOLEX SATA AND SAS RECEPTACLES SERIES
- MOLEX LOGO AND DATE CODE LOCATED APPROXIMATELY AS SHOWN.
- VACUUM PICKUP AREA.
- NON-FUNCTIONAL CORING MAY VARY.

SEE SHEET 3 EC NO: S2009-0651 DRWN:GMENARLY 2009/03/13 CHKD:CGOH 2009/03/13 APPR:BOKOK 2009/03/14	QUALITY SYMBOLS ▽=0 ∇=0	GENERAL TOLERANCES (UNLESS SPECIFIED)		DIMENSION STYLE MM ONLY		SCALE NTS	DESIGN UNITS METRIC	THIRD ANGLE PROJECTION	
			mm	INCH	DRAWN BY GMENARLY	DATE 2008/07/15	TITLE SERIAL ATA PLUG WITH LATCHING STRADDLE MOUNT		
		4 PLACES	± ---	± ---	CHECKED BY YKOH	DATE 2008/08/01	MOLEX INCORPORATED		
		3 PLACES	± ---	± ---	APPROVED BY BOKOK	DATE 2008/08/01	DOCUMENT NO. SD-78448-001		
			2 PLACES	± 0.20	± ---	SHEET NO. 1 OF 6			
			1 PLACE	± ---	± ---	THIS DRAWING CONTAINS INFORMATION THAT IS PROPRIETARY TO MOLEX INCORPORATED AND SHOULD NOT BE USED WITHOUT WRITTEN PERMISSION			
			ANGULAR ± 3 °						
			DRAFT WHERE APPLICABLE MUST REMAIN WITHIN DIMENSIONS						

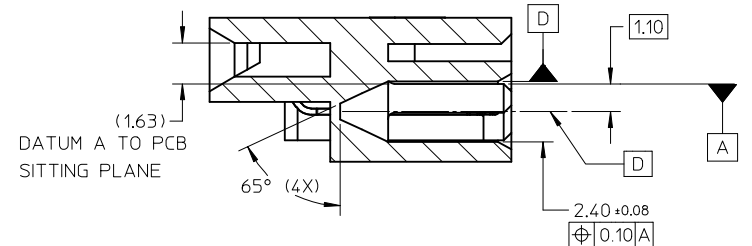
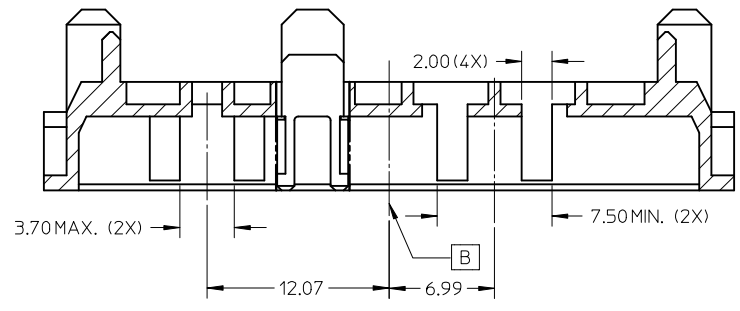
10 9 8 7 6 5 4 3 2 1



SECTION Z-Z



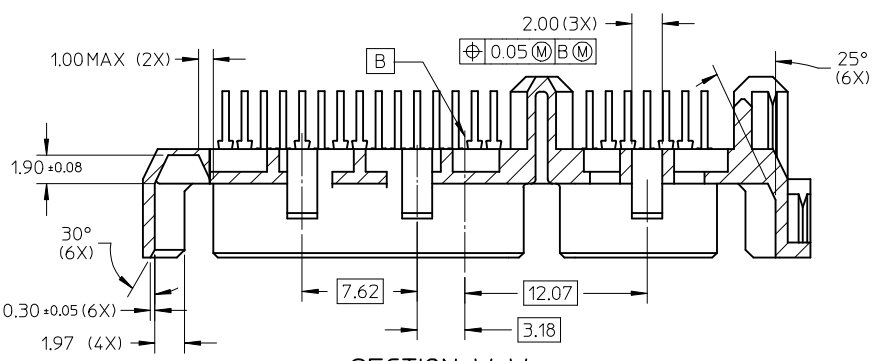
SECTION X-X



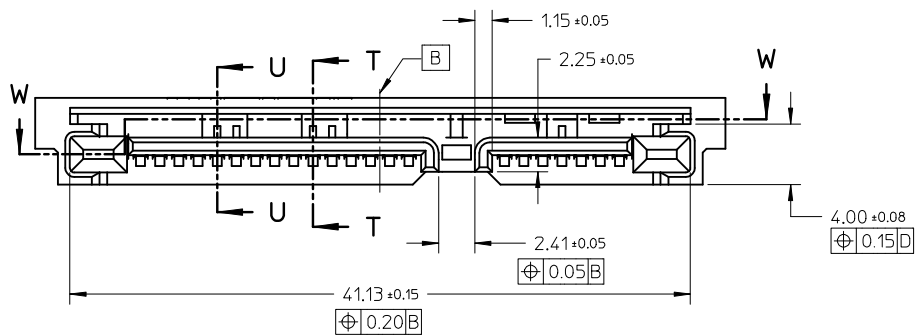
SECTION V-V

SEE SHEET 3 EC NO: S2009-0651 DRWN:GMENARLY 2009/03/13 CHKD:CGOH 2009/03/13 APPR:BOKOK 2009/03/14	DESCRIPTION REV	QUALITY SYMBOLS	GENERAL TOLERANCES (UNLESS SPECIFIED)	DIMENSION STYLE	SCALE	DESIGN UNITS	THIRD ANGLE PROJECTION	
		$\nabla = 0$ $\square = 0$	mm INCH 4 PLACES ± --- ± --- 3 PLACES ± --- ± --- 2 PLACES ± 0.20 ± --- 1 PLACE ± --- ± --- ANGULAR ± 3 °	MM ONLY	NTS	METRIC		
			DRAFT WHERE APPLICABLE MUST REMAIN WITHIN DIMENSIONS	DRAWN BY: GMENARLY DATE: 2008/07/15 CHECKED BY: YKOH DATE: 2008/08/01 APPROVED BY: BOKOK DATE: 2008/08/01 MATERIAL NO.	TITLE	SERIAL ATA PLUG WITH LATCHING STRADDLE MOUNT		
		A2		SEE TABLE SIZE A3	MOLEX INCORPORATED DOCUMENT NO. SD-78448-001 SHEET NO. 2 OF 6	THIS DRAWING CONTAINS INFORMATION THAT IS PROPRIETARY TO MOLEX INCORPORATED AND SHOULD NOT BE USED WITHOUT WRITTEN PERMISSION		

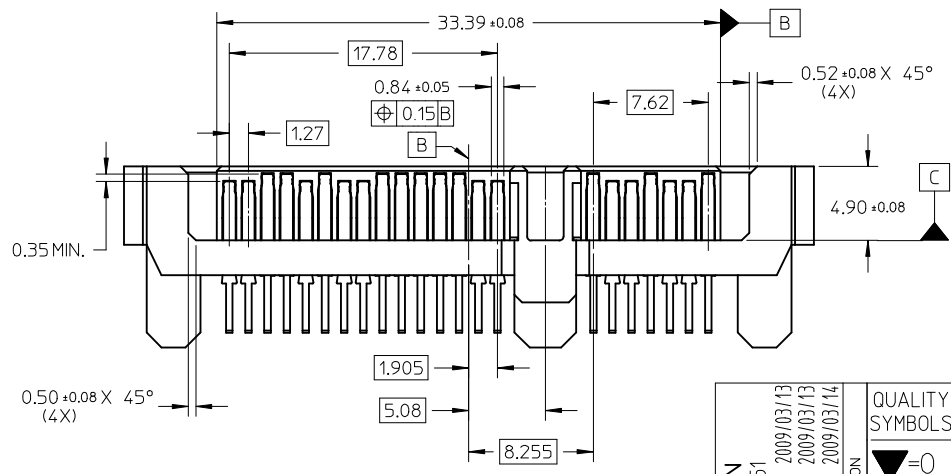
9 8 7 6 5 4 3 2 1



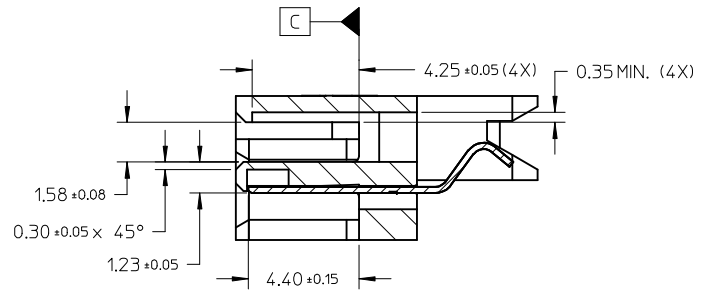
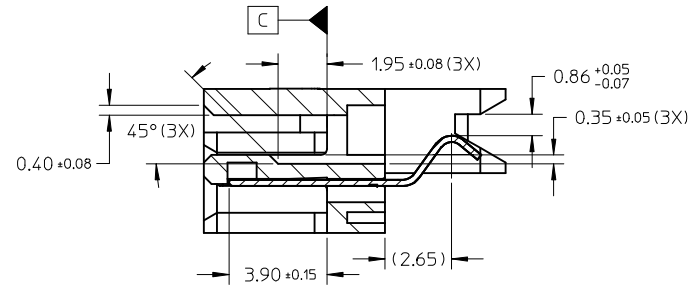
SECTION W-W



SECTION U-U



SECTION T-T



REV	DESCRIPTION	DATE	APPR	CHKD	DRWN	EC NO
A2	ADD DIMENSION	2009/03/13	BOKOK	CGOH	GMENARLY	S2009-0651
		2009/03/13				
		2009/03/14				

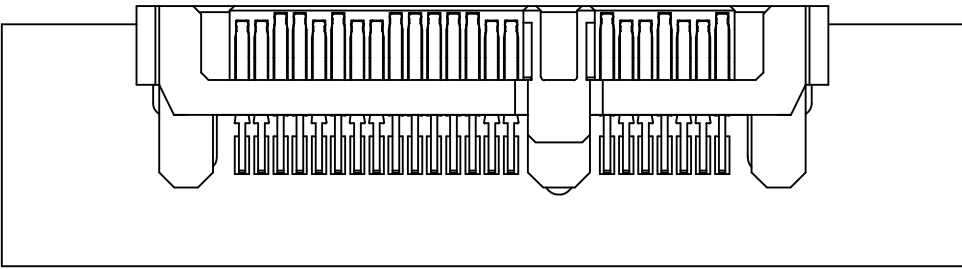
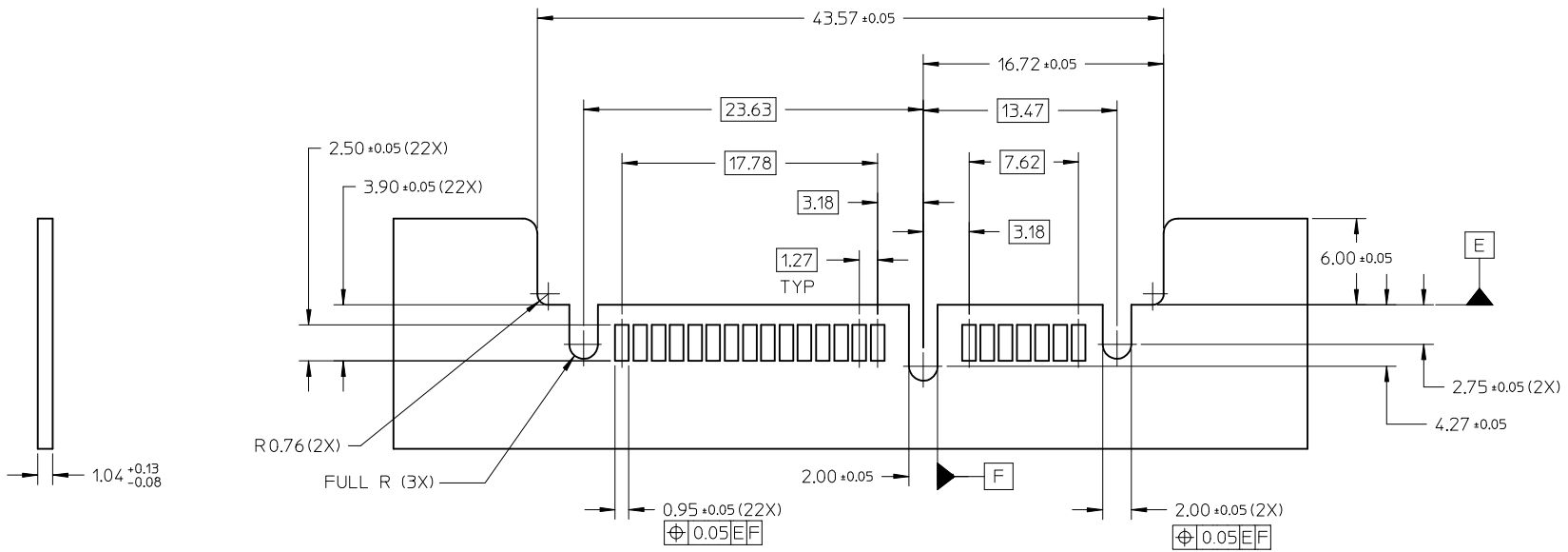
QUALITY SYMBOLS	
	= 0
	= 0.05

GENERAL TOLERANCES (UNLESS SPECIFIED)		
	mm	INCH
4 PLACES	± ---	± ---
3 PLACES	± ---	± ---
2 PLACES	± 0.20	± ---
1 PLACE	± ---	± ---
ANGULAR ± 3 °		

DIMENSION STYLE	
MM ONLY	
DRAWN BY	DATE
GMENARLY	2008/07/15
CHECKED BY	DATE
YKOH	2008/08/01
APPROVED BY	DATE
BOKOK	2008/08/01
MATERIAL NO.	
SEE TABLE	

SCALE	DESIGN UNITS	THIRD ANGLE PROJECTION	
NTS	METRIC		
TITLE			
SERIAL ATA PLUG WITH LATCHING STRADDLE MOUNT			
MOLEX INCORPORATED			SHEET NO.
DOCUMENT NO. SD-78448-001			3 OF 6

10 9 8 7 6 5 4 3 2 1



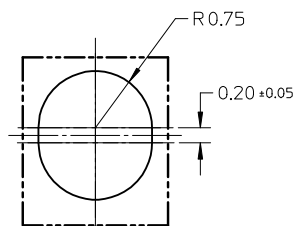
RECOMMENDED PCB LAYOUT

SEE SHEET 3 EC NO: S2009-0651 DRWN:GMENARLY 2009/03/13 CHKD:CGOH 2009/03/13 APPR:BOKOK 2009/03/14	QUALITY SYMBOLS	GENERAL TOLERANCES (UNLESS SPECIFIED)	DIMENSION STYLE	SCALE	DESIGN UNITS	THIRD ANGLE PROJECTION
	▽=0 Ⓢ=0	mm INCH 4 PLACES ± --- ± --- 3 PLACES ± --- ± --- 2 PLACES ± 0.20 ± --- 1 PLACE ± --- ± --- ANGULAR ± 3 °	MM ONLY	NTS	METRIC	☉ ▢ THIRD ANGLE PROJECTION
	DESCRIPTION	DRAFT WHERE APPLICABLE MUST REMAIN WITHIN DIMENSIONS	DRAWN BY: GMENARLY CHECKED BY: YKOH APPROVED BY: BOKOK MATERIAL NO.: SEE TABLE	DATE: 2008/07/15 DATE: 2008/08/01 DATE: 2008/08/01	TITLE: SERIAL ATA PLUG WITH LATCHING STRADDLE MOUNT MOLEX INCORPORATED	
	REV		SIZE: A3	THIS DRAWING CONTAINS INFORMATION THAT IS PROPRIETARY TO MOLEX INCORPORATED AND SHOULD NOT BE USED WITHOUT WRITTEN PERMISSION		DOCUMENT NO.: SD-78448-001 SHEET NO.: 4 OF 6

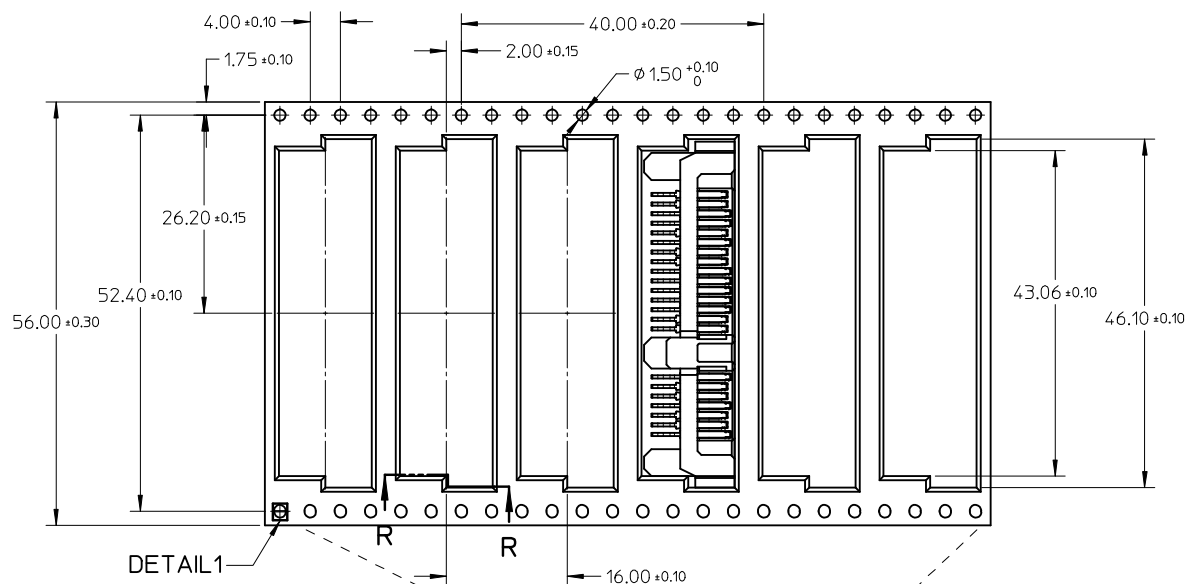
9 8 7 6 5 4 3 2 1

PACKAGING INFORMATION

PART ORIENTATION IN TAPE & REEL

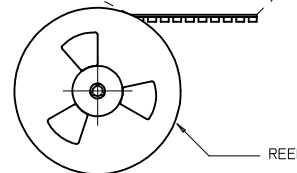
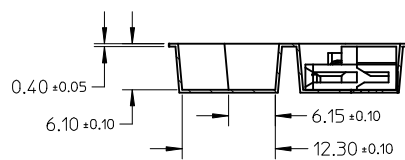


DETAIL1



DETAIL1

PARTIAL1 OF SECTION R-R

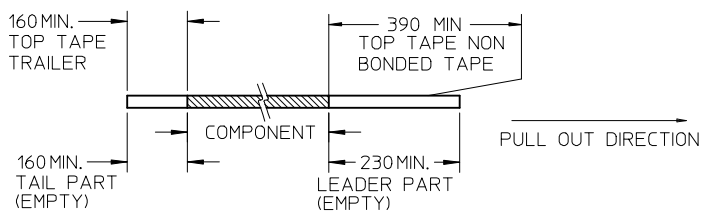


PULL OUT DIRECTION

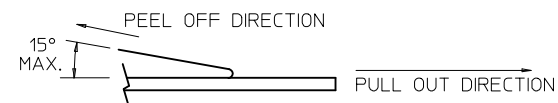


NOTES:

1. LEADER AND TRAILER TAPE

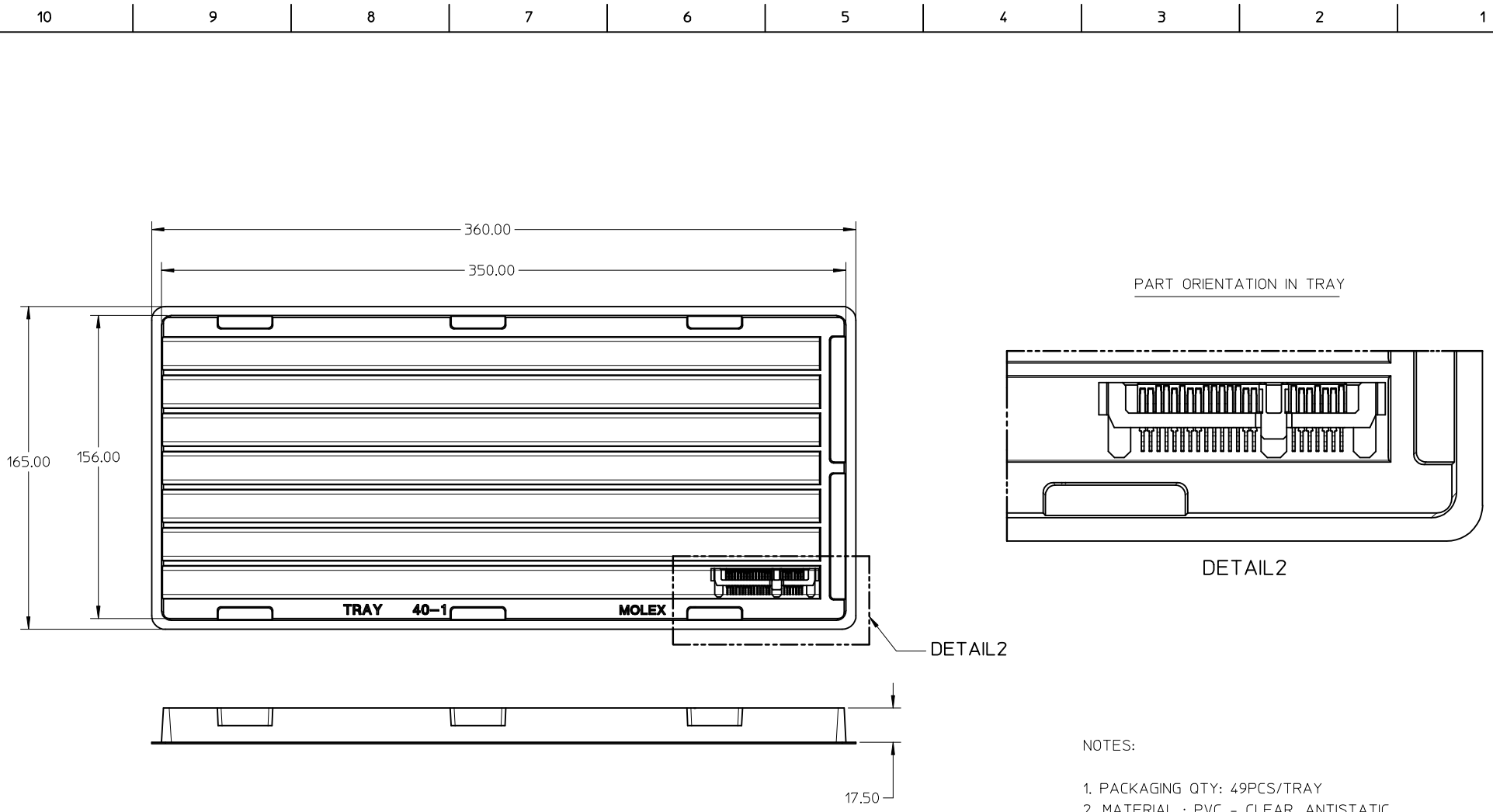


2. PEELING OFF FORCE OF THE TOP TAPE: 20 - 80gf. (PEELING DIRECTION AS SHOWN IN FOLLOWING FIGURE)



- 3. TAPE AND REEL SPECIFICATION IS AS PER EIA-481.
- 4. TAPE AND REEL QUANTITY : 650 PCS/ REEL.
- 5. THE TAPE IS TREATED FOR ANTI-STATIC.

SEE SHEET 3 EC NO: S2009-0651 DRWN:GMENARLY 2009/03/13 CHKD:CGOH 2009/03/13 APPR:BOKOK 2009/03/14	QUALITY SYMBOLS	GENERAL TOLERANCES (UNLESS SPECIFIED)	DIMENSION STYLE	SCALE	DESIGN UNITS	THIRD ANGLE PROJECTION	
	▼=0 ◻=0	mm INCH 4 PLACES ± --- ± --- 3 PLACES ± --- ± --- 2 PLACES ± 0.20 ± --- 1 PLACE ± --- ± --- ANGULAR ± 3 °	MM ONLY	NTS	METRIC		
	DESCRIPTION	DRAFT WHERE APPLICABLE MUST REMAIN WITHIN DIMENSIONS	DRAWN BY: GMENARLY CHECKED BY: YKOH APPROVED BY: BOKOK	DATE: 2008/07/15 DATE: 2008/08/01 DATE: 2008/08/01	TITLE: SERIAL ATA PLUG WITH LATCHING STRADDLE MOUNT		
	REV: A2		MATERIAL NO.	SEE TABLE	DOCUMENT NO.	MOLEX INCORPORATED SD-78448-001	
			SIZE: A3	THIS DRAWING CONTAINS INFORMATION THAT IS PROPRIETARY TO MOLEX INCORPORATED AND SHOULD NOT BE USED WITHOUT WRITTEN PERMISSION			SHEET NO. 5 OF 6



- NOTES:
1. PACKAGING QTY: 49PCS/TRAY
 2. MATERIAL : PVC - CLEAR, ANTISTATIC

SEE SHEET 3 EC NO: S2009-0651 DRWN:GMENARLY 2009/03/13 CHKD:CGOH 2009/03/13 APPR:BOKOK 2009/03/14	DESCRIPTION REV	QUALITY SYMBOLS	GENERAL TOLERANCES (UNLESS SPECIFIED) <table border="1"> <tr> <td></td> <td>mm</td> <td>INCH</td> </tr> <tr> <td>4 PLACES</td> <td>± ---</td> <td>± ---</td> </tr> <tr> <td>3 PLACES</td> <td>± ---</td> <td>± ---</td> </tr> <tr> <td>2 PLACES</td> <td>± 0.20</td> <td>± ---</td> </tr> <tr> <td>1 PLACE</td> <td>± ---</td> <td>± ---</td> </tr> </table>		mm	INCH	4 PLACES	± ---	± ---	3 PLACES	± ---	± ---	2 PLACES	± 0.20	± ---	1 PLACE	± ---	± ---	DIMENSION STYLE	SCALE	DESIGN UNITS	THIRD ANGLE PROJECTION
				mm	INCH																	
		4 PLACES		± ---	± ---																	
		3 PLACES		± ---	± ---																	
2 PLACES	± 0.20	± ---																				
1 PLACE	± ---	± ---																				
$\nabla = 0$ $\sphericalangle = 0$	MM ONLY	NTS	METRIC																			
DRAFT WHERE APPLICABLE MUST REMAIN WITHIN DIMENSIONS	DRAWN BY: GMENARLY CHECKED BY: YKOH APPROVED BY: BOKOK	DATE: 2008/07/15 DATE: 2008/08/01 DATE: 2008/08/01	TITLE: SERIAL ATA PLUG WITH LATCHING STRADDLE MOUNT MOLEX INCORPORATED																			
SIZE: A3 THIS DRAWING CONTAINS INFORMATION THAT IS PROPRIETARY TO MOLEX INCORPORATED AND SHOULD NOT BE USED WITHOUT WRITTEN PERMISSION	MATERIAL NO.: SEE TABLE DOCUMENT NO.: SD-78448-001	SHEET NO.: 6 OF 6																				