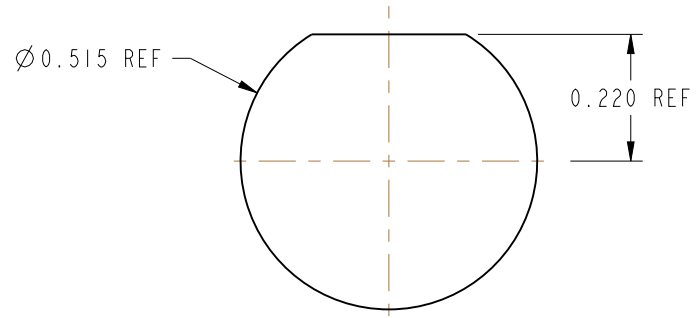


NOTES:

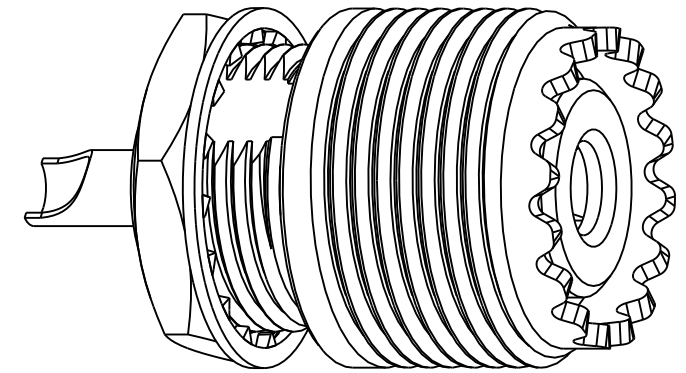
1. MATERIALS AND FINISHES:
 BODY - BRASS, NICKEL PLATING
 CONTACT - BRASS, SILVER PLATING
 RETAINING RING - PHOSPHOR BRONZE, NICKEL PLATING
 LOCK WASHER - STAINLESS STEEL, PASSIVATED
 HEX NUT - BRASS, NICKEL PLATED
 INSULATOR - PTFE
 INSULATOR - COPOLYMER OF STYRENE
2. ELECTRICAL:
 A. IMPEDANCE: 50 OHM
3. MECHANICAL:
 A. DURABILITY: 500 CYCLES MIN.
4. PACKAGING:
 A. QUANTITY: SINGLE PACK
 B. MARKING: BAG TO BE MARKED
 "AMPHENOLRF, 83-875, AND DATE CODE"

83-875		REVISIONS			
DRAWING NO.	REV	DESCRIPTION	DATE	ECO	APPR
THIRD ANGLE PROJ.	--	RELEASE TO MFG.	-----	-----	-----
	R	ADD COD & CHANGED LOCKWASHER	6/8/12	49118	CPM
	T	CORRECTED ECO#	12/17/12	49365	CPM

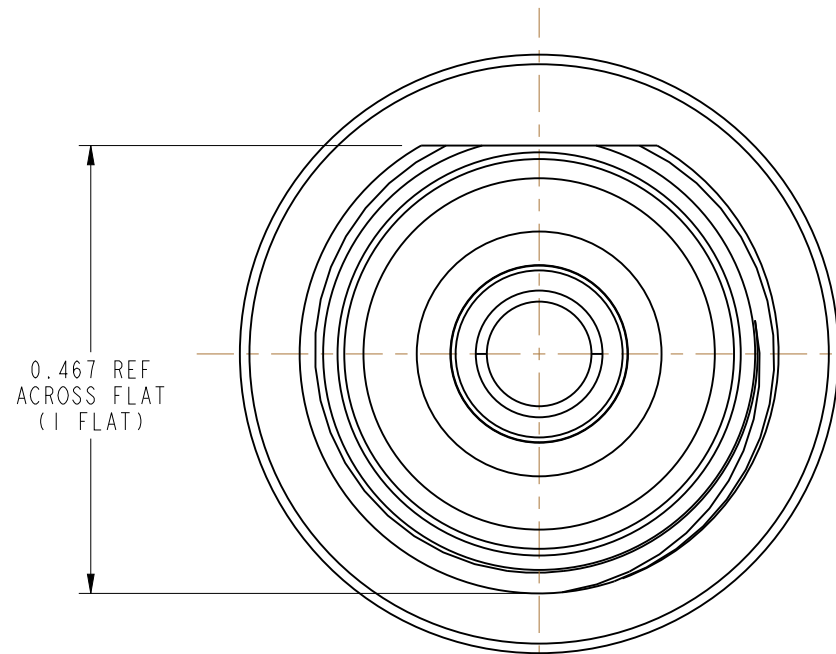


SCALE 3.000

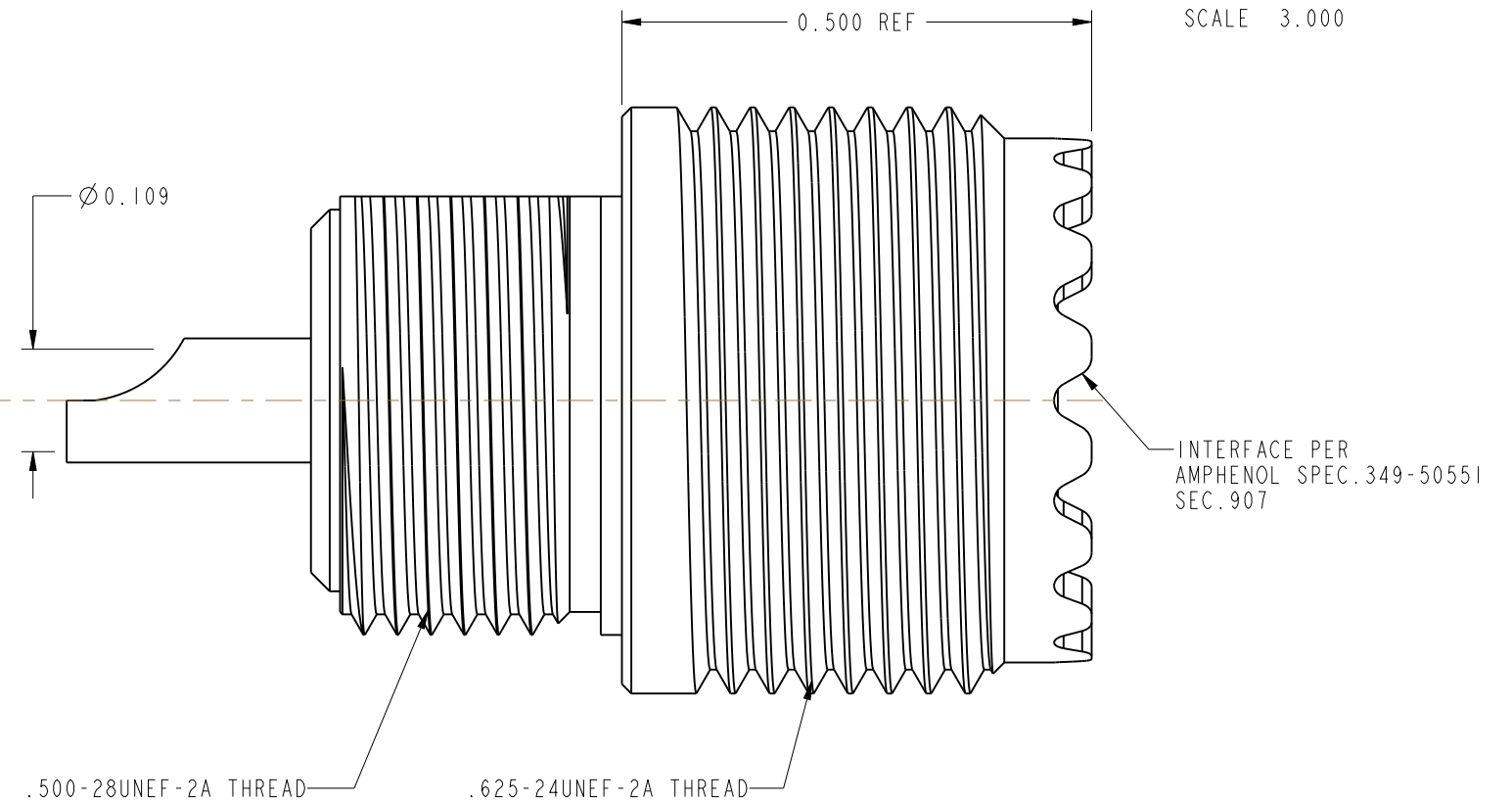
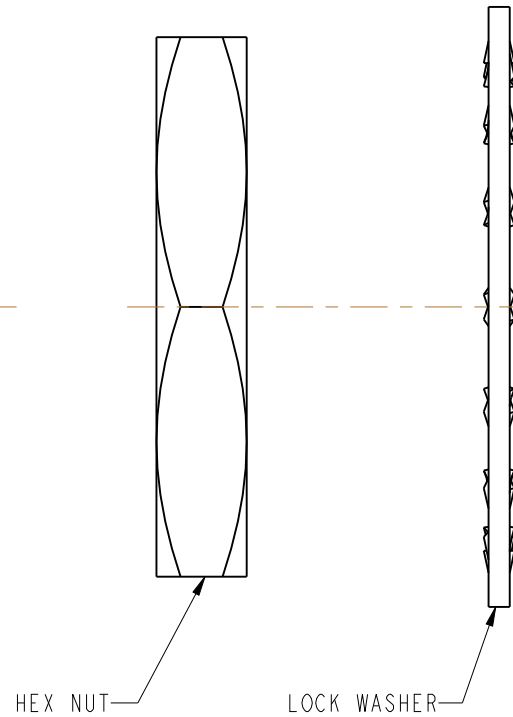
RECOMMENDED MOUNTING HOLE DIMENSIONS



SCALE 3.000



VIEW DOES NOT SHOW LOCK WASHER AND HEX NUT



CUSTOMER OUTLINE DRAWING
 ALL OTHER SHEETS ARE FOR INTERNAL USE ONLY

UNLESS OTHERWISE SPECIFIED, DIMENSIONS ARE IN INCHES AND TOLERANCES ARE: 2 PLACE DECIMAL ±.015 (0,381 mm) 3 PLACE DECIMAL ±.005 (0,127 mm) ANGLES ± 1°	MATERIAL SEE NOTES	DRAWN C. McGRATH	DATE 6/1/12	TITLE UHF RECEPTACLE	Amphenol RF Danbury, CT, USA Tainan, Taiwan Shenzhen, China www.amphenolrf.com
	REFERENCE	ENGINEER K. CAPOZZI	DATE 6/1/12		
NOTICE - These drawings, specifications, or other data (1) are, and remain the property of Amphenol Corp. (2) must be returned upon request; and (3) are confidential and not to be disclosed to any person other than those to whom they are given by Amphenol Corp. The furnishing of these drawings, specifications, or other data by Amphenol Corp., or to any other person to anyone for any purpose is not to be regarded by implication or otherwise in any manner licensing, granting rights or permitting such holder or any other person to manufacture, use or sell any product, process or design, patented or otherwise, that may in any way be related to or disclosed by said drawings, specifications, or other data.		APPROVED	DATE		SCALE: 5.0:1
		CAD FILE	CODE ID 74868	DWG SIZE B	DRAWING NO. 83-875