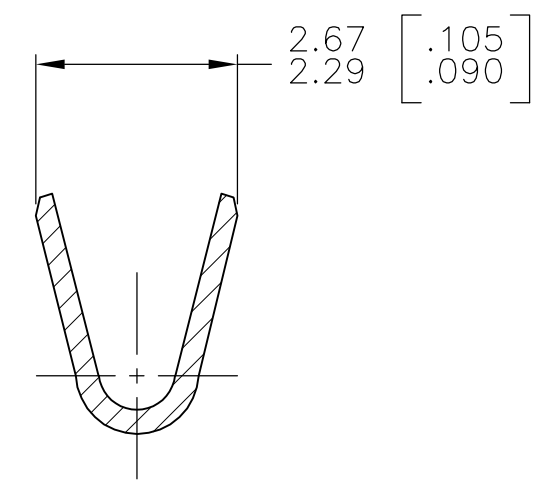
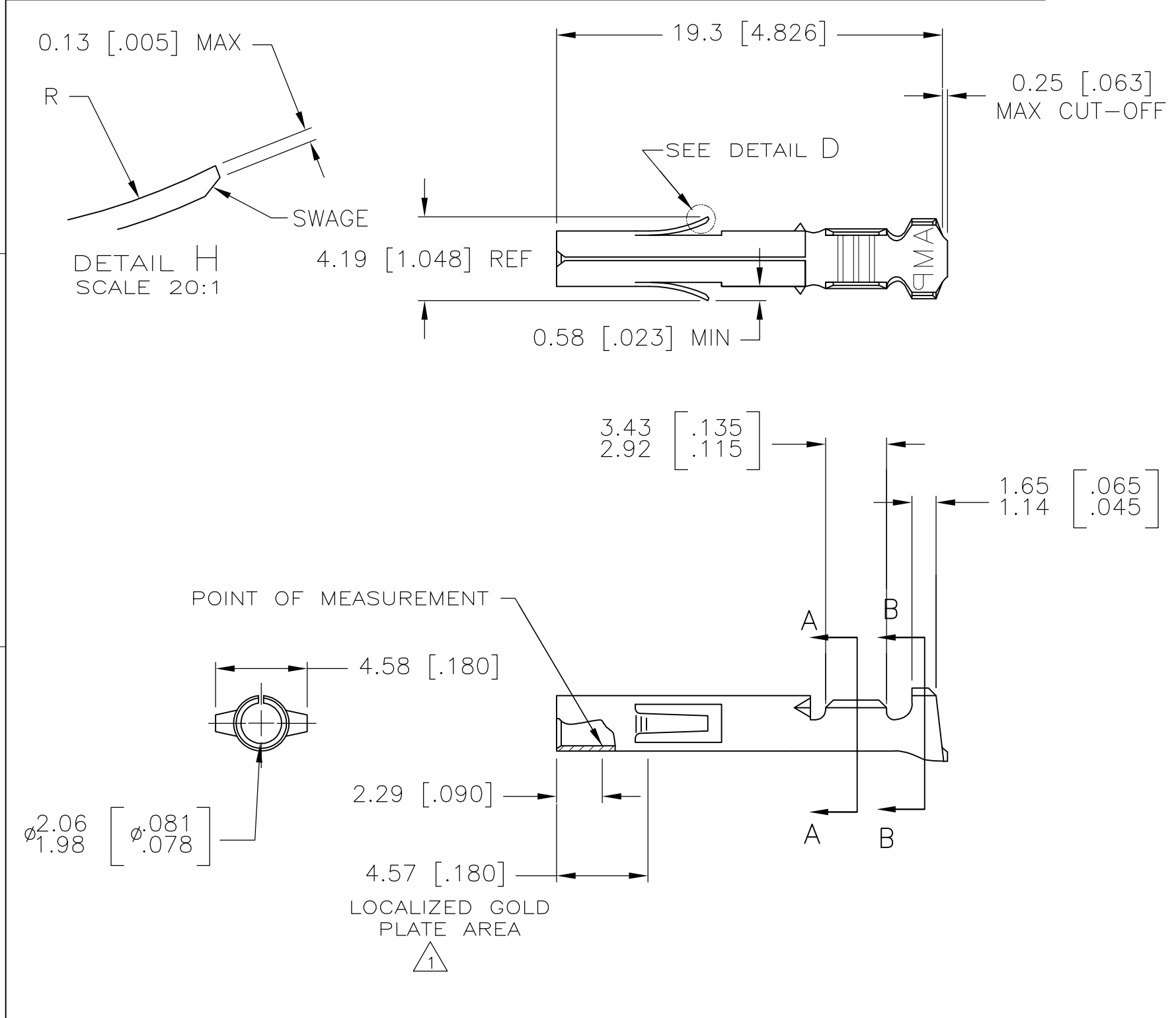
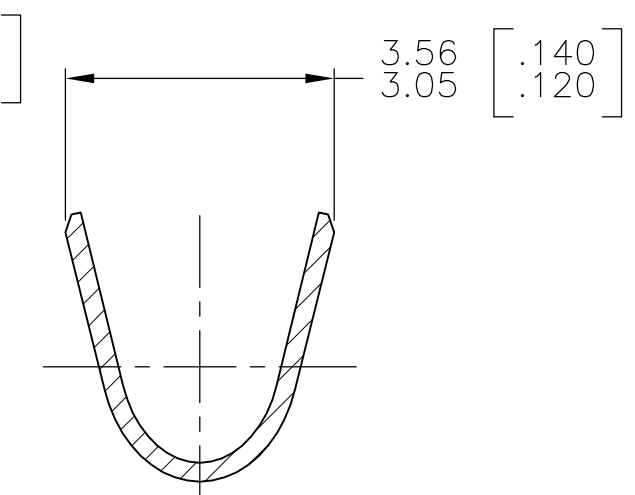


THIS DRAWING IS UNPUBLISHED. RELEASED FOR PUBLICATION
 © COPYRIGHT - By - ALL RIGHTS RESERVED.

LOC	DIST	REVISIONS					
		P	LTR	DESCRIPTION	DATE	DWN	APVD
CM	00		H	REVISED PER ECR-12-013323	09AUG12	KH	TM



SECTION A-A
 SCALE 10:1



SECTION B-B
 SCALE 10:1

- 1 0.00076 [.000030] THICK GOLD OVER NICKEL ON INSIDE OF RECEPTACLE AND WIRE BARREL AND REMAINDER OF CONTACT IS NICKEL PLATED.
- 2 24 -18 AWG.
- 3 INSULATION RANGE: 1.02-2.54 [.040-.100] DIA.

1	GOLD	0.3 [.012] BRASS	640347-2
	PRE-TIN	0.3 [.012] BRASS	640347-1
	FINISH	MATERIAL	PART NUMBER

THIS DRAWING IS A CONTROLLED DOCUMENT.		DWN K. WHITAKER 14MAR2007	TE Connectivity NAME SOCKET, MATE-N-LOK(TM), LOOSE PIECE	
DIMENSIONS: mm [INCHES]		CHK D. COLEY 14MAR2007		
TOLERANCES UNLESS OTHERWISE SPECIFIED:		APVD D. COLEY 14MAR2007	PRODUCT SPEC	
0 PLC ± - 1 PLC ± - 2 PLC ± 0.13[.005] 3 PLC ± - 4 PLC ± - ANGLES ± 0°30'		APPLICATION SPEC		SIZE A3
MATERIAL		WEIGHT		CAGE CODE 00779
		FINISH		DRAWING NO C-640347
CUSTOMER DRAWING			RESTRICTED TO	
			SCALE 4:1	SHEET 1 OF 1
			REV H	