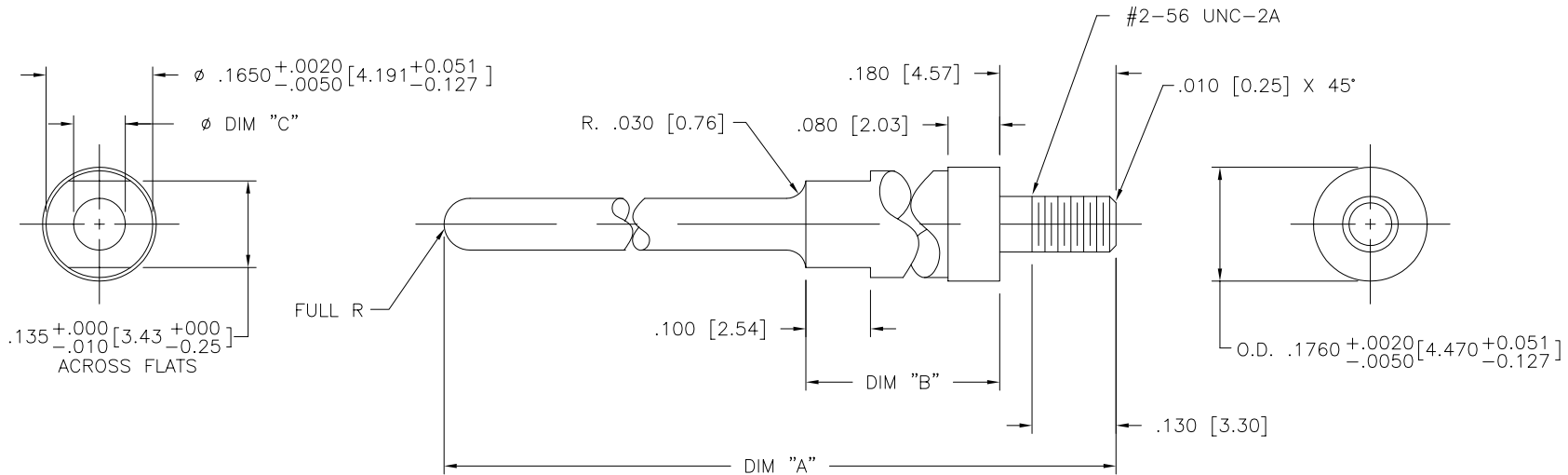


PRODUCT NO.	DIM "A"	DIM "B"	Ø DIM "C"
71225-001	1.040/26.41	.300/7.62	.080/2.03
71225-002	.955/24.25	.300/7.62	.080/2.03
71225-003	.955/24.25	.380/9.65	.090/2.28
71225-001LF	1.040/26.41	.300/7.62	.080/2.03
71225-002LF	.955/24.25	.300/7.62	.080/2.03
71225-003LF	.955/24.25	.380/9.65	.090/2.28

NOTE 3  
NOTE 3  
NOTE 3



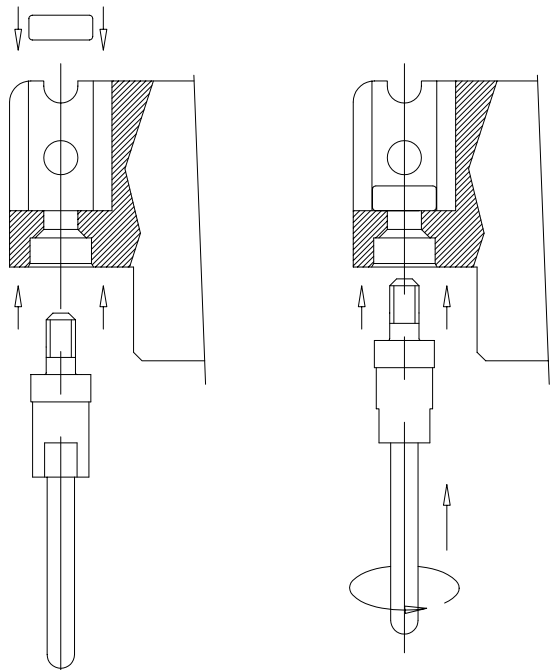
NOTE:

- ① MATERIAL: 416 STAINLESS STEEL.
- ② RECOMMENDED INSTALLATION TOOL: P/N 166769-001 (FOR USE IN 1/4" HEX DRIVE).
- ③ THIS PRODUCT MEETS EUROPEAN UNION DIRECTIVES AND OTHER COUNTRY REGULATIONS AS DESCRIBED IN GS-22-008.

mat'l. code		surface		tolerance		projection		product family	
NOTE 1		ISO 1302 ✓		ISO 406		ISO 1101		HPC	
tolerances unless otherwise specified		angles		linear		INCH/MM		title	
A V50946 GAH 8/8/95		.xx±.01/.3						RECEPT MOUNTED MALE	
B V51393 SAR 8/8/95		.xxx±.005/.13						GUIDE PIN	
C V60897 GIP 6/10/96		0'±2'		.xxxx±.0020/.051		scale 1:1		dwg no	
D V60971 GIP 6/25/00		dr		D.HORCHLER 7/8/05		FCJ		sheet 1 of 4 size	
E V00558 LSS 3/3/00		enfr		D.HORCHLER 7/8/05				71225 A3	
F V05-0643 DCH 7/8/05		chr		T.BREWBAKER 7/8/05				type Product Customer Drawing	
G M06-0283 MHT 7/27/06		appd		D.HORCHLER 7/8/05					
sheet		revision		G G G G					
index		sheet		1 2 3 4					

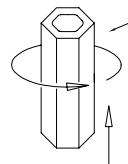
PRODUCT NO.

SEE TABLE

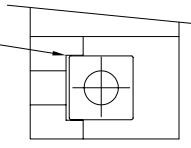


UN-ASSEMBLED GUIDE PIN

SEE NOTE 2



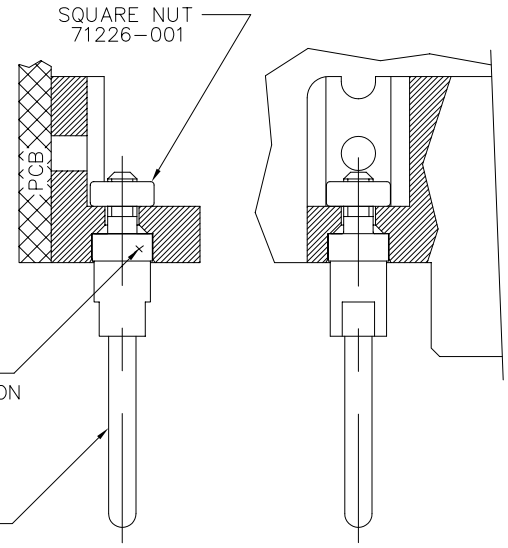
SQUARE NUT HELD FROM ROTATING BY SLOT



SQUARE NUT 71226-001

ROUND CONFIGURATION

GUIDE PIN 71225-001



ASSEMBLED GUIDE PIN

ASSEMBLY NOTE:  
 AFTER CONNECTOR IS ON PCB,  
 INSERT THE SQUARE NUT, AND  
 THEN SCREW IN THE GUIDE PIN

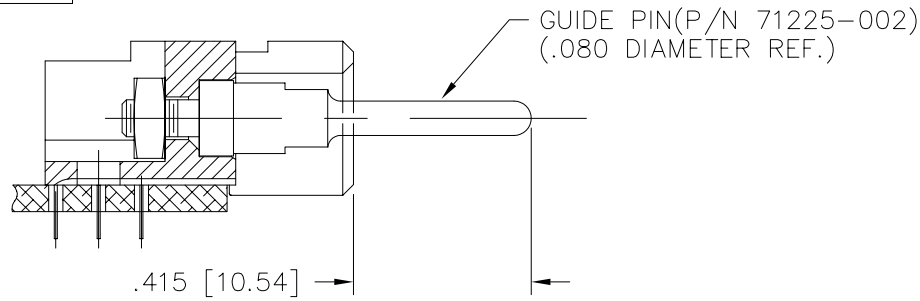


FCJconnect.com

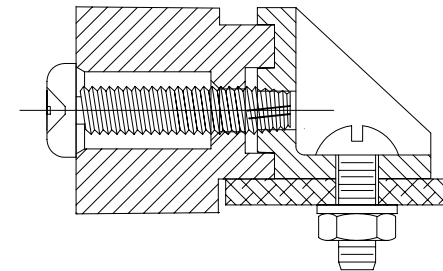
Copyright FCJ

mat'l. code		surface		tolerance		projection		product family	
NOTE 1		ISO 1302		ISO 406		INCH/MM		HPC	
				tolerances unless otherwise specified				title	
G		angles		linear		scale 1:1		RECEPT MOUNTED MALE GUIDE PIN	
		0°±2'		.xx±.01/.3				dwg no	
				.xxx±.005/.13		FCJ		71225	
				.xxxx±.0020/.051				sheet 2 of 4 size	
		dr		D.HORCHLER				A3	
		enr		D.HORCHLER				type	
		chr		T.BREWBAKER				Product Customer Drawing	
		appd		D.HORCHLER					
sheet		revision							
index		sheet							

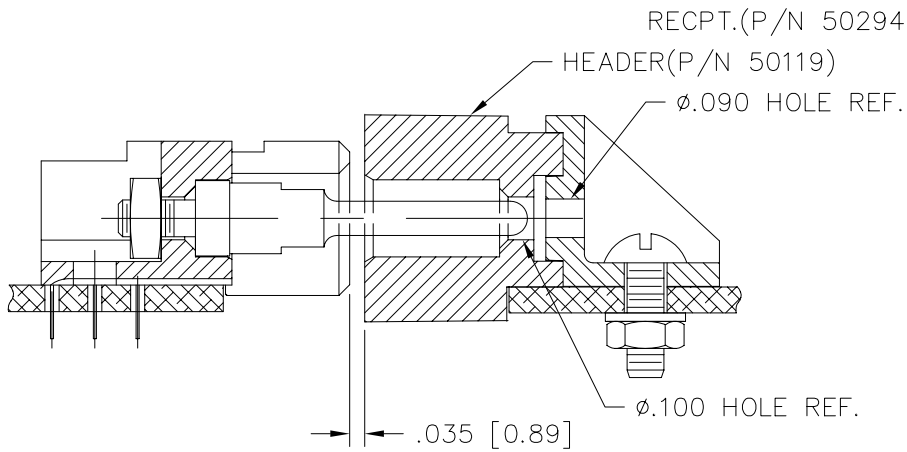
PRODUCT NUMBER  
SEE TABLE



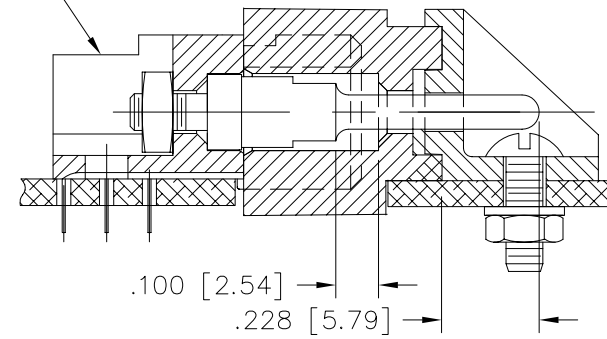
GUIDE PIN, MOUNTED TO RECPT.



HOUSING w/ BRACKET



GUIDE PIN FIRST CONTACT



FULLY MATED

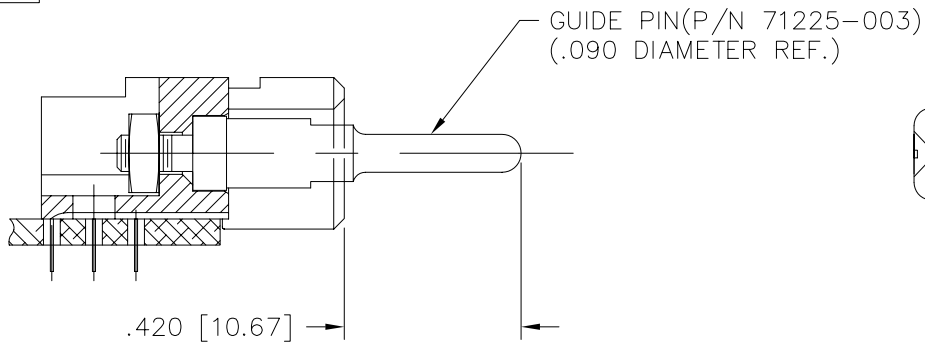
END MOUNTED GUIDE PIN ON RECEPTACLE

FCI  
FCIconnect.com

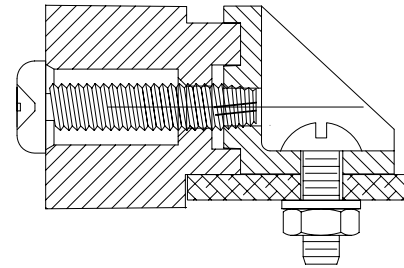
Copyright FCI

mat'l. code		surface		tolerance		projection		product family	
NOTE 1		ISO 1302 ✓		ISO 406		⊕		HPC	
				ISO 1101				title	
ltr		ecn no dr		date		tolerances unless otherwise specified		INCH/MM	
G						.XX±.01/.3		RECEPT MOUNTED MALE	
						linear .XXX±.005/.13		GUIDE PIN	
						0'±2'		scale 1:1	
						.XXX±.0020/.051		dwg no	
		dr		D.HORCHLER		7/8/05		sheet 3 of 4 size	
		enr		D.HORCHLER		7/8/05		71225	
		chr		T.BREWBAKER		7/8/05		A3	
		appd		D.HORCHLER		7/8/05		type Product Customer Drawing	
sheet		revision							
index		sheet							

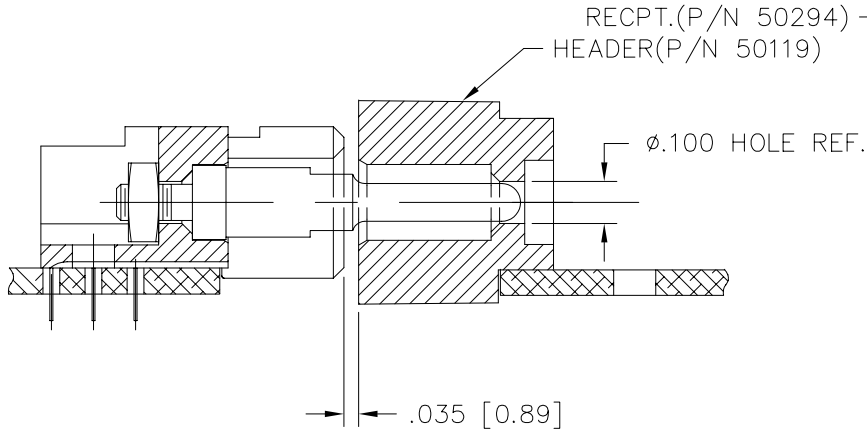
PRODUCT NUMBER  
SEE TABLE



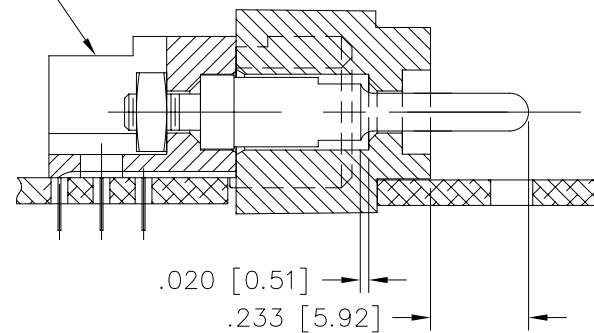
GUIDE PIN, MOUNTED TO RECPT.



HOUSING w/BRACKET



GUIDE PIN FIRST CONTACT



FULLY MATED

END MOUNTED GUIDE PIN ON RECEPTACLE

FCJ  
FCIconnect.com

Copyright FCI

mat'l. code		surface		tolerance		projection		product family	
NOTE 1		ISO 1302 ✓		ISO 406		ISO 1101		HPC	
ltr		ecn		no		dr		date	
G									
				tolerances unless otherwise specified		INCH/MM		title	
		angles		linear		.xx±.01/.3		RECEPT MOUNTED MALE	
		0°±2'				.xxx±.005/.13		GUIDE PIN	
						.xxx±.0020/.051		scale 1:1	
		dr		D.HORCHLER		7/8/05		dwg no	
		enr		D.HORCHLER		7/8/05		sheet 4 of 4 size	
		chr		T.BREWBAKER		7/8/05		71225	
		appd		D.HORCHLER		7/8/05		A3	
sheet		revision						type	
index		sheet						Product Customer Drawing	

form: A3