

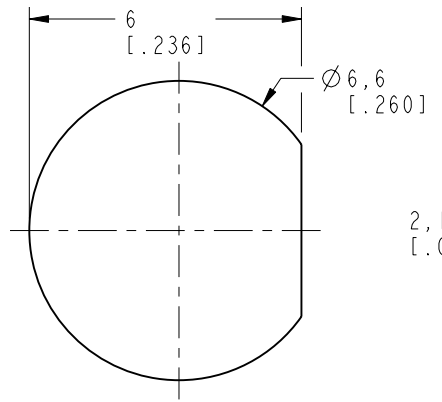
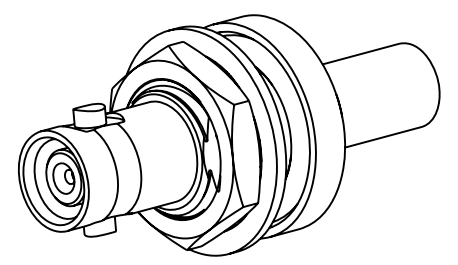
NOTES:

1. MATERIALS AND FINISHES:
 - BODY : BRASS, NICKEL PLATING
 - CENTER CONTACT : BERYLLIUM COPPER, GOLD PLATING
 - BULLET CONTACT : BRASS, GOLD PLATING
 - HEX NUT : BRASS, GOLD PLATING
 - LOCKWASHER : BRASS, GOLD PLATING
 - INSULATOR : PTFE
2. ELECTRICAL:
 - A. IMPEDANCE : 50 OHMS
 - B. FREQUENCY RANGE : DC - 6 GHz
3. MECHANICAL:
 - A. DURABILITY : 500 CYCLES MIN.
4. ENVIRONMENTAL:
 - A. THERMAL SHOCK PER MIL-STD-202 METHOD 107 TEST CONDITION B (EXCEPT HIGH TEMP @200 C)
 - B. VIBRATION: MIL-STD-202 METHOD 204 TEST CONDITION B
 - C. SHOCK: MIL-STD-202 METHOD 213 TEST CONDITION B
 - D. CORROSION: MIL-STD-202 METHOD 101 TEST CONDITION B 5% SALT SOLUTION
 - E. CONNECTOR PASSES IP67 IN MATED CONDITION
5. PACKAGING:
 - A. QUANTITY : SINGLE PACK
 - B. MARKING : BAG TO BE MARKED "AMPHENOLRF, 34-5019 WWYY"
 - C. HEX NUT, LOCKWASHER, O-RING, BULLET CONTACT AND FERRULE ARE PACKAGED LOOSE.
6. ASSEMBLY:
 - A. STRIP CABLE TO DIMENSIONS SHOWN
 - B. SOLDER BULLET CONTACT TO CABLE CENTER CONDUCTOR, BOTTOMING ON INSULATOR
 - C. INSERT CABLE INTO CONNECTOR UNTIL IT BOTTOMS
 - D. CRIMP BODY OVER INNER FERRULE USING .128 HEX

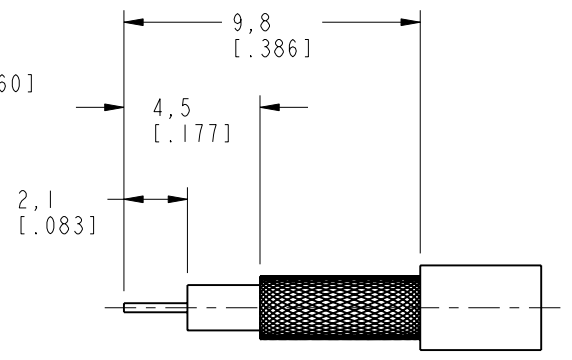
THIRD ANGLE PROJ.

REVISIONS

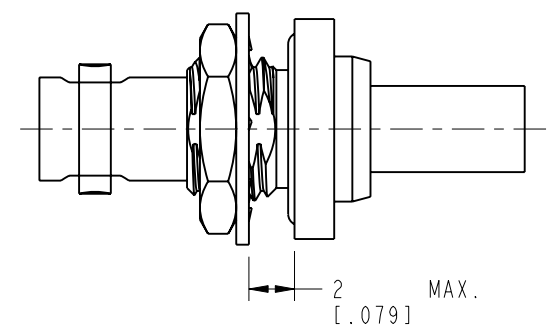
REV	DESCRIPTION	DATE	ECO	APPR
A	RELEASE TO MFG.	22-Mar-12	48992	IX



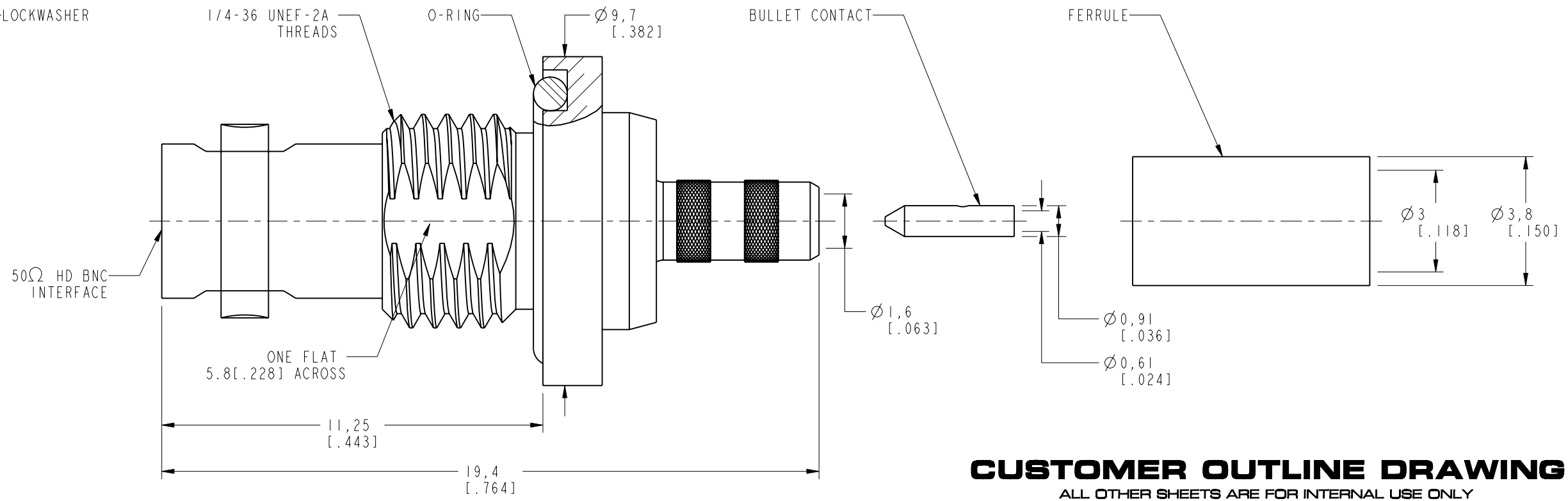
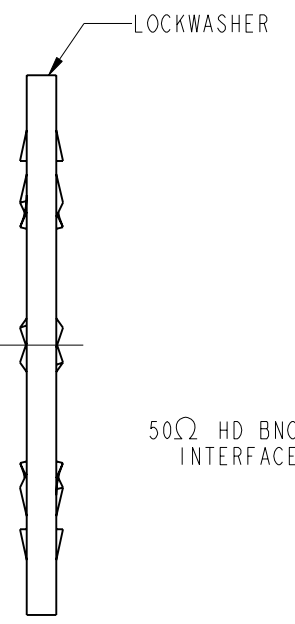
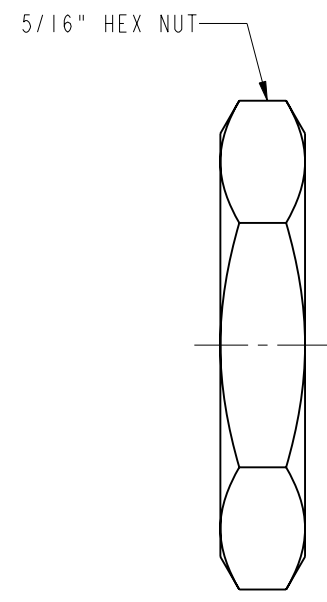
RECOMMENDED MOUNTING HOLE



RECOMMENDED CABLE STRIPPING DIMENSIONS



AFTER ASSEMBLY RECOMMENDED PANEL THICKNESS



CUSTOMER OUTLINE DRAWING
ALL OTHER SHEETS ARE FOR INTERNAL USE ONLY

UNLESS OTHERWISE SPECIFIED, DIMENSIONS ARE IN METRIC AND TOLERANCES ARE: <0.5mm ±0.05mm 0.5 - 6mm ±0.1mm 6 - 30mm ±0.2mm 30 - 120mm ±0.3mm ANGLES ±1°	MATERIAL	DRAWN	DATE	TITLE 50 OHM HD BNC BHD JACK FOR RG 316 IP67		Amphenol RF www.amphenolrf.com	
	SEE NOTE 1	I. XU	22-Mar-12				
	REFERENCE	ENGINEER	DATE	SCALE: 8.0:1.0 SHEET 2 OF 2		DRAWING NO. 34-5019 ITEM NO. 34-5019 PART NO. 34-5019	
	EAR 4505 AND	T. SMITH	12/12/11				
CONFIGURATION LEVEL: <input type="checkbox"/> <input type="checkbox"/> <input type="checkbox"/>	APPROVED	DATE	DWG SIZE B		REV A		
FINISH	S. HSIEH	28-Mar-12					