

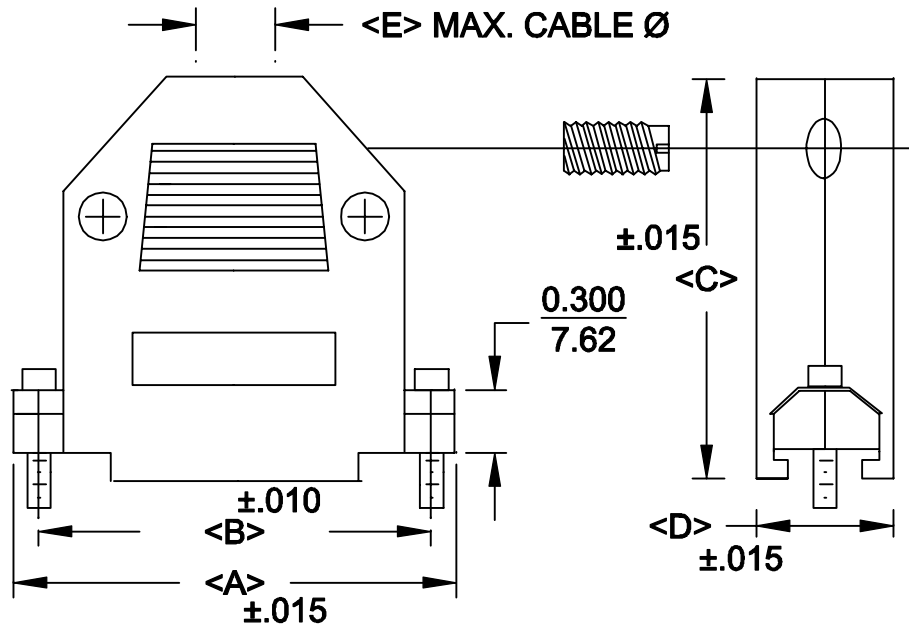
DESCRIPTION: **978 SERIES D-SUB BACKSHELL**

**BACKSHELL KIT INCLUDES:**

- (2) BACKSHELL HALVES
- (2) 4-40 MOUNTING SCREWS
- (2) SADDLE WASHERS
- (2) HOUSING SCREWS
- (2) 4-40 HOUSING NUTS
- (1) STRAIN RELIEF THREADED ROD

**978-XXX-XXX-XX1**


SERIES \_\_\_\_\_  
 POSITIONS \_\_\_\_\_  
 009 \_\_\_\_\_  
 015 \_\_\_\_\_  
 025 \_\_\_\_\_  
 037 \_\_\_\_\_  
 050 \_\_\_\_\_  
 MATERIAL \_\_\_\_\_  
 010 = PLASTIC  
 020 = METALIZED PLASTIC  
 COLOR: \_\_\_\_\_  
 03 = GREY  
 12 = NICKEL OVER COPPER  
 PUT-UPS \_\_\_\_\_  
 1 = KIT



| POS | A     | B     | C     | D     | E     |
|-----|-------|-------|-------|-------|-------|
| 9   | 1.220 | .984  | 1.693 | .655  | .276  |
|     | 31.00 | 24.99 | 43.00 | 16.64 | 7.00  |
| 15  | 1.535 | 1.312 | 1.693 | .655  | .315  |
|     | 39.00 | 33.32 | 43.00 | 16.64 | 8.00  |
| 25  | 2.118 | 1.852 | 1.929 | .655  | .374  |
|     | 54.00 | 47.04 | 49.00 | 16.64 | 9.50  |
| 37  | 2.756 | 2.500 | 1.929 | .655  | .433  |
|     | 70.00 | 63.50 | 49.00 | 16.64 | 11.00 |
| 50  | 2.650 | 2.406 | 1.909 | .655  | .551  |
|     | 67.30 | 61.11 | 48.50 | 16.64 | 14.00 |

**METALIZED PLASTIC:**  
 MATERIAL: ABS HIGH TEMPERATURE 94HB  
 METALIZED PLATING: CHROME

**PLASTIC:**  
 MATERIAL: ABS HIGH TEMPERATURE 94HB  
 GREY

|  |   |  |                                |                        |
|--|---|--|--------------------------------|------------------------|
|  | THESE DRAWINGS AND SPECIFICATIONS ARE THE PROPERTY OF NorComp AND SHALL NOT BE REPRODUCED, COPIED OR USED AS THE BASIS FOR THE MANUFACTURE OR SALE OF APPARATUS WITHOUT WRITTEN PERMISSION. |  | DRAWN:<br><b>PAM JENKINS</b>   | DATE:<br><b>8-6-98</b> |
|  |   |  | CHECKED:                       | DATE:                  |
| <b>NorComp</b>   |   |  | SCALE                          | SHEET OF               |
|  |   |  | DWG NO. <b>978-XXX-0X0-XX1</b> |                        |