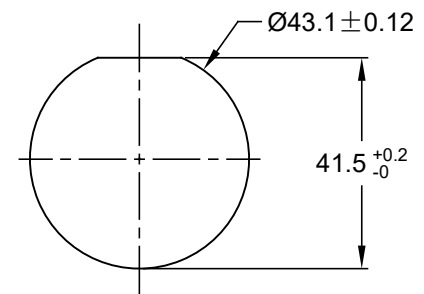
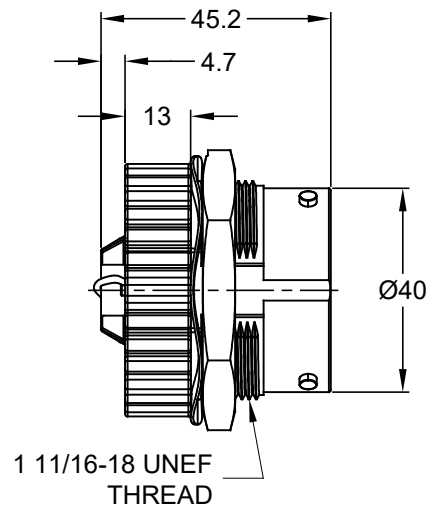
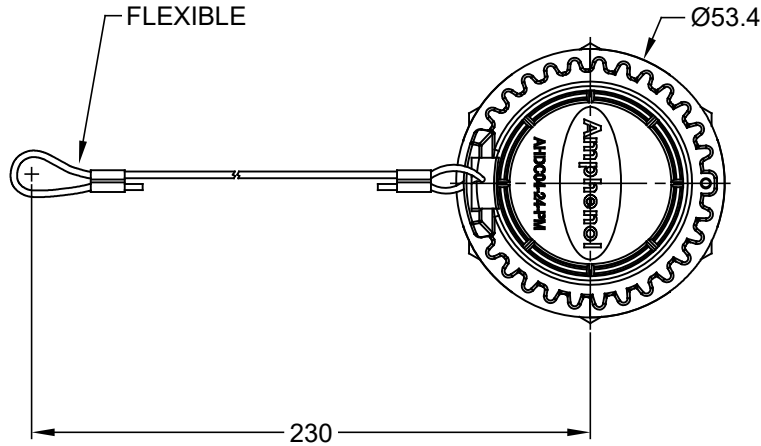


REVISIONS					
REV	ECO	DESCRIPTION	DATE	BY	APPR
01		PRELIMINARY DRAWING	15AUG17	SULLEN	TOMMY



RECOMMENDED PANEL MOUNTING HOLE
RECOMMENDED PANEL THICKNESS: 1.6 TO 4.7MM

NOTES: UNLESS OTHERWISE SPECIFIED

- MATERIAL:
SHELL: THERMOPLASTIC
NUT: THERMOPLASTIC
SEAL: SILICONE RUBBER
CORD: NYLON
LOCK WASHER: STEEL
- COLORS: BLACK
- RoHS COMPLIANT
- COMPATIBLE WITH ALL SIZE 24 AHDP SERIES PLUG.
- ALL DIMENSIONS ARE FOR REFERENCE USE ONLY.

AHDC04-24-PMT				
PART NUMBER		DESCRIPTION		ITEM
QUANTITY	MATERIALS LIST			
UNLESS OTHERWISE SPECIFIED		SIGNATURES		DATE
1) All dimensions are in metric(mm).		DRAWN: SULLEN.ZHANG		15AUG17
2) Tolerances are as follows:		CHECKED: ORION.LI		15AUG17
1 PL DEC ±0.30		ENGINEER:		
2 PL DEC ±0.15		APPROVAL: TOMMY.XIE		15AUG17
3 PL DEC ±0.08		CUSTOMER:		
3) Note reference =		THIS DRAWING IS SUPPLIED FOR INFORMATION ONLY. DESIGN FEATURES, SPECIFICATIONS AND PERFORMANCE DATA SHOWN HEREON ARE THE PROPERTY OF THE AMPHENOL CORPORATION. NO RIGHTS OF REPRODUCTION ARE IMPLIED. ALL DIMENSIONS ARE SUBJECT TO NORMAL MANUFACTURING VARIATIONS.		
MATERIAL SPECIFICATIONS:		SIZE		TYPE
PROCESS SPECIFICATIONS:		A		C-
NEXT ASSY:		DWG NO:		REVISION
		AHDC04-24-PMT		01
		SCALE: NONE		SHEET 1 OF 1

Amphenol

Sine Systems - www.amphenol-sine.com
44724 Morley Drive
Clinton Township, MI 48036

PROTECTIVE CAP FOR PLUGS,
WITH CORD, AHDP SERIES, SIZE 24