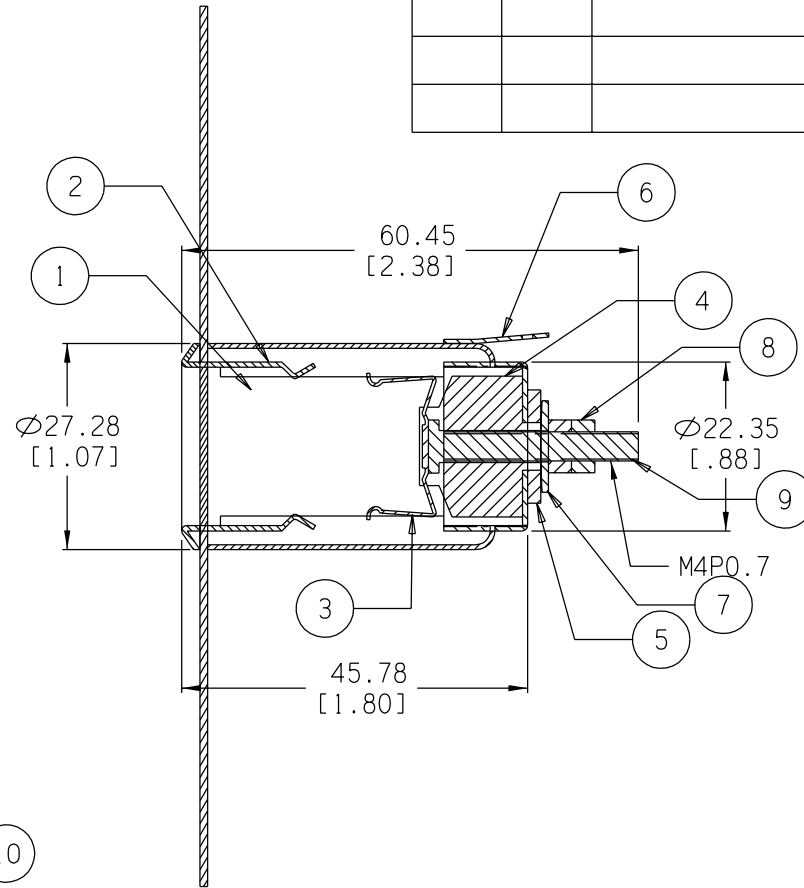
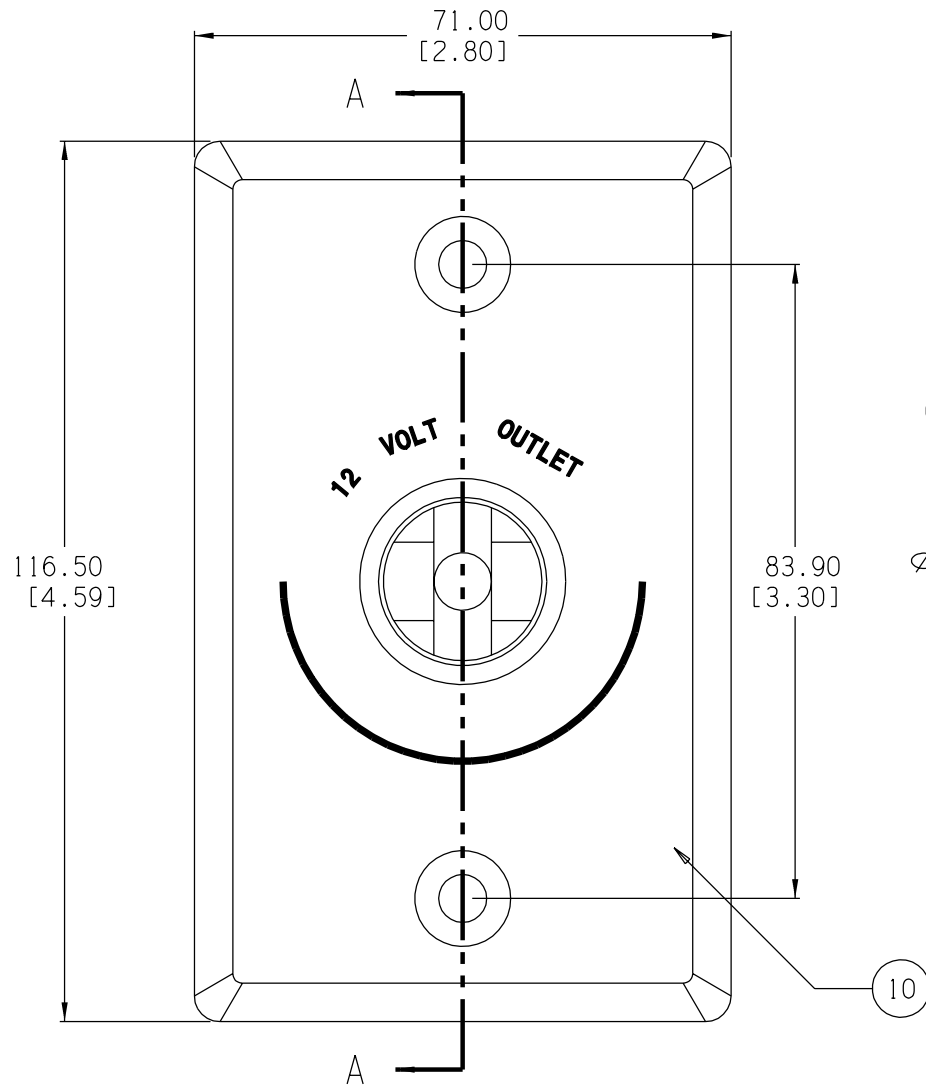


Date	SYM	REVISION RECORD	AUTH	DR.	CK.
07/30/05	A	ADDED BILL OF MATERIAL	T.B.	B.S.	
10/22/05	B	ADDED "ROHS COMPLIANT"	T.B.	B.S.	



NOTE:  
ROHS COMPLIANT

BILL OF MATERIAL

BALLOON #	QTY.	DESCRIPTION
1	1	TUBE, IRON, NICKEL PLATED
2	1	CASING, IRON, COLOR PLATED
3	1	TEMP. MOM., ALLOY
4	1	PORCELAIN SOCKET, CERAMIC
5	1	INSULATOR, BAKELITE
6	1	(-) TERMINAL, IRON, COLOR PLATED
7	1	WASHER, IRON, ZINC PLATED
8	2	NUT, IRON, ZINC PLATED
9	1	(+) SCREW, COPPER
10	1	PANEL, STAINLESS STEEL

Tolerance (Inches)
Decimal
±.5 (.020)
Fractional
± .8 (.030)
Angular
± 3°



Memory Protection Devices, Inc.

200 Broad Hollow Road, Farmingdale, New York 11735

Scale Drawn By B.S.

Approved By T.B.

Title ZA 2060 CIGARETTE SOCKET WITH WALL PLATE

Date 10/22/05

Drawing Number ZA2030