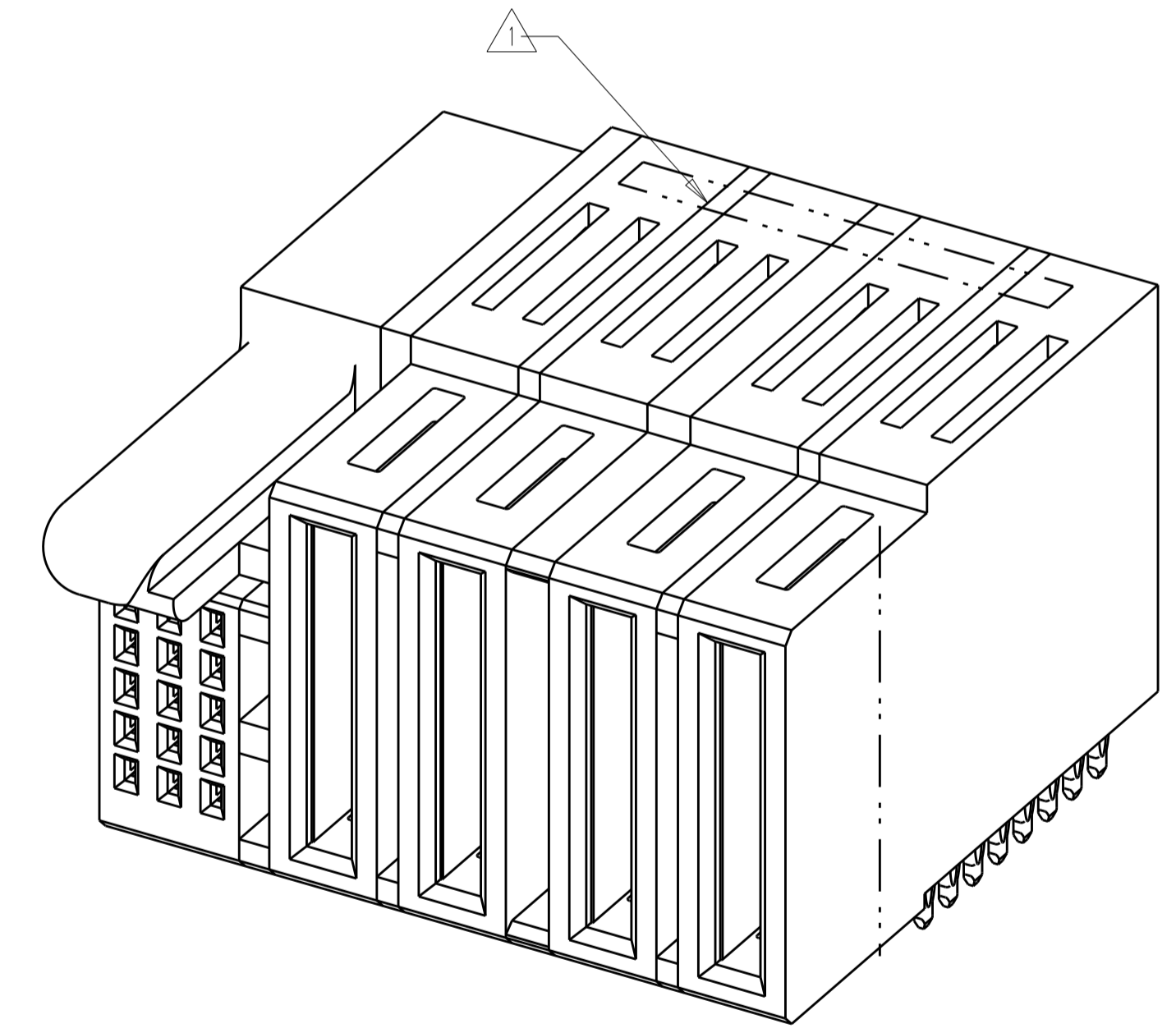
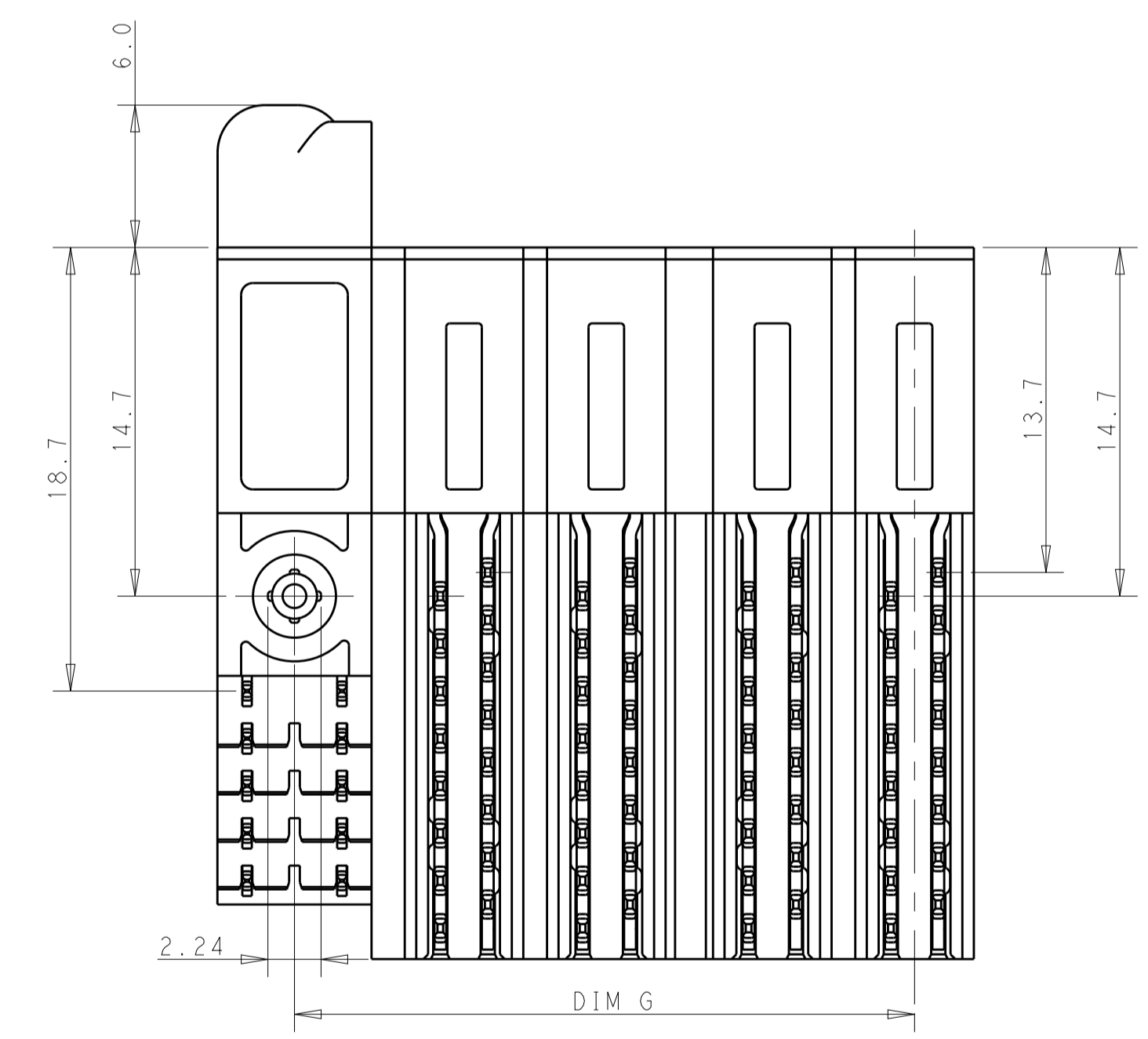
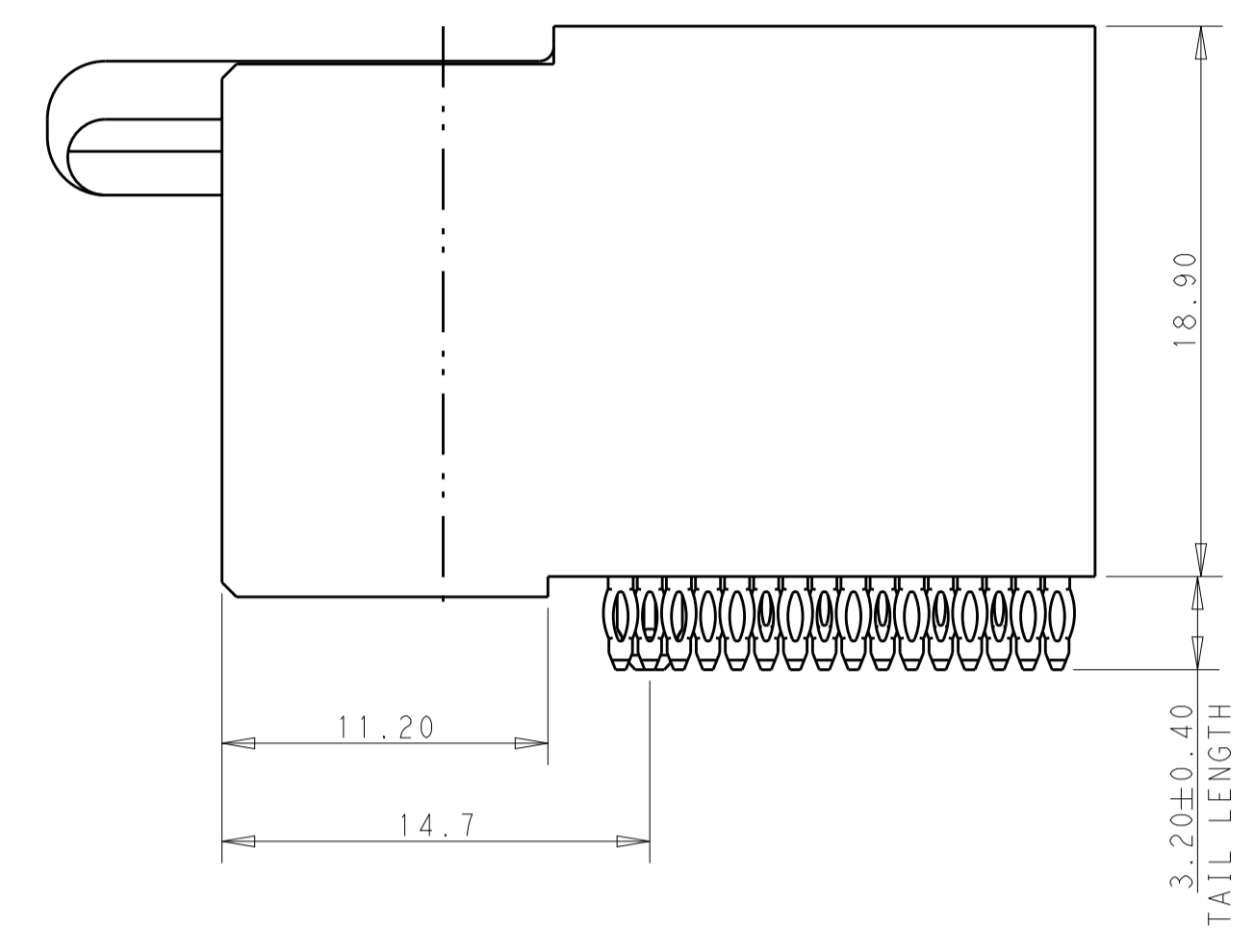
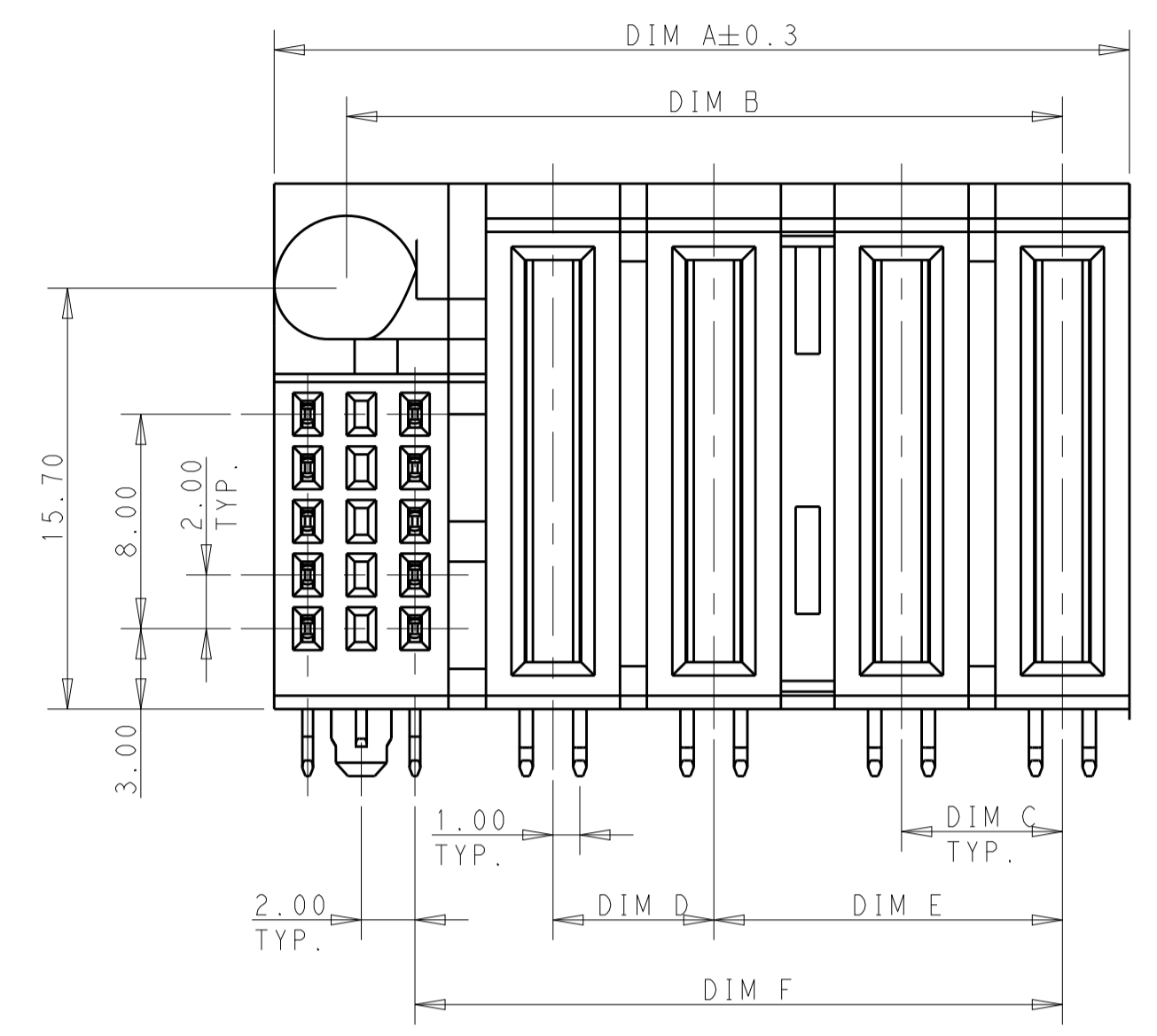


REVISIONS					
P.	LTN	DESCRIPTION	DATE	DWN	APVD
A1	ECR-16-006244		11MAY2016	TZ	SZ



NOTES, UNLESS OTHERWISE SPECIFIED:  
 1. "TE", PART NUMBER AND DATE CODE TO BE MARKED IN AREA SHOWN.  
 2. MATERIAL:  
 HOUSING - GLASS FILLED HIGH TEMP THERMO PLASTIC, COLOR: BLACK, UL94 V- 0.  
 SIGNAL CONTACT - HIGH CONDUCTIVITY COPPER ALLOY.  
 POWER CONTACT - HIGH CONDUCTIVITY COPPER ALLOY.  
 3. CONTACT PLATING:  
 MATING AREA - NOBLE METAL OVERALL NICKEL  
 TAIL SIDE AREA - MATTE TIN OVERALL NICKEL.  
 4. MECHANICAL CONNECTOR KEEP OUT ZONE.  
 5. DATUM AND BASIC DIMENSIONS ESTABLISHED BY CUSTOMER.  
 6. PCB - ALL HOLE DIAMETERS ARE FINISHED HOLE SIZES.  
 7. PCB HOLE:  
 POWER - 1.15±0.025 MM DRILLED HOLES SIZE PLATING WITH 0.0076 MM MIN.  
 Sn OVER 0.025-0.076 MM Cu PLATING TO ACHIEVE A 1.02 MM DIA. HOLE.  
 SIGNAL - 0.835±0.025 MM DRILLED HOLES SIZE PLATING WITH 0.0076 MM MIN.  
 Sn OVER 0.025-0.076 MM Cu PLATING TO ACHIEVE A 0.72 MM DIA. HOLE.

22.50	28.15	26.15	-	-	6.00	28.70	33.90	4VP+20S	2204406-6
-	59.15	-	-	-	5.00	59.70	64.90	10S+1P+2P+2P+2P+2P	2204406-5
-	12.15	10.15	-	-	5.00	12.70	17.90	2P+15S	2204406-3
-	26.15	24.15	13.00	6.00	6.00	26.70	31.90	2VP+2VP+10S	2204406-1
DIM H.	DIM G.	DIM F.	DIM E.	DIM D.	DIM C.	DIM B.	DIM A.	DESCRIPTION	PART NUMBER

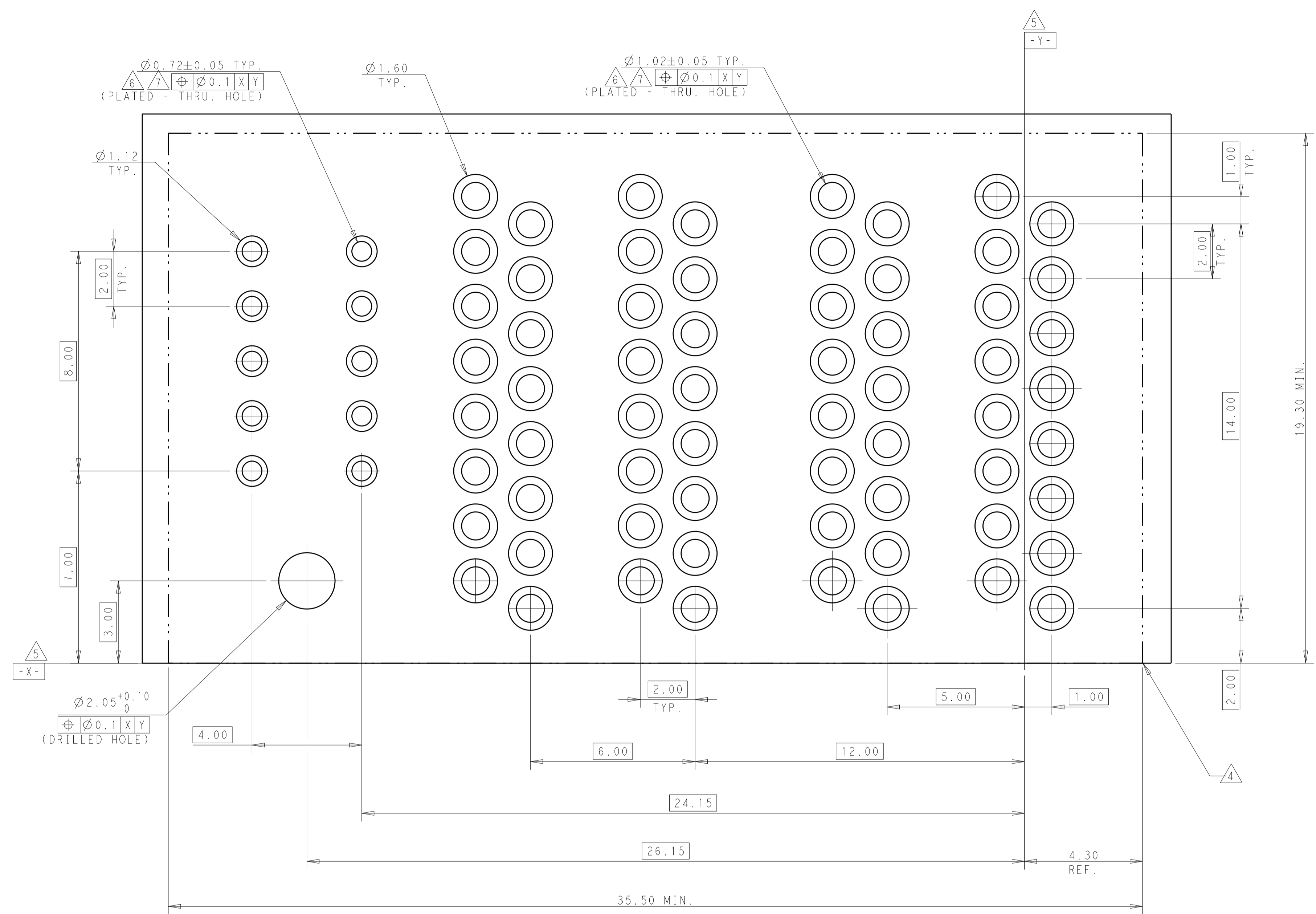
THIS DRAWING IS A CONTROLLED DOCUMENT. DWN: THOMAS ZHAO 13NOV2014  
 CHK: SUNY ZHAO 13NOV2014  
 APVD: SUNY ZHAO 13NOV2014

**STE** TE Connectivity

CUSTOMER DRAWING  
 R/A REC. WITH SINGLE GUIDE  
 MULTI-BEAM HD

SIZE: A1 CAGE CODE: - DRAWING NO: 2204406 RESTRICTED TO: -  
 SCALE: 4:1 SHEET 1 OF 4 REV: A1

REVISIONS				
P.	LTN	DESCRIPTION	DATE	APVD
-	-	SEE SHEET 1	-	-



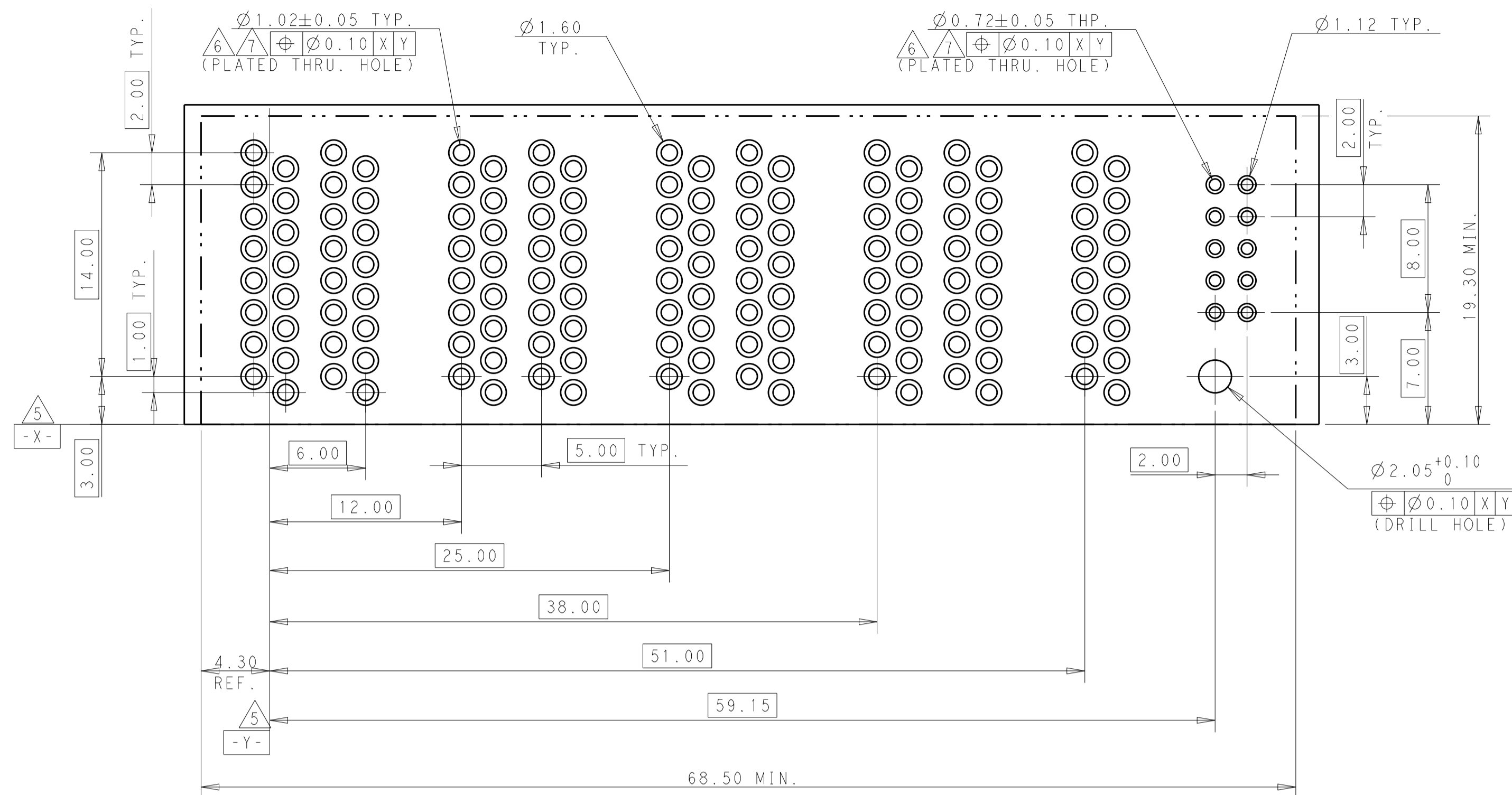
PART NUMBER	ROWS	SIGNAL		POWER			
		2	1	P4	P3	P2	P1
2204406-1	E	SRI	SRI	PR	PR	PR	PR
	D	SRI	SRI	PR	PR	PR	PR
	C	SRI	SRI	PR	PR	PR	PR
	B	SRI	SRI	PR	PR	PR	PR
	A	SRI	SRI	PR	PR	PR	PR
2VP+2VP+10S							

POWER CONTACT PRESS FIT	PR
SIGNAL CONTACT PRESS FIT	SR1
HP/SIGNAL WITH SINGAL GUIDE	HOUSING
DESCRIPTION	CODE

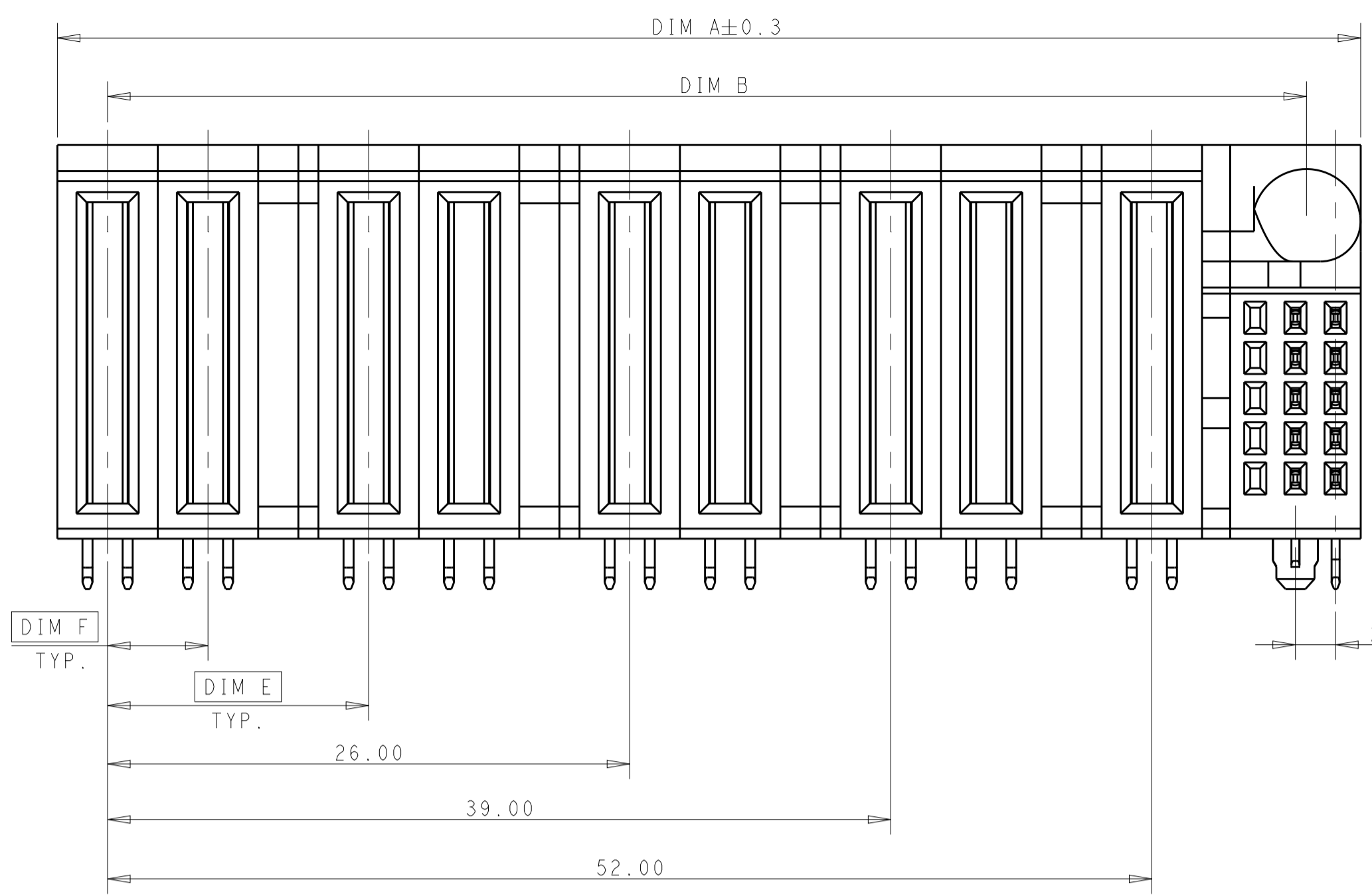
THIS DRAWING IS A CONTROLLED DOCUMENT.

DIMENSIONS:	TOLERANCES UNLESS OTHERWISE SPECIFIED:	OWN THOMAS ZHAO 13NOV2014	TE Connectivity CUSTOMER DRAWING R/A REC. WITH SINGLE GUIDE MULTI-BEAM HD
mm	0 PLC ±0.4	CHK SUNY ZHAO 13NOV2014	
	1 PLC ±0.4	APVD SUNY ZHAO 13NOV2014	
	2 PLC ±0.75		
	3 PLC ±0.15		NAME
	4 PLC ±		PRODUCT SPEC
	ANGLES ±		APPLICATION SPEC
MATERIAL	FINISH	WEIGHT	SIZE CAGE CODE DRAWING NO
			A1 - C=2204406
			RESTRICTED TO
			CUSTOMER DRAWING
			SCALE 4:1 SHEET 2 OF 4 REV A1

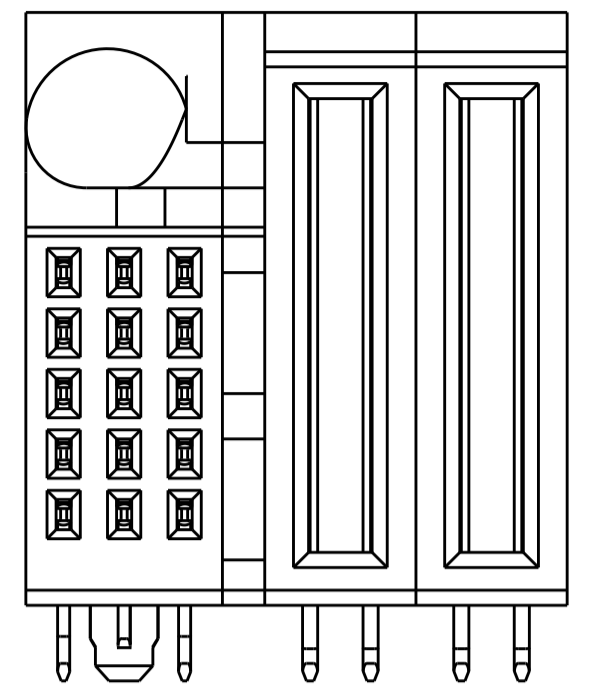
REVISIONS				
P.	LTN.	DESCRIPTION	DATE	APPV.
-	-	SEE SHEET 1	-	-



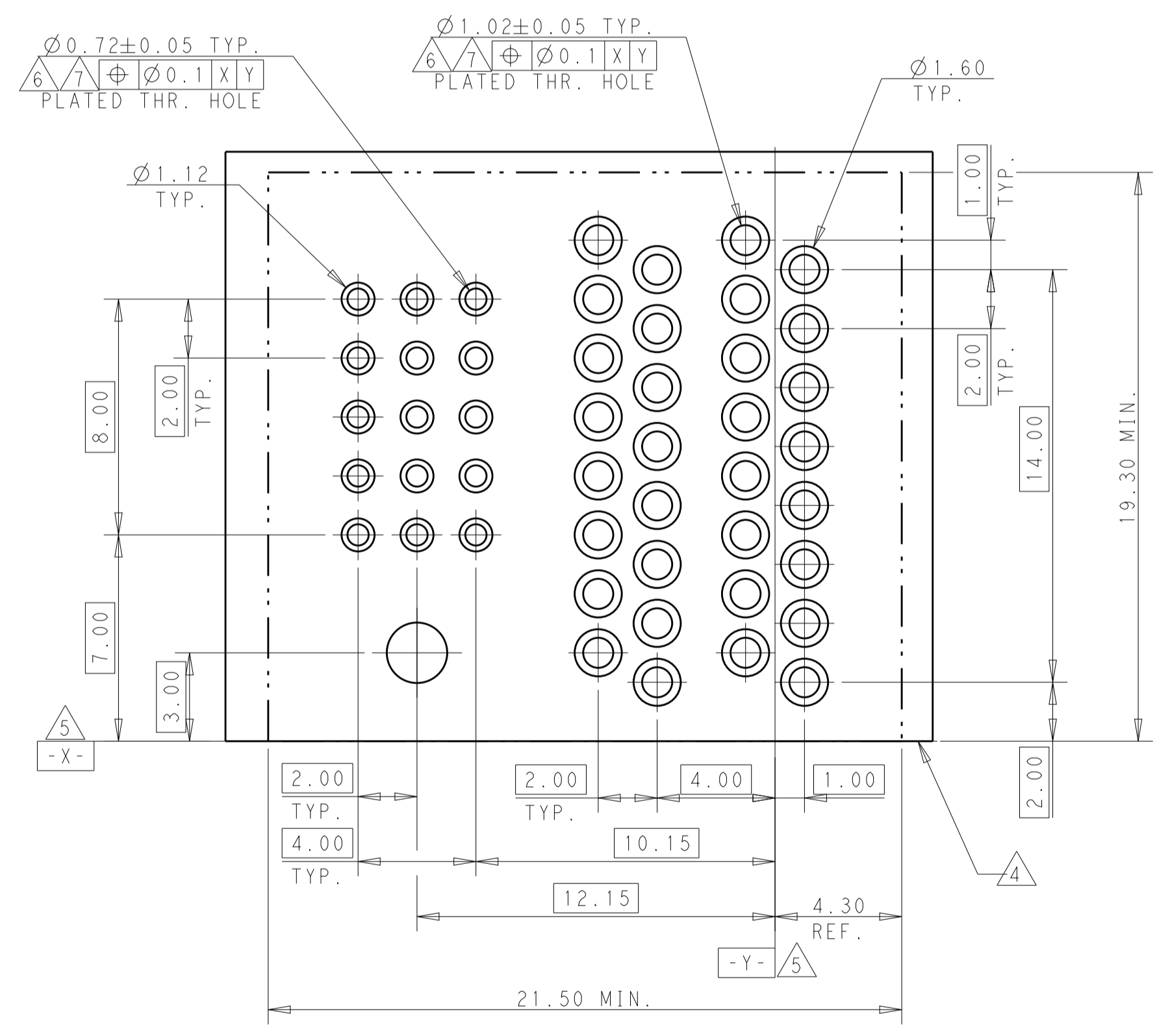
THE PCB LAYOUT OF PART NUMBER:2204406-5



PART NUMBER:2204406-5



PART NUMBER:2204406-3



THE PCB LAYOUT OF PART NUMBER:2204406-3

PART NUMBER	POWER									SIGNAL	
	P9	P8	P7	P6	P5	P4	P3	P2	P1	2	1
2204406-5	PR	PR	PR	PR	PR	PR	PR	PR	PR		
										SR	SR
										SR	SR
										SR	SR
										SR	SR

10S+1P+2P+2P+2P+2P

PART NUMBER	ROWS	SIGNAL			POWER	
		3	2	1	P2	P1
2204406-3	E	SR	SR	SR		
	D	SR	SR	SR	PR	PR
	C	SR	SR	SR		
	B	SR	SR	SR		
	A	SR	SR	SR		

2P+15S

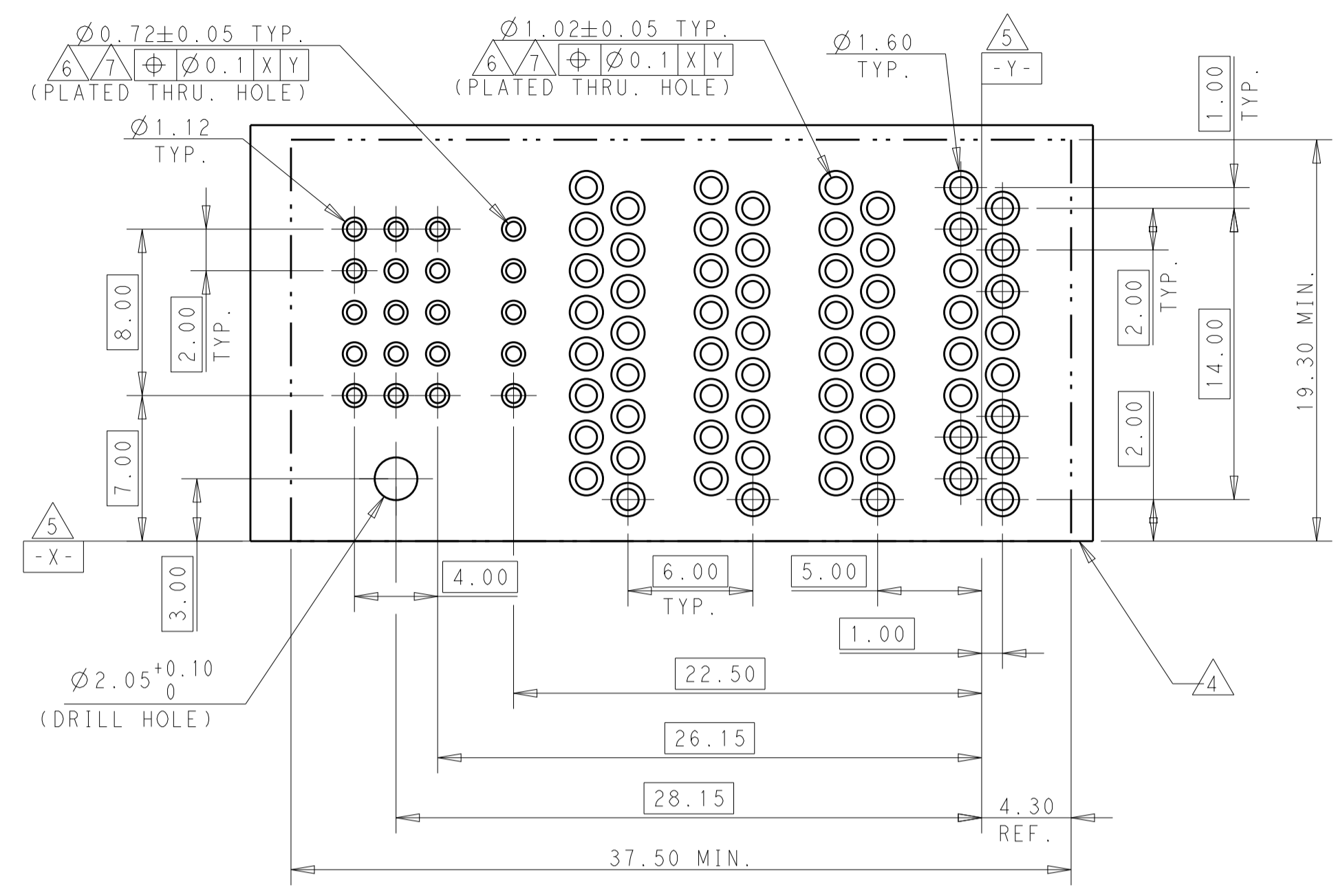
THIS DRAWING IS A CONTROLLED DOCUMENT. DWN THOMAS\_ZHAO 13NOV2014  
 CHK SUNY\_ZHAO 13NOV2014  
 APVD SUNY\_ZHAO 13NOV2014

**STE** TE Connectivity

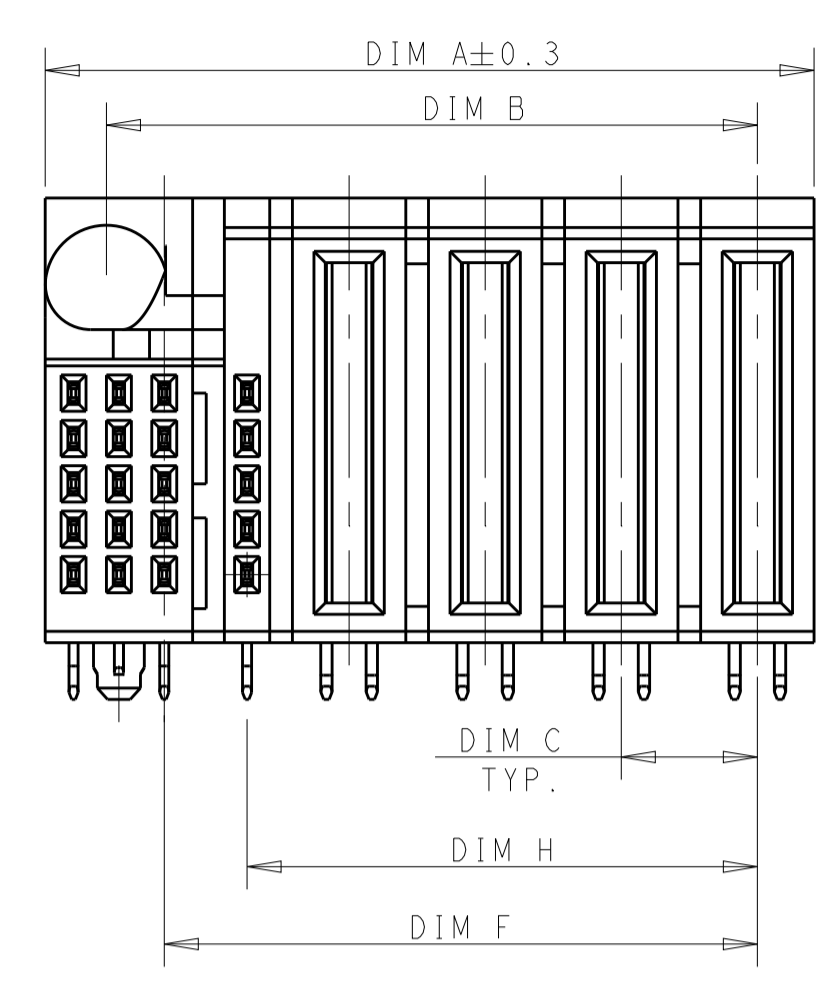
CUSTOMER DRAWING  
 R/A REC. WITH SINGLE GUIDE  
 MULTI-BEAM HD

SCALE 4:1 SHEET 3 OF 4 REV A1

REVISIONS				
P.	LTR.	DESCRIPTION	DATE	APVD.
-	-	SEE SHEET 1	-	-



PCB LAYOUT FOR PART NUMBER: 2204406-6



PART NUMBER	ROWS	SIGNAL				POWER				
		4	3	2	1	P4	P3	P2	P1	
2204406-6	E	SR	SR	SR	SR	PR	PR	PR	PR	
	D	SR	SR	SR	SR	PR	PR	PR	PR	
	C	SR	SR	SR	SR	PR	PR	PR	PR	
	B	SR	SR	SR	SR	PR	PR	PR	PR	
	A	SR	SR	SR	SR	PR	PR	PR	PR	
4VP+20S										

THIS DRAWING IS A CONTROLLED DOCUMENT.		DWN THOMAS_ZHAO 13NOV2014 CHK SUNY_ZHAO 13NOV2014 APVD SUNY_ZHAO 13NOV2014	TE Connectivity
DIMENSIONS: mm 	TOLERANCES UNLESS OTHERWISE SPECIFIED: 0 PLC ± 1 PLC ±0.4 2 PLC ±0.25 3 PLC ±0.15 4 PLC ± ANGLES ±	NAME CUSTOMER DRAWING R/A REC. WITH SINGLE GUIDE MULTI-BEAM HD PRODUCT SPEC APPLICATION SPEC	
MATERIAL	FINISH	WEIGHT	CUSTOMER DRAWING SCALE 4:1 SHEET 4 OF 4 REV A1