
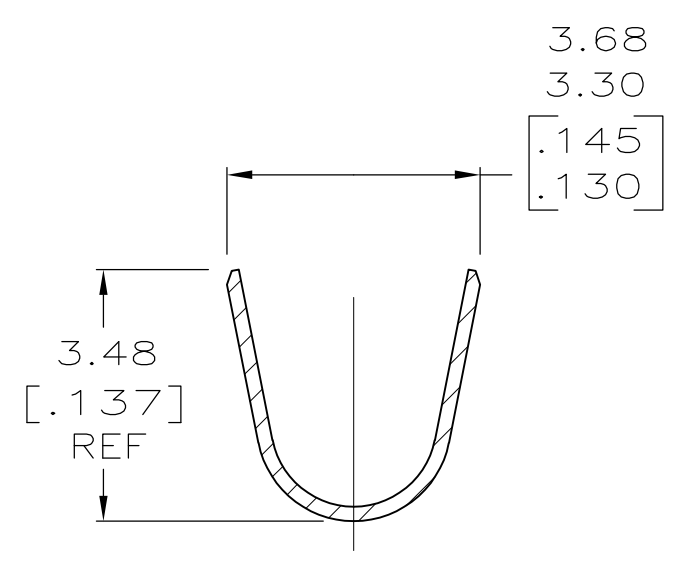
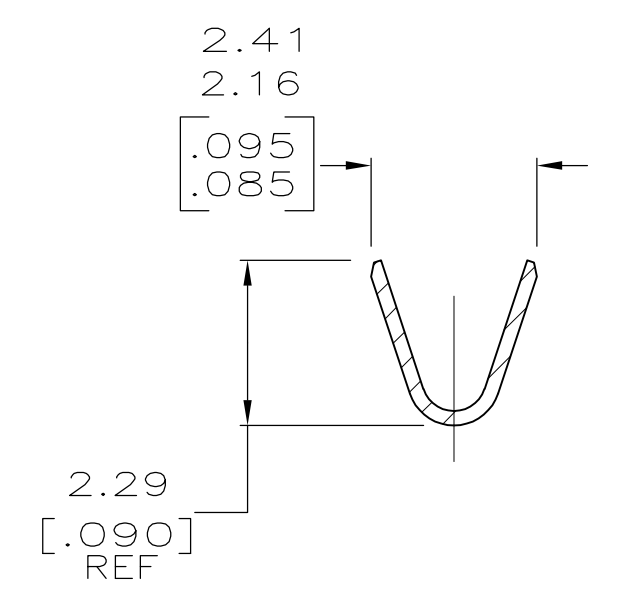
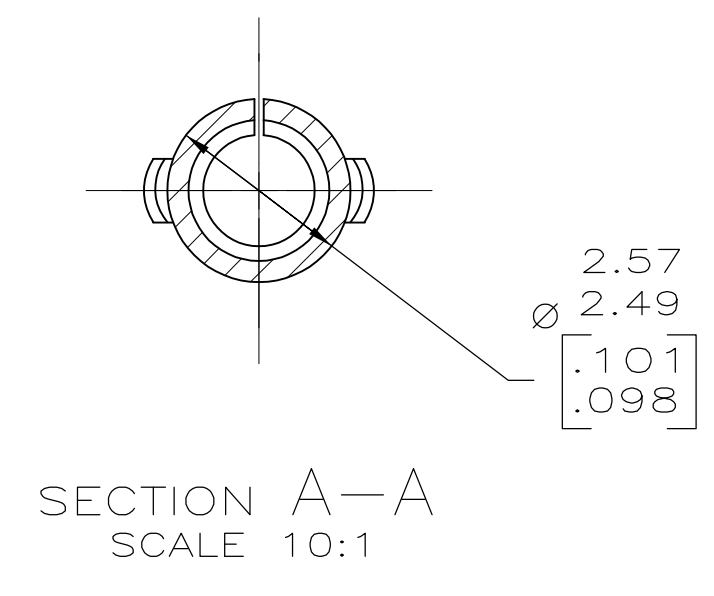
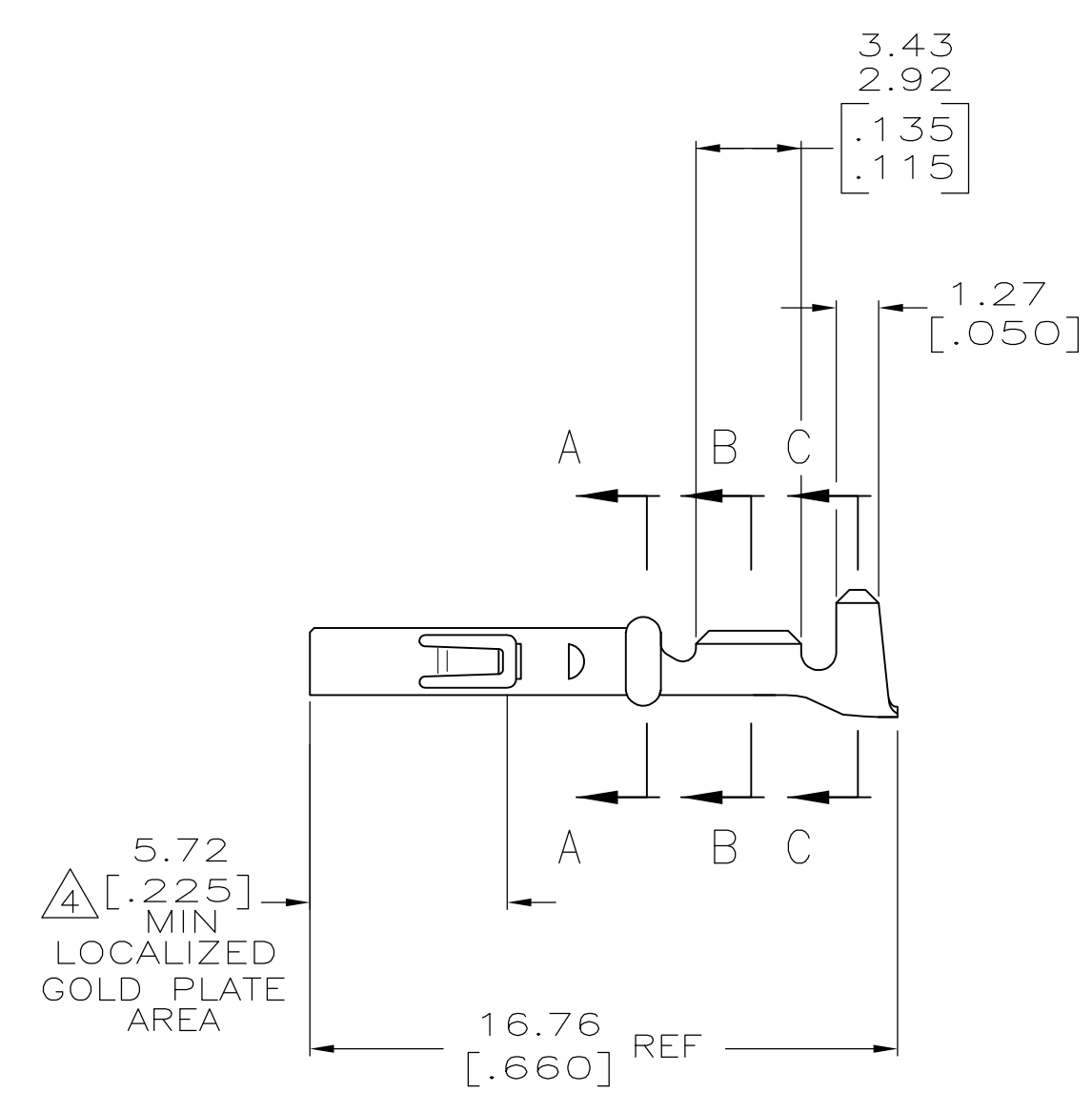
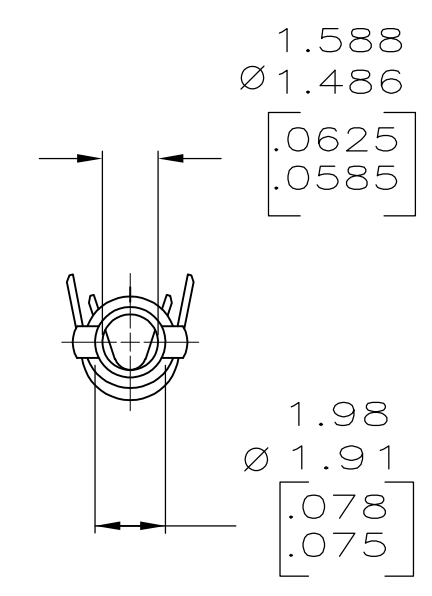
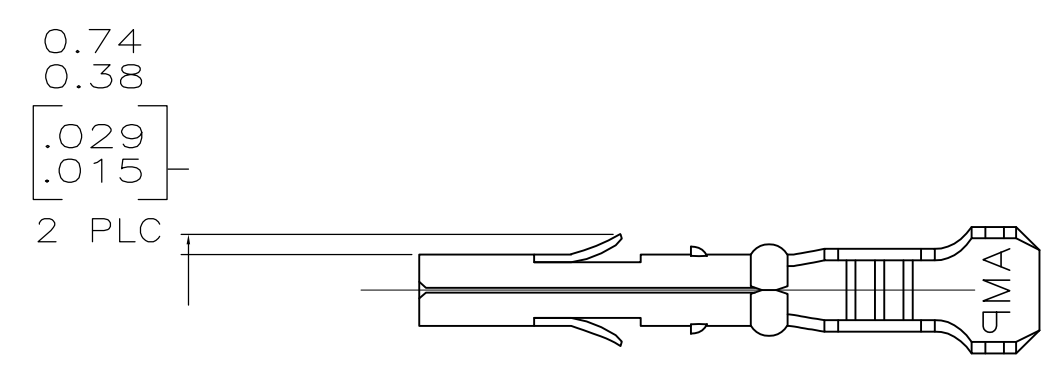



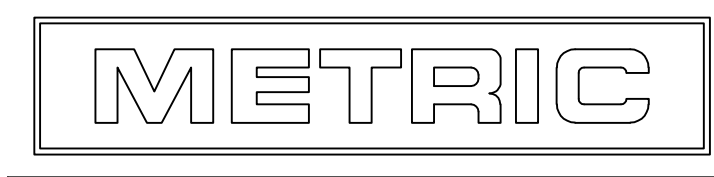
LOC		DIST		REVISIONS			
CM	52	P	LTR	DESCRIPTION	DATE	DWN	APPD
		B1		REVISED PER ECO-11-004820	11MAR11	RK	HMR

- 1 WIRE RANGE: 0.12-0.9mm² (26-18 AWG).
- 2 INSULATION RANGE: 1.27-2.92 [.050-.115] MAX. DIA.
- 3 DIMENSIONS IN BRACKETS ARE IN INCHES.
- 4  PLATE INTERNALLY WITH 0.00076 [.000030] MIN GOLD IN THE LOCALIZED GOLD PLATE AREA, GOLD FLASH ON THE REMAINDER, OVER 0.00127 [.000050] MIN NICKEL UNDERPLATE.



 GOLD STRIPE	0.20 [.008] PHOS BRZ	641300-2
PRE-TIN	0.20 [.008] PHOS BRZ	641300-1

FINISH		MATERIAL		PART NO	
THIS DRAWING IS A CONTROLLED DOCUMENT.		DWN K. SALMON 3-21-95 CHK R. SWING 3-21-95		STE TE Connectivity	
DIMENSIONS: MM [INCHES]		APVD W. LONG 3-21-95		NAME RECEPTACLE, LOOSE PIECE, MR	
TOLERANCES UNLESS OTHERWISE SPECIFIED:		PRODUCT SPEC		APPLICATION SPEC	
0 PLC ± -	1 PLC ± -	-		-	
2 PLC ± -	3 PLC ± 0.13 [.005]	-		-	
4 PLC ± -	ANGLES ± -	-		-	
MATERIAL SEE TABLE	FINISH SEE TABLE	WEIGHT -		SIZE CAGE CODE DRAWING NO A1 00779 C=641300	
CUSTOMER DRAWING				RESTRICTED TO -	
SCALE 5:1		SHEET 1 OF 1		REV B1	



THIS DRAWING IS A CONTROLLED DOCUMENT FOR AMP INCORPORATED. IT IS SUBJECT TO CHANGE AND THE CONTROLLING ENGINEERING ORGANIZATION SHOULD BE CONTACTED FOR THE LATEST REVISION.