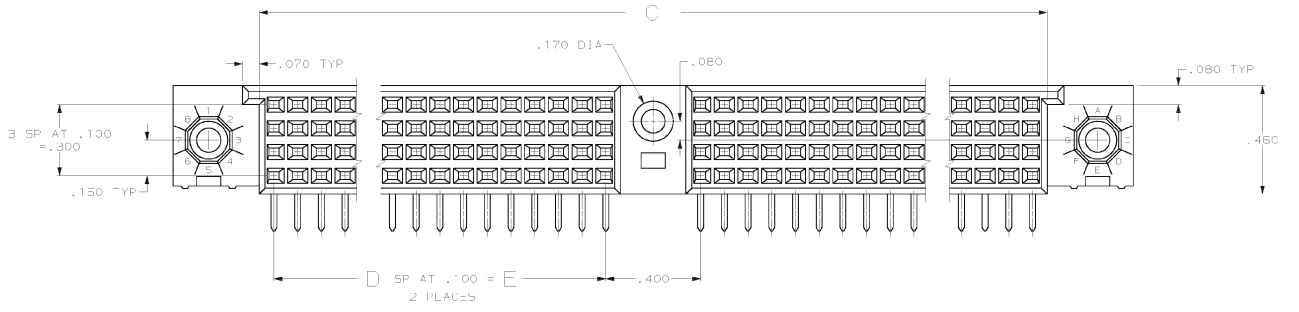
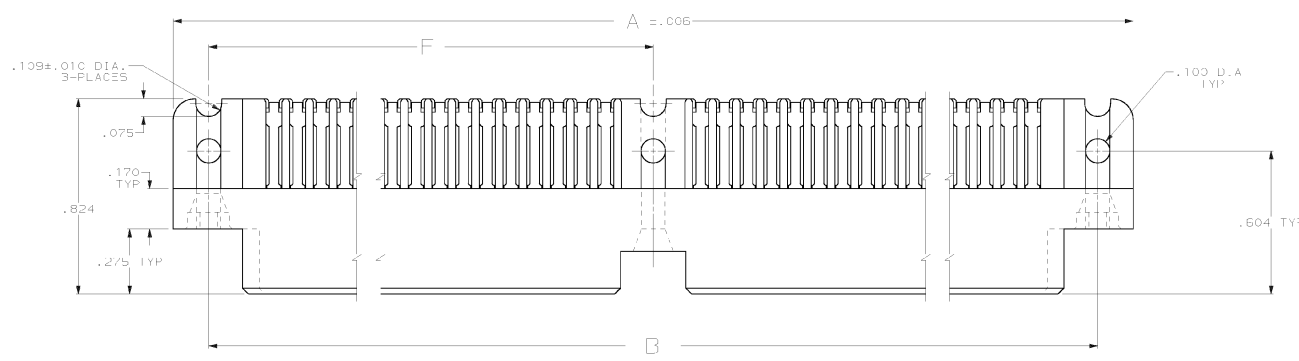
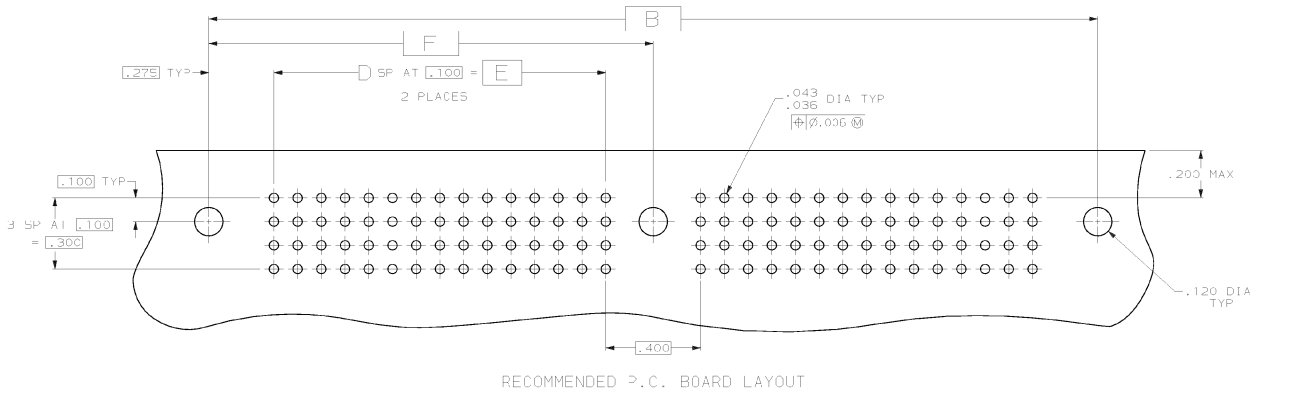
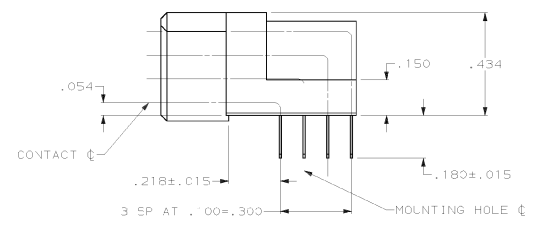


REV	DATE	BY	CHK	APP'D	DESCRIPTION	DATE	APP'D
C					REDRAWN ON CAJ PER EUN A05477	6-11-91	
D					REVISED PER EUN 003 1013 93 T. S.		
E					ECN 0010-1164-93 CJ	8-6-93	JCM
F					ECN 0010-0762-94 TH	5/31/94	JHR
G					ECN 0010-1684-94 TH	11/16/94	NFS
H					REV PER EC 0J1B-0015-01	35 JAN 95	WM
J					REV PER EC 0J1B-0199-01	14 NOV 95	WM
K					REV PER EC10-0464-02	03 MAR 03	WM



- △ HOUSING MATERIAL: THERMOPLASTIC, BLACK.
- △ CONTACT MATERIAL: COPPER ALLOY.
- △ CONTACT FINISH: .000050-.000100 NICKEL UNDERPLATE ALL OVER WITH .000030 GOLD IN CONTACT AREA AND .000100-.000200 TIN-LEAD PLATED POSTS.



0350CLC	4.275	4.300	43	8.124	9.550	9.650	352	534048-5
0350CLE	6.375	5.900	59	12.324	12.250	13.050	480	534048-4
0350CLF	4.975	4.500	45	9.524	9.950	10.250	368	534048-3
	4.675	4.200	42	8.924	9.350	9.650	344	534048-2
10350CLC	4.375	3.900	39	8.324	8.750	9.050	320	534048-1
	F	E	D	C	B	A	NO OF POSN	PART NUMBER

<p>DO NOT SCALE PRINT. UNLESS SPECIFIED DIMENSIONS IN INCHES TOLERANCES ON 1/2 F.L.C. DEC ± .005 ANGLES</p>	<p>DR 6-11-91 J GALLUCCI B6 CHK 12/10/91 DAVID HOFFMAN APD 12/10/91 WAVE HILLHINES APD 12/10/91 VAN WEBSTER PRODUCT SPEC 108-1099</p>	<p>AMP AMP Incorporated Harrisburg, PA 17105-3606</p>
<p>FINISH △</p>	<p>APPLICATION SPEC -</p>	<p>NAME ASSEMBLY, RECEPTACLE, TWIN BEAM CONNECTOR, 4 ROW, 2 MOUNTING HOLES, 1 SLIDE PIN, .180 POST LENGTH</p>
<p>HEIGHT</p>	<p>SIZE 00779</p>	<p>DRAWING NO 534048</p>
	<p>SCALE: 4:1</p>	<p>SHEET: 1 OF 1</p>

CUSTOMER DRAWING