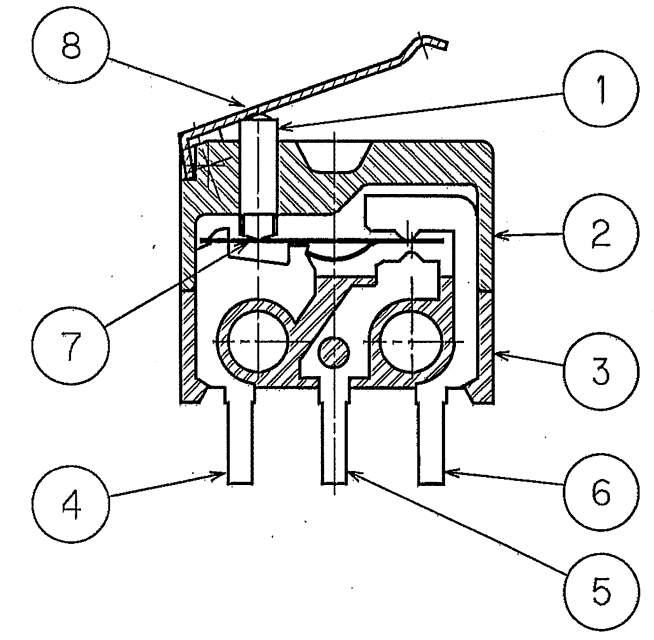
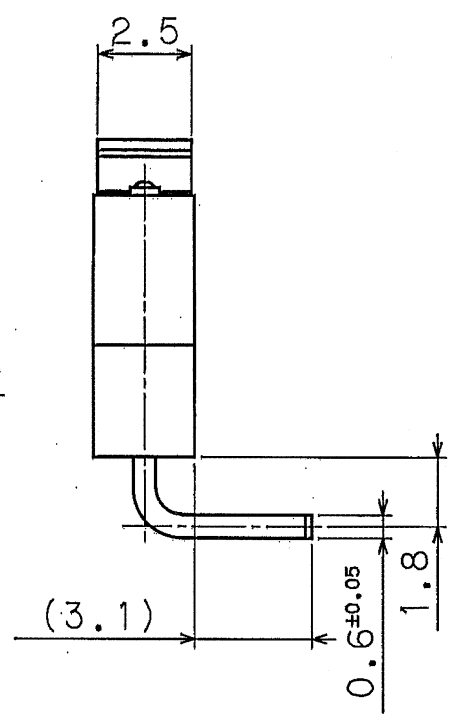
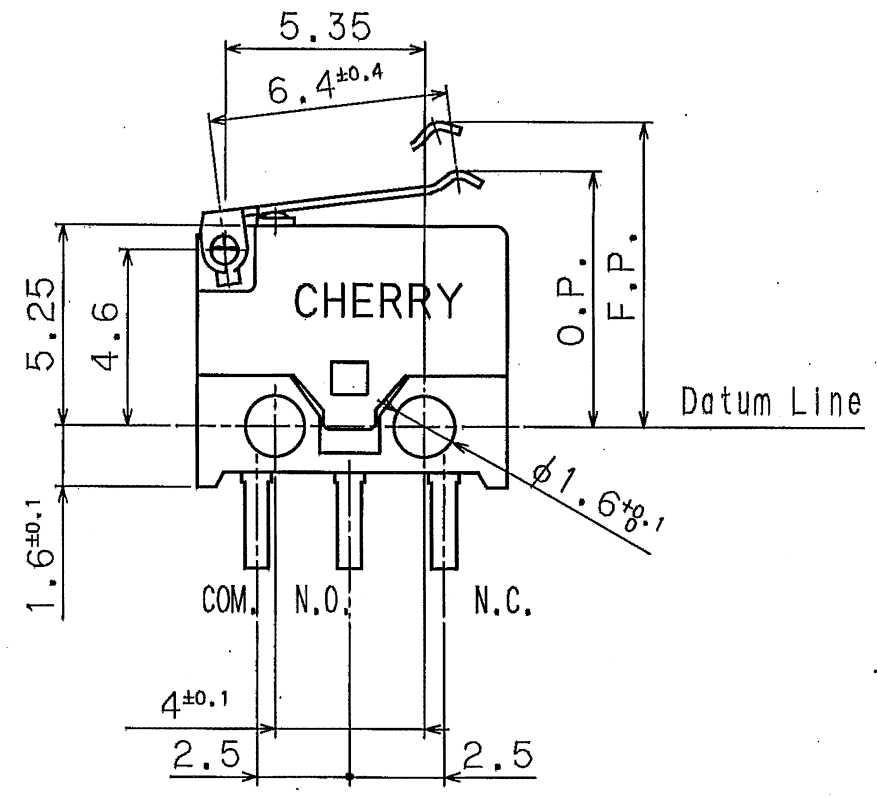


LOT No.
REF:01 3 A
A: MON.~WED.
B: THU.~SAT.
'03 year
1 week

NO.	NAME	MATERIAL	Qty
1	BUTTON	PBT	1
2	COVER	PBT	1
3	BASE UNIT	PPS (COLOR:BLACK)	1
4	TERMINAL (COM.)	BRASS (NI+Au PLATED)	1
5	TERMINAL (N.O.)	BRASS (NI+Au PLATED)	1
6	TERMINAL (N.C.)	BRASS (NI+Au PLATED)	1
7	BLADE	STAINLESS (NI+Au PLATED)	1
8	ACTUATOR	STAINLESS	1

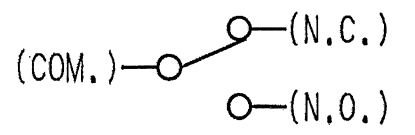


CONSTRUCTION



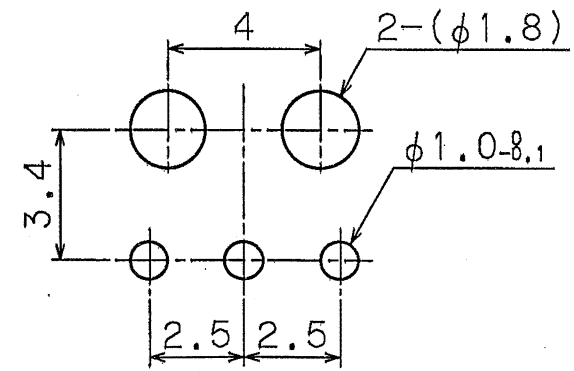
Note.1. Tolerance; unless otherwise specified ±0.2mm

CIRCUITRY



P-C Board Layout

Tolerance; ±0.05
(TOP VIEW)



REVISE	DATE	REVISE	DATE	DWN	CKD	APP	REMARKS
				H. Hagiwara	T. Miyazaki	[Signature]	
				10 Nov. '03	10 Nov. '03	10 Nov. '03	
ECN-64687	10 Nov. '03			SCALE	UNITS	PROJ.	
EDITION 1 FIXED	10 Nov. '03			NON	mm	3RD	
HIROSE CHERRY							DIVISION
							GEOO
Title	Micro Switch	Part No.	DH4C-C5LA	DWG No.	305425		