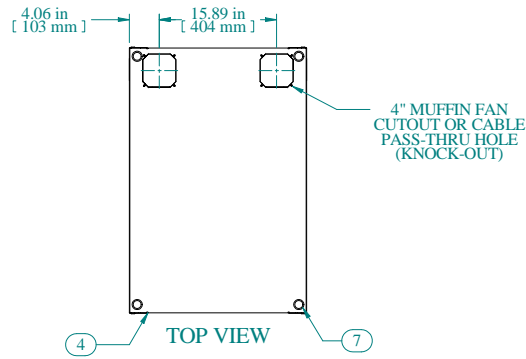
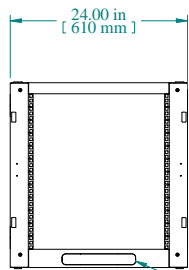
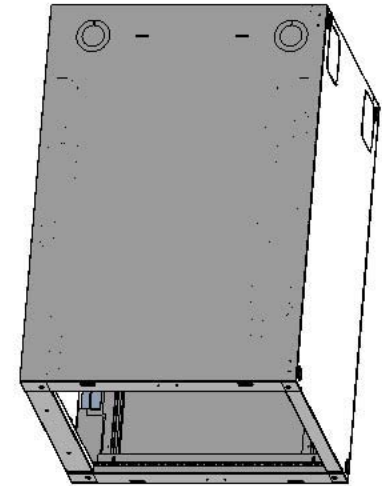


SECTION A-A



TOP VIEW

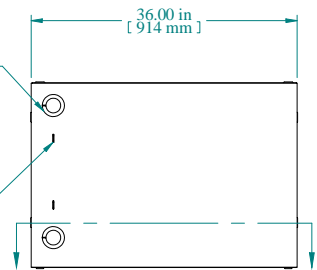


REAR VIEW

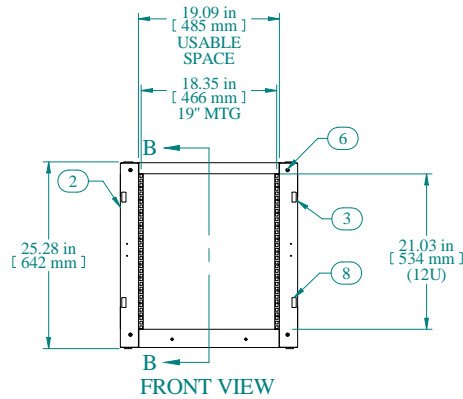
2.00 X 3.00
DOUBLE KNOCK-OUT
(2 PER SIDE)

CABLE-TIE LANCE
(5 PER SIDE)

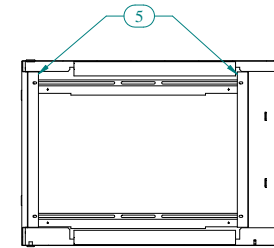
1.50 X 10.00
GLAND OPENING
(KNOCK-OUT)



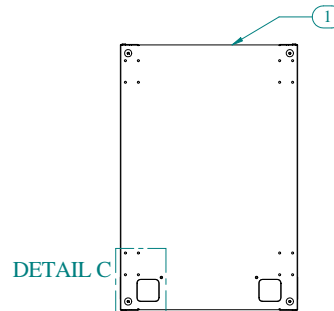
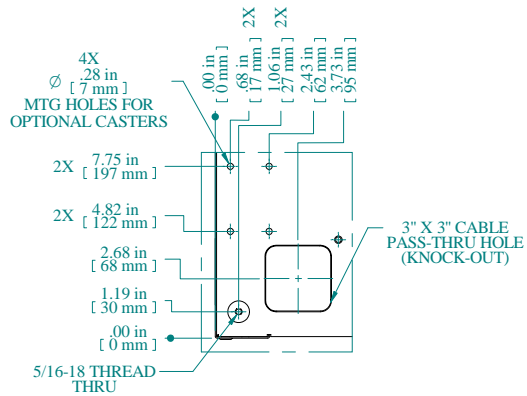
SIDE VIEW



FRONT VIEW



SECTION B-B



DETAIL C
BOTTOM VIEW

Item Number	Title	Quantity
1	RCSC - BOTTOM PANEL	1
2	RCSC - LH SIDE FRAME	1
3	RCSC - RH SIDE FRAME	1
4	RCSC - TOP PANEL	1
5	RCSC - 12U PUNCHED PANEL RAIL	4
6	SCREW M6 X 1.0 X 12MM	8
7	PLUG - 1.00" DIA. HOLE	4
8	PLUG - 0.38" X 1.13" CUTOUT	8
PART NUMBERS		
RCSC1902136BK1 PAINTED BLACK TEXTURED		

NOTES

Shipped knockdown for handling ease & protection
See Hammond Website for Additional Accessories

Data subject to change without notice. Isometric drawing not to scale.



**HAMMOND
MANUFACTURING™**

www.hammondmfg.com

PART NO. RCSC1902136