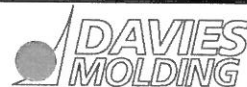


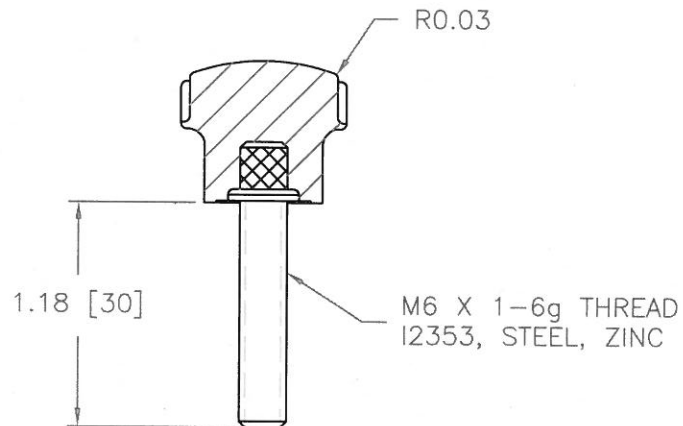
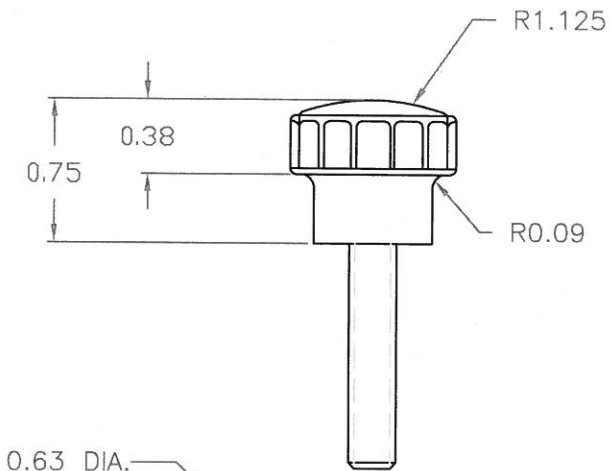
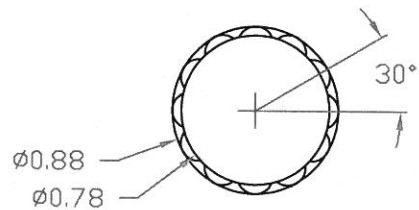
PART NAME: KNOB      SCALE: 1:1      DATE: 2/6/17      DR. BY JAM

THIS DRAWING IS THE PROPERTY OF DAVIES MOLDING COMPANY, IS SUBMITTED SOLELY AS A DESIGN OR ENGINEERING PROJECT. WE ACCEPT NO RESPONSIBILITY WHATSOEVER FOR THE PRACTICAL APPLICATION OF THE PIECES MADE TO THIS DESIGN.



DESIGNERS & MANUFACTURERS OF KNOBS, HANDLES, CASES & CUSTOM PLASTIC COMPONENTS

|                  |        |
|------------------|--------|
| P/N              | 2965QF |
| M <sup>NO.</sup> | 2965   |
| CAVITY           | 2965   |
| PLUNGER          | 2965   |
| CHASE            | 2965   |
| PIN              | 2965HY |
| SHIM             | # 8    |
| INSERT           | I2353  |



MATERIAL: 04311 PHENOLIC (B41)  
COLOR: BLACK

|   |                                  |         |  |  |
|---|----------------------------------|---------|--|--|
| TOLERANCES:<br>UNLESS OTHERWISE SPECIFIED | DO NOT SCALE<br>DRAWING          |         |  |  |
| DECIMALS: X.XXX ± .005<br>X.XX ± .015     | MM: X.XX ± 0.15MM<br>X.X ± 0.4MM |         |  |  |
| FRACTIONS ± 1/64                          | ANG. ± 1°                        | CHANGES |  |  |