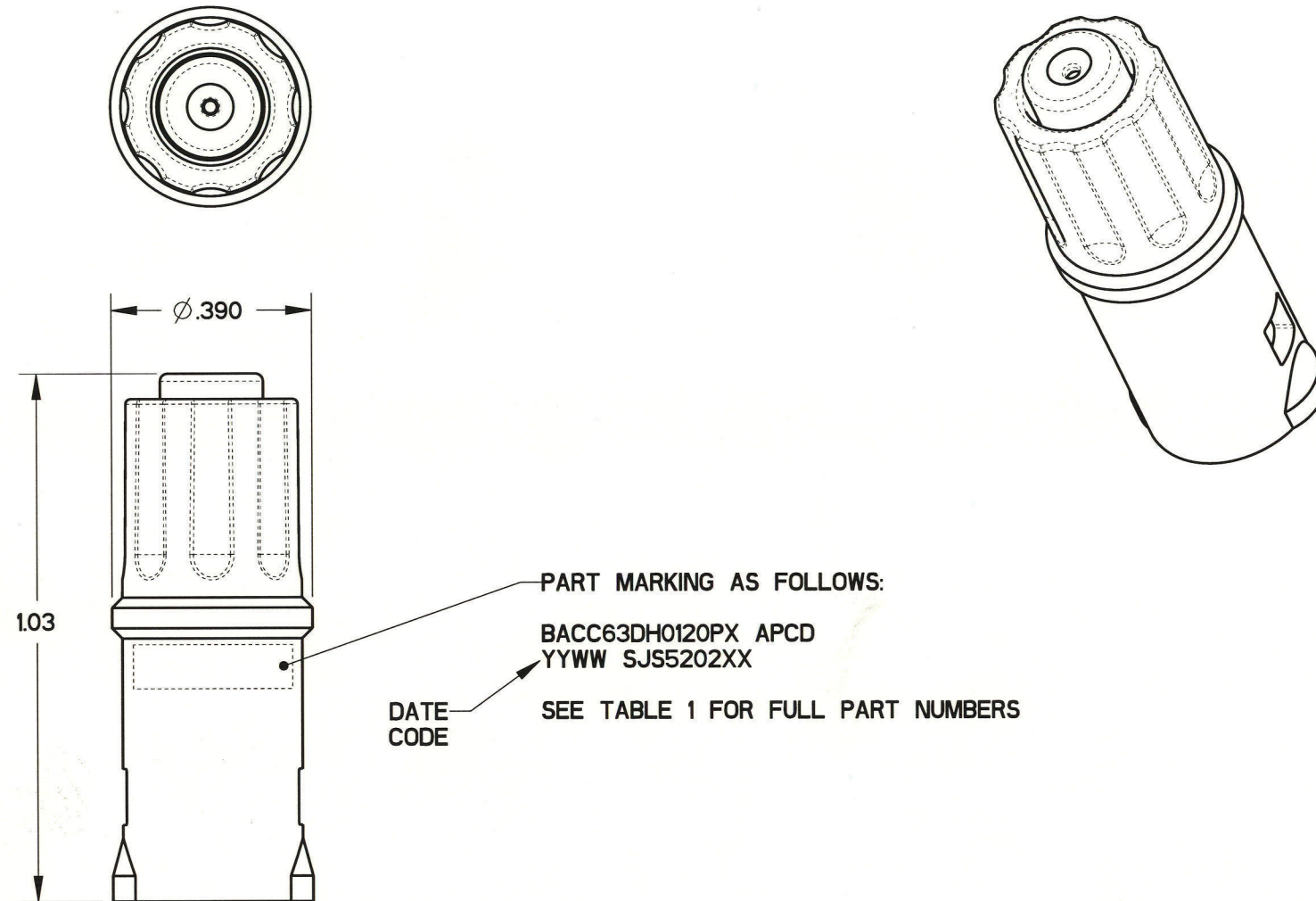


REV	ECN	APP'D
-	5663	J. TON
A	5706	J. TON
B	5720	J. TON
C	5796	J. Ton 9-11-06



PART MARKING AS FOLLOWS:
 BACC63DH0120PX APCD
 YYWW SJS5202XX
 DATE CODE
 SEE TABLE 1 FOR FULL PART NUMBERS

NOTES:

- MATERIALS:
 HOUSING: PA 6/6
 CONTACT RETAINER: STAINLESS STEEL
 GROMMET: SILICONE RUBBER PER A-A-59588
 SEAL: SILICONE RUBBER PER A-A-59588
- OPERATING RANGE:
 TEMPERATURE: -65 °C TO 160 °C
 INSULATION RESISTANCE: 5000 MEGOHMS MINIMUM
 DIELECTRIC WITHSTANDING VOLTAGE: 1500 VRMS SEA LEVEL
 200 VRMS @100,000 FT. ALTITUDE
 CURRENT RATING: 7.5 AMPS
 VIBRATION: PER EIA-364-D METHOD 28
- ACCEPTS (1) M39029/58-363 PIN CONTACT (NOT INCLUDED)
- CONTACT RETENTION - MUST LOCK 25 LBS
- LOCKING FEATURE - NO BREAK 25 LBS

TABLE 1 - PART NUMBER SCHEME		
APCD PART#	BACC PART#	COLOR
SJS520200	BACC63DH0120PG	GREEN
SJS520210	BACC63DH0120PY	YELLOW

DIMENSIONS ANSI Y14.5M UNITS: INCHES Pro/E FILE	TOLERANCES .XX ±0.01 .XXX ±0.005 ANGLES ±1.0°	PROJECTION 	Amphenol Pcd SPECIFICATION DRAWING		TITLE IN-LINE JUNCTION SINGLE WIRE, SIZE 20 RECEPTACLE		
			ENGR S. STONE 10/19/05	CHKD J. TON 10/19/05		SIZE B	DWG NO. SJS520200
ORIGINAL 	THIS DOCUMENT CONTAINS PROPRIETARY INFORMATION WHICH IS THE CONFIDENTIAL PROPERTY OF AMPHENOL PCD INC., PEABODY, MA		APPD J. TON 10/19/05	CODE: 58982	SCALE: 3:1	SHEET 1 OF 1	

SJS520200

SJS520200