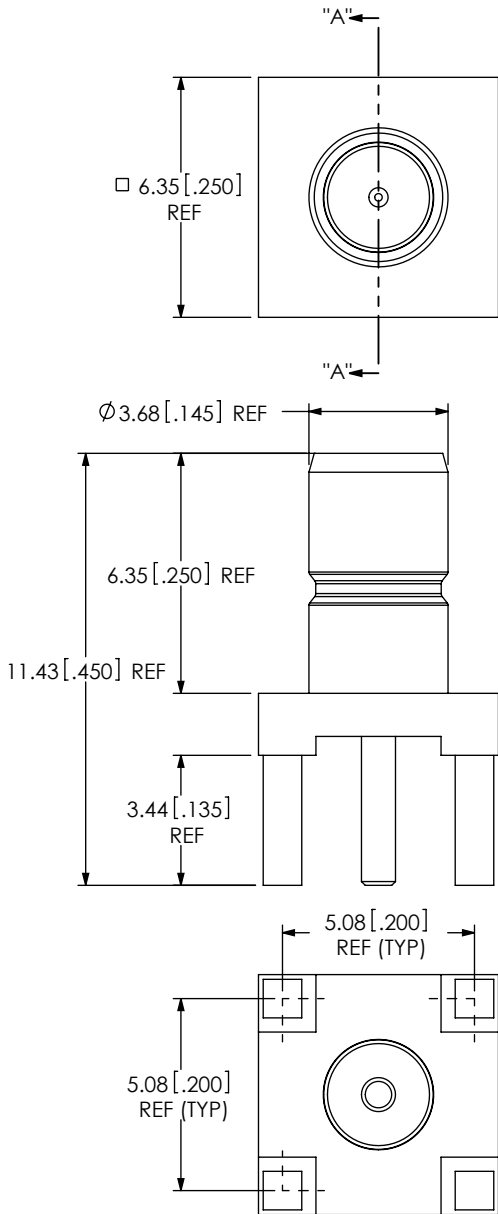


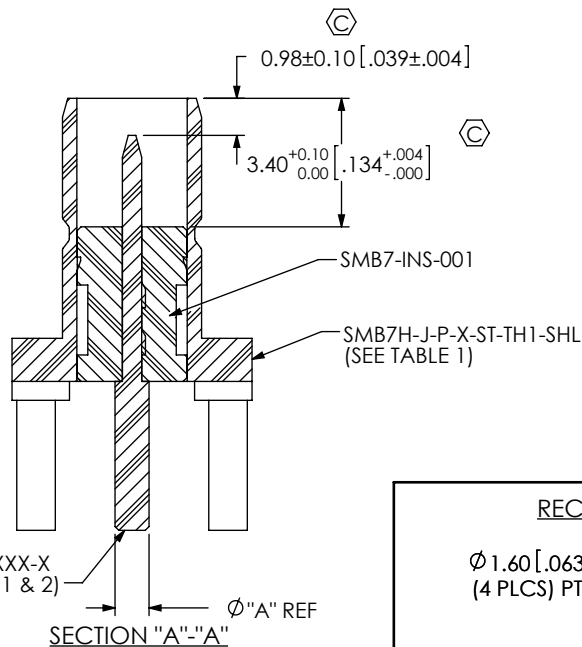
DO NOT SCALE FROM THIS PRINT

DESIGNED & DIMENSIONED IN MILLIMETERS [INCHES]



TERMINATION	"A"	"B"	PIN
-TH1	0.90 [.035] REF	1.20 [.047]	SMB7-PIN-001-H
-TH2	0.51 [.020] REF	0.81 [.032]	SMB7-PIN-002-H

COMPONENT	-H
SHELL	SMB7H-J-P-F-ST-TH1-SHL
PIN	SMB7-PIN-XXX-H (SEE TABLE 2)
INSULATOR	SMB7-INS-001



SMB7H-J-P-X-ST-THX

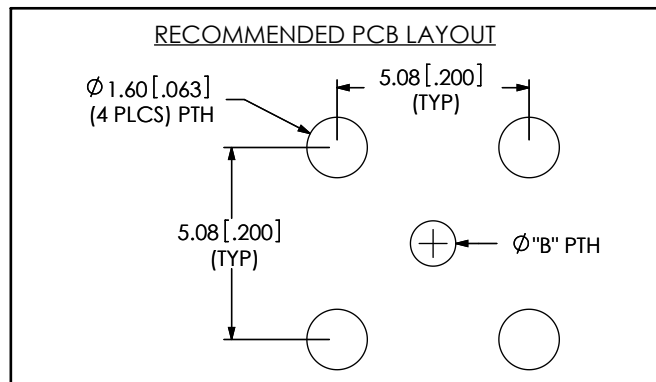
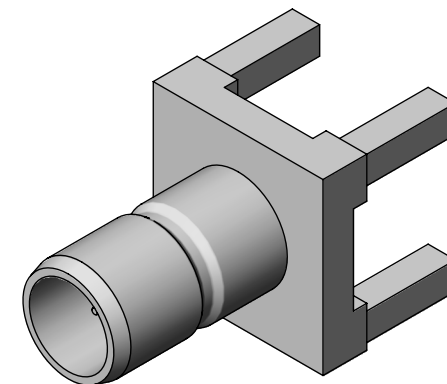
GENDER
-J: JACK

TYPE
-P: PCB

TERMINATION
-TH1: THROUGH HOLE WITH Ø0.90 POST
-TH2: THROUGH HOLE WITH Ø0.51 POST

ORIENTATION
-ST: STRAIGHT

PLATING
(VALUES GIVEN IN MICRO-INCHES)
-H: HEAVY GOLD
30 AU / 50 NI ON CENTER CONTACT
3 AU / 50 NI ON OUTER CONTACT
(SEE TABLE 1)



NOTES:

- ⊕ REPRESENTS A CRITICAL DIMENSION.
- MINIMUM PUSHOUT FORCE FOR INSULATOR: 35.58 N [8.0 LB] .
- MINIMUM PUSHOUT FORCE FOR CENTER CONTACT: 17.79 N [4.0 LB].
- SEE PACKAGING STANDARD CO-HD-WI-3040-M.
- NOTE DELETED.

F:\DWG\MISC\MKTG\SMB7H-J-P-X-ST-THX-MKT.SLDRW

UNLESS OTHERWISE SPECIFIED, DIMENSIONS ARE IN MILLIMETERS [INCHES]. TOLERANCES ARE:

DECIMALS ANGLES
.X: ±0.3 [.01] 5°
.XX: ±0.13 [.005]
.XXX: ±0.051 [.0020]

PROPRIETARY NOTE
THIS DOCUMENT CONTAINS CONFIDENTIAL AND PROPRIETARY INFORMATION AND ALL DESIGN, MANUFACTURING, REPRODUCTION, USE, PATENT RIGHTS AND SALES RIGHTS ARE EXPRESSLY RESERVED BY SAMTEC, INC. THIS DOCUMENT SHALL NOT BE DISCLOSED, IN WHOLE OR PART, TO ANY UNAUTHORIZED PERSON OR ENTITY NOR REPRODUCED, TRANSFERRED OR INCORPORATED IN ANY OTHER PROJECT IN ANY MANNER WITHOUT THE EXPRESS WRITTEN CONSENT OF SAMTEC, INC.

MATERIAL: DO NOT SCALE DRAWING SHEET SCALE: 5:1

CONTACT, SHELL: BRASS
INSULATOR: PTFE



520 PARK EAST BLVD, NEW ALBANY, IN 47150
PHONE: 812-944-6733 FAX: 812-948-5047
e-Mail: info@SAMTEC.com code: 55322

DESCRIPTION:
SMB7 STRAIGHT THROUGH HOLE JACK- 75 OHM

DWG. NO. SMB7H-J-P-X-ST-THX

BY: G. HERMAN 03/25/2008 SHEET 1 OF 1