

THE INFORMATION CONTAINED HEREIN IS CONSIDERED "PROPRIETARY" TO BEL FUSE INC. AND SHALL NOT BE COPIED, REPRODUCED OR DISCLOSED WITHOUT THE WRITTEN APPROVAL OF BEL FUSE INC.

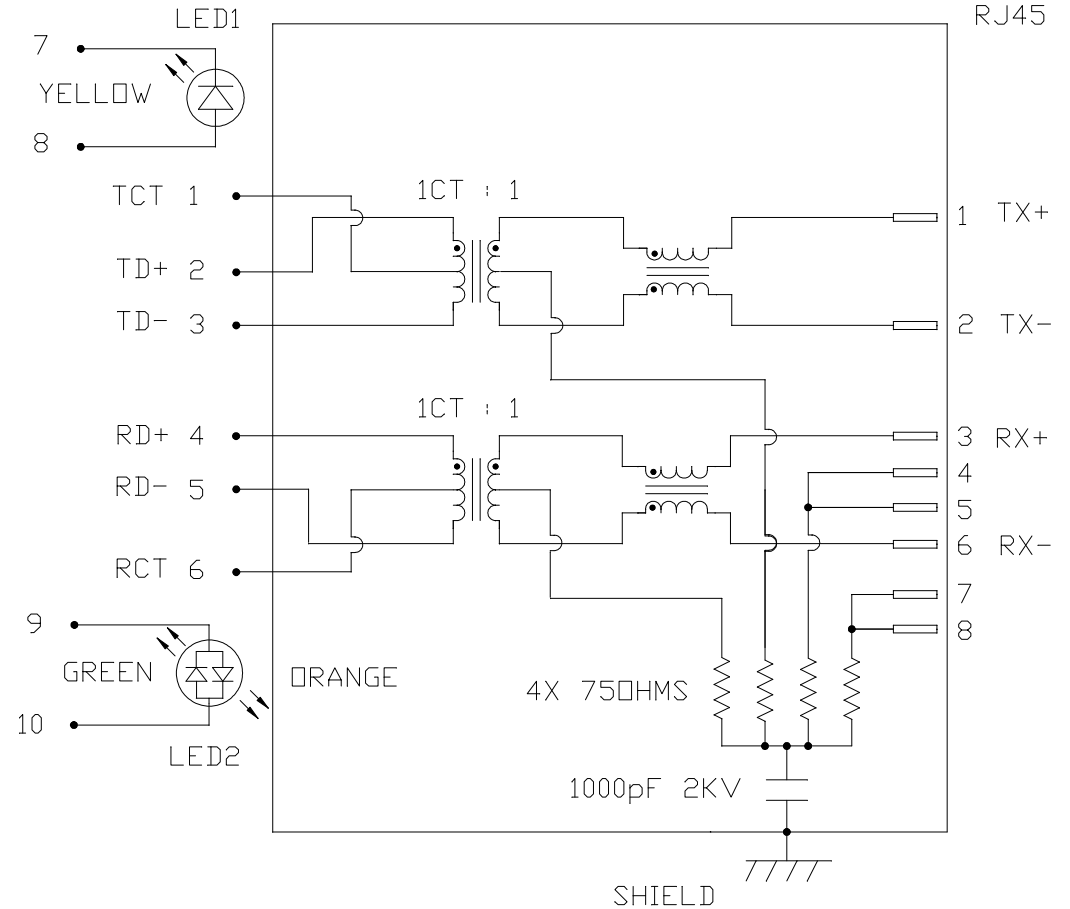
LED1 POLARITY			LED2 POLARITY		
PIN 7	PIN 8	COLOR	PIN 9	PIN 10	COLOR
-	+	YELLOW	+	-	ORANGE
			-	+	GREEN

SCHEMATIC



ELECTRICAL CHARACTERISTICS @ 25°C

<p> TRANSFORMER CHARACTERISTICS TURNS RATIO TX 1CT : 1 RX 1CT : 1 OCL @ 100kHz/100mVRMS 8mA DC BIAS 350µH MIN. INS. LOSS 1MHz TO 100MHz -1.0 dB MAX RET. LOSS (MIN) 1MHz-30MHz -18 dB 30MHz-60MHz -18+20LOG(F/30MHz) dB 60MHz-80MHz -12 dB CROSS TALK (TX - RX) 500kHz-1MHz -70 dB MIN 10 MHz -50 dB MIN 30 MHz -45 dB MIN 50 MHz -40 dB MIN 100 MHz -35 dB MIN CM TO CM REJ 100kHz-1MHz -70 dB MIN 10 MHz -47 dB MIN 30 MHz -42 dB MIN 60 MHz -37 dB MIN 100 MHz -30 dB MIN CM TO DM REJ 100kHz-1MHz -70 dB MIN 10 MHz -60 dB MIN 30 MHz -50 dB MIN 60 MHz -45 dB MIN 100 MHz -40 dB MIN HIPOT (Isolation Voltage): 1500 Vrms 100% OF PRODUCTION TESTED TO COMPLY WITH IEEE 802.3 ISOLATION REQUIREMENTS. </p>	<p> LED1 VF (FORWARD VOLTAGE) IF=20mA YELLOW 2.1V TYP. λD (DOMINANT WAVELENGTH) IF=20mA YELLOW 590nm TYP. LED 2 VF (FORWARD VOLTAGE) IF=20mA ORANGE 2.0V TYP. GREEN 2.2V TYP. λD (DOMINANT WAVELENGTH) IF=20mA ORANGE 605nm TYP. GREEN 570nm TYP. </p>
---	---



ORIGINATED BY
 CHOW WANCHUNG
DATE 2014-01-07
DRAWN BY
 HU XIANG
DATE 2014-01-07

TITLE
 MagJack®
 (4 Cores, MDIX, CM Termination)
 08B0-1X1T-36-F
 PATENTED

PART NO. / DRAWING NO.
 08B01X1T36-F
FILE NAME
 08B01X1T36-F_C.DWG

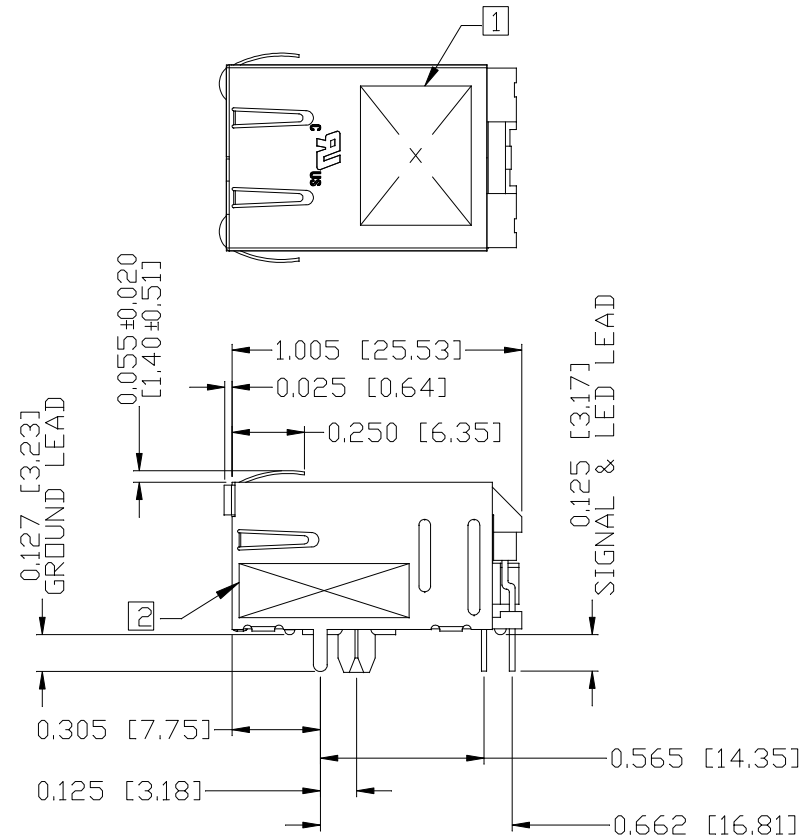
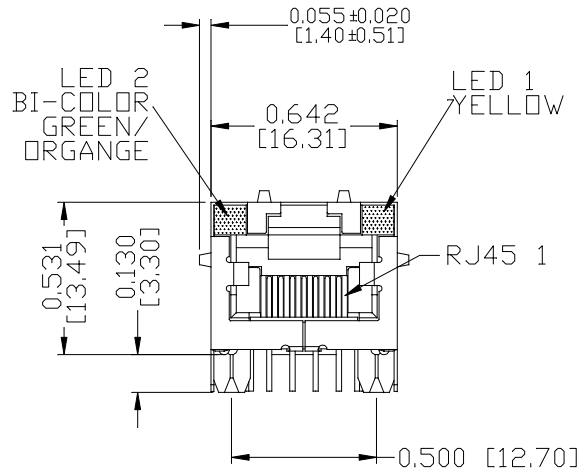
STANDARD DIM.	[] METRIC DIM.
TOL. IN INCH	AS REF.
.X	UNIT : INCH [mm]
.XX	SCALE : N/A
.XXX	SIZE : A4

REV. : C PAGE : 2

a bel group

THE INFORMATION CONTAINED HEREIN IS CONSIDERED "PROPRIETARY" TO BEL FUSE INC. AND SHALL NOT BE COPIED, REPRODUCED OR DISCLOSED WITHOUT THE WRITTEN APPROVAL OF BEL FUSE INC.

MECHANICAL SPECIFICATION



NOTES:

- PLASTIC HOUSING: THERMOPLASTIC PBT
FLAMMABILITY RATING UL 94V-0
- CONTACTS PLATING: 15 MICRO-INCH HARD GOLD PLATING OR EQUIVALENT.
- PINS: TIN-COATED COPPER WIRE, DIA 0.018 INCH.
- METAL SHIELD: PRE-PLATED NICKEL ON COPPER ALLOY.
- [1] MARK PART WITH MFG LOGO, MFG NAME, PART NUMBER AND DATE CODE.
- [2] "PATENTED" MARKING.

- 3. THE PRODUCT IS RoHS COMPLIANT.
- 4. JACK CAVITY CONFORMS TO FCC RULES AND REGULATIONS, PART 68 SUBPART F.
- 5. THE PRODUCT IS PATENTED. THE PATENT NUMBER IS U.S. PAT. 5,736,910.

UL RECOGNIZED - FILE #E196366 AND E169987.

REV. : C PAGE : 3

ORIGINATED BY
ANTON LIAO
DATE 2014-01-07
DRAWN BY
JESSE LI
DATE 2014-01-07

TITLE
MagJack®
(4 Cores, MDIX, CM Termination)
08B0-1X1T-36-F
PATENTED

PART NO. / DRAWING NO.
08B01X1T36-F
FILE NAME
08B01X1T36-F_C.DWG

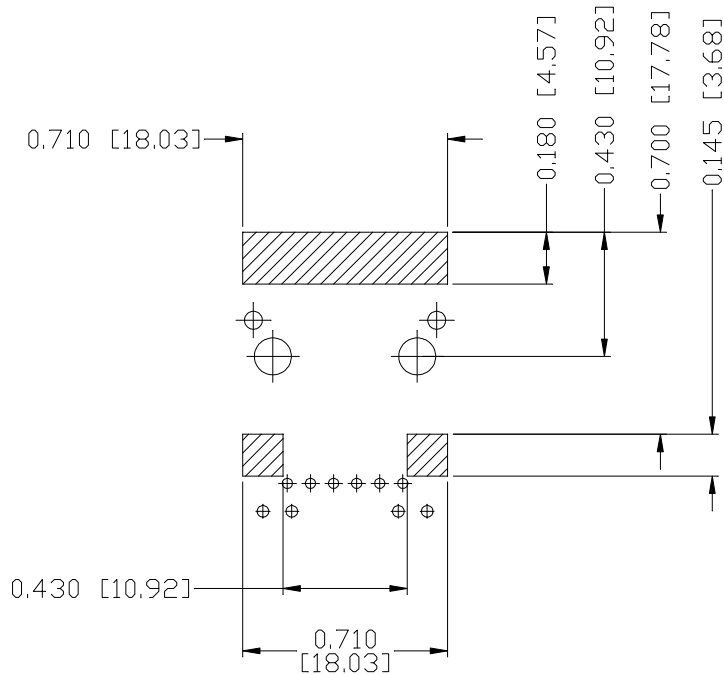
STANDARD DIM. TOL. IN INCH
.X
.XX
.XXX ±0.010

[] METRIC DIM. AS REF.
UNIT : INCH [mm]
SCALE : N/A
SIZE : A4

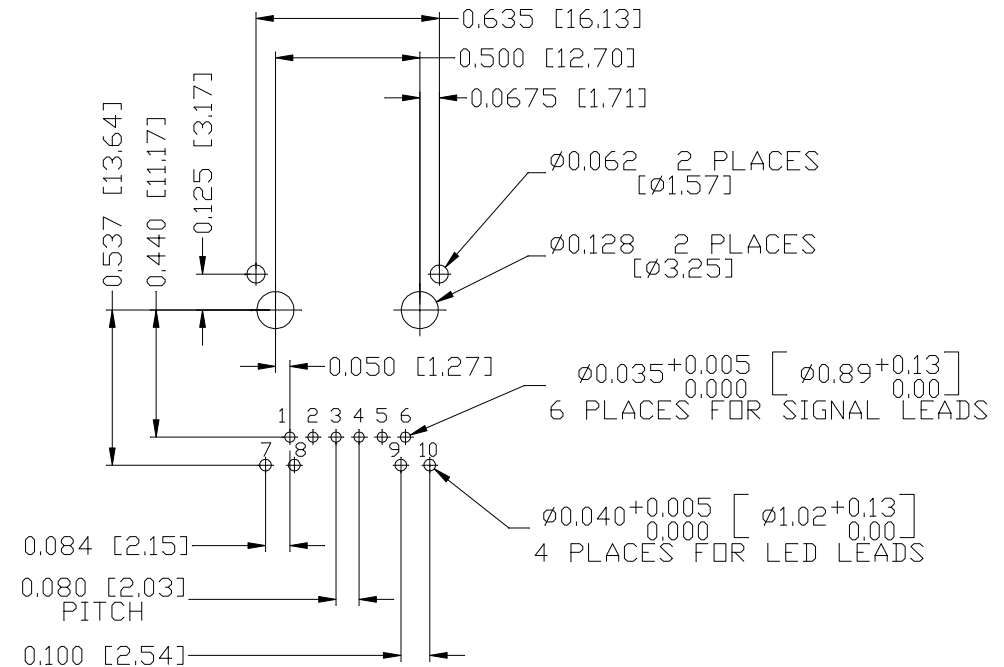


THE INFORMATION CONTAINED HEREIN IS CONSIDERED "PROPRIETARY" TO BEL FUSE INC. AND SHALL NOT BE COPIED, REPRODUCED OR DISCLOSED WITHOUT THE WRITTEN APPROVAL OF BEL FUSE INC.

RoHS



RECOMMENDED PCB FOOTPRINT
COMPONENT SIDE VIEW



NOTES:

THE SHADED AREA ON THE CUSTOMER BOARD ARE RECOMMENDED TO BE CLEAR OFF ANY VIA HOLE OR COMPONENT PAD.

REV. : C PAGE : 4

ORIGINATED BY
ANTON LIAO
DATE 2014-01-07
DRAWN BY
JESSE LI
DATE 2014-01-07

TITLE
MagJack®
(4 Cores, MDIX, CM Termination)
08B0-1X1T-36-F
PATENTED

PART NO. / DRAWING NO.
08B01X1T36-F
FILE NAME
08B01X1T36-F_C.DWG

STANDARD DIM. TOL. IN INCH		[] METRIC DIM. AS REF.
.X		UNIT : INCH [mm]
.XX		SCALE : N/A
.XXX	±0.004	SIZE : A4

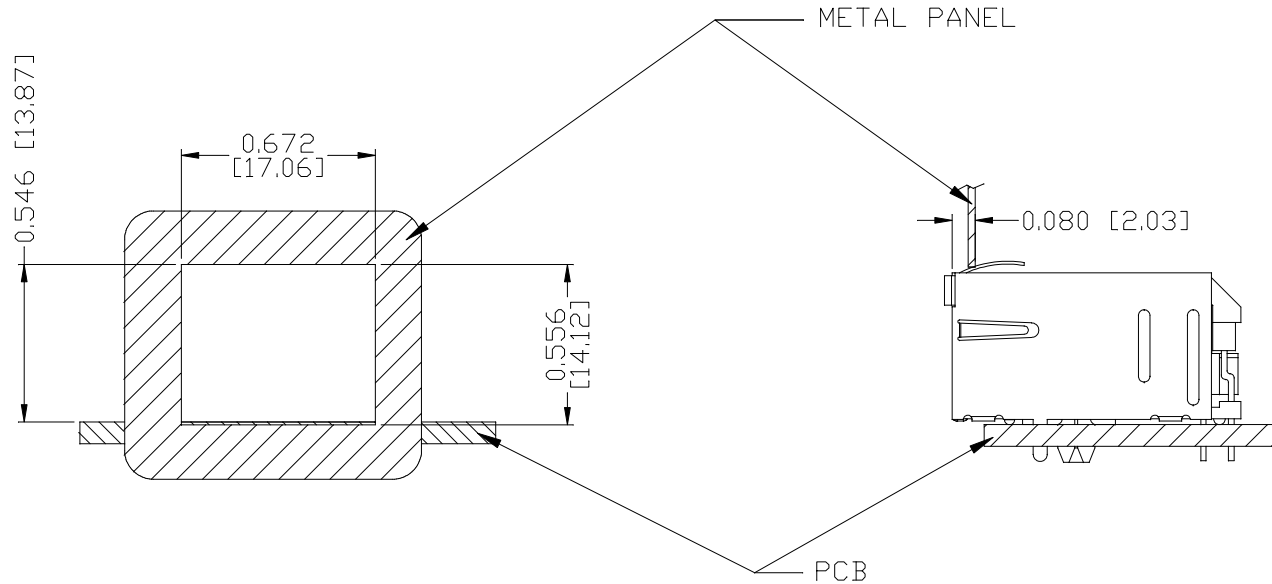


THE INFORMATION CONTAINED HEREIN IS CONSIDERED "PROPRIETARY" TO BEL FUSE INC. AND SHALL NOT BE COPIED, REPRODUCED OR DISCLOSED WITHOUT THE WRITTEN APPROVAL OF BEL FUSE INC.

RoHS



SUGGESTED PANEL OPENING



NOTE:

THE DISTANCE OF PANEL INSIDE SURFACE RELATIVE TO FRONT SURFACE OF PART IS ONLY A SUGGESTION. IN CASE THIS DISTANCE IS DIFFERENT, THE REQUIRED PANEL OPENING DIMENSIONS CHANGE ACCORDINGLY.

PACKING INFORMATION

PACKING TRAY : 0200-9999-D4(TOP)

0200-9999-D5(BOTTOM)

PACKING QUANTITY : 60 PCS FINISHED GOODS PER TRAY

11 TRAYS (660 PCS FINISHED GOODS) PER CARTON BOX

NOTE : CARDBOARDS ARE PLACED BETWEEN LAYERS OF PACKING TRAY INSIDE CARTON BOX

(INCLUDE THE UPPERMOST AND LOWERMOST TRAY)

REV. : C PAGE : 5

ORIGINATED BY
ANTON LIAO
DATE 2014-01-07

DRAWN BY
JESSE LI
DATE 2014-01-07

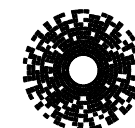
TITLE
MagJack®
(4 Cores, MDIX, CM Termination)

08B0-1X1T-36-F
PATENTED

PART NO. / DRAWING NO.
08B01X1T36-F

FILE NAME
08B01X1T36-F_C.DWG

STANDARD DIM. TOL. IN INCH		[] METRIC DIM. AS REF.
.X		UNIT : INCH [mm]
.XX		SCALE : N/A
.XXX	±0.004	SIZE : A4



bel MAGNETIC SOLUTIONS
a bel group