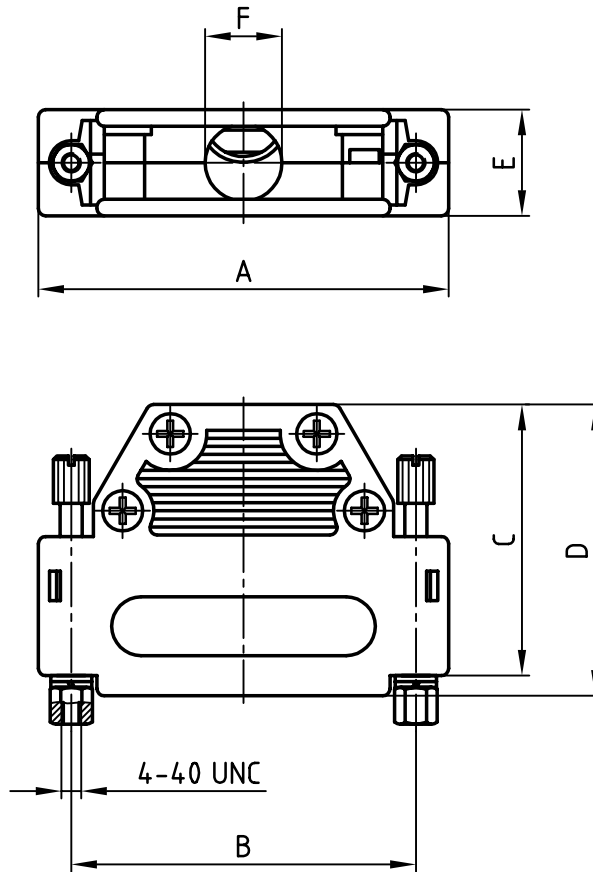


used for: D-SUB



No. of pos.	A	B	C	D	E	F	Part No:
9	34.0	25.0	25.0	27.75	14.5	8.5	165X14209X
15	42.3	33.3	37.0	39.75	14.5	10.0	165X14219X
25	56.0	47.0	37.0	39.75	14.5	10.5	165X14229X
37	72.5	63.5	37.0	39.75	14.5	10.5	165X14239X
50	70.0	61.1	50.0	50.00	21.0	10.5	165X14249X

NOTES:

- HOOD MATERIAL: POLYAMID + GF / GREY
- SCREWLOCK: MATERIAL: BRASS NICKEL-PLATING

Directive 2002/95/EC
RoHS
Compliant

THIS DRAWING MAY NOT BE COPIED OR REPRODUCED IN ANY WAY, AND MAY NOT BE PASSED ON TO A THIRD PARTY WITHOUT WRITTEN PERMISSION. OWNERSHIP AND COPYRIGHT OF CONEC GmbH DO NOT ALTER CAD DRAWING BY HAND	tolerance			scale: 1:1
				material: SEE NOTES
	2002	date	name	title: PLASTIC HOOD with straight cable exit and screw lock, 9 - 50 pos.
	drawn	04.03.	Schmidt	
	appd.	04.03.	Mickenbecker	
norm				
d-old	KAT11Y5A		dwg no: AutoCAD 2000	DIN-A
			16K1A671	4
			part no: SEE TABLE	sh: 1/1
rev.	description	date	name	