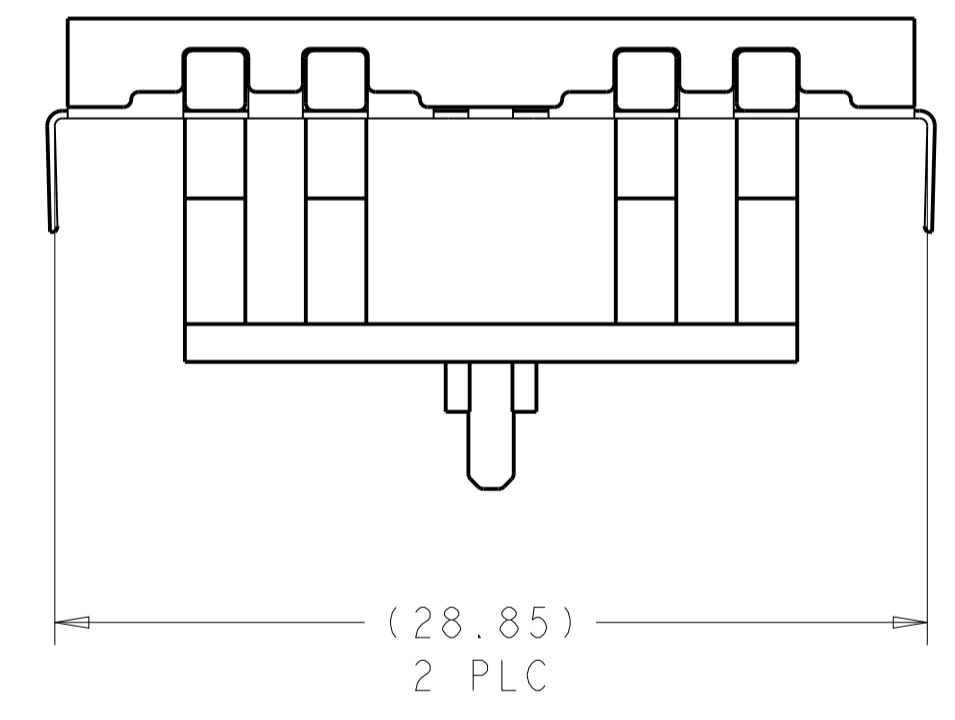
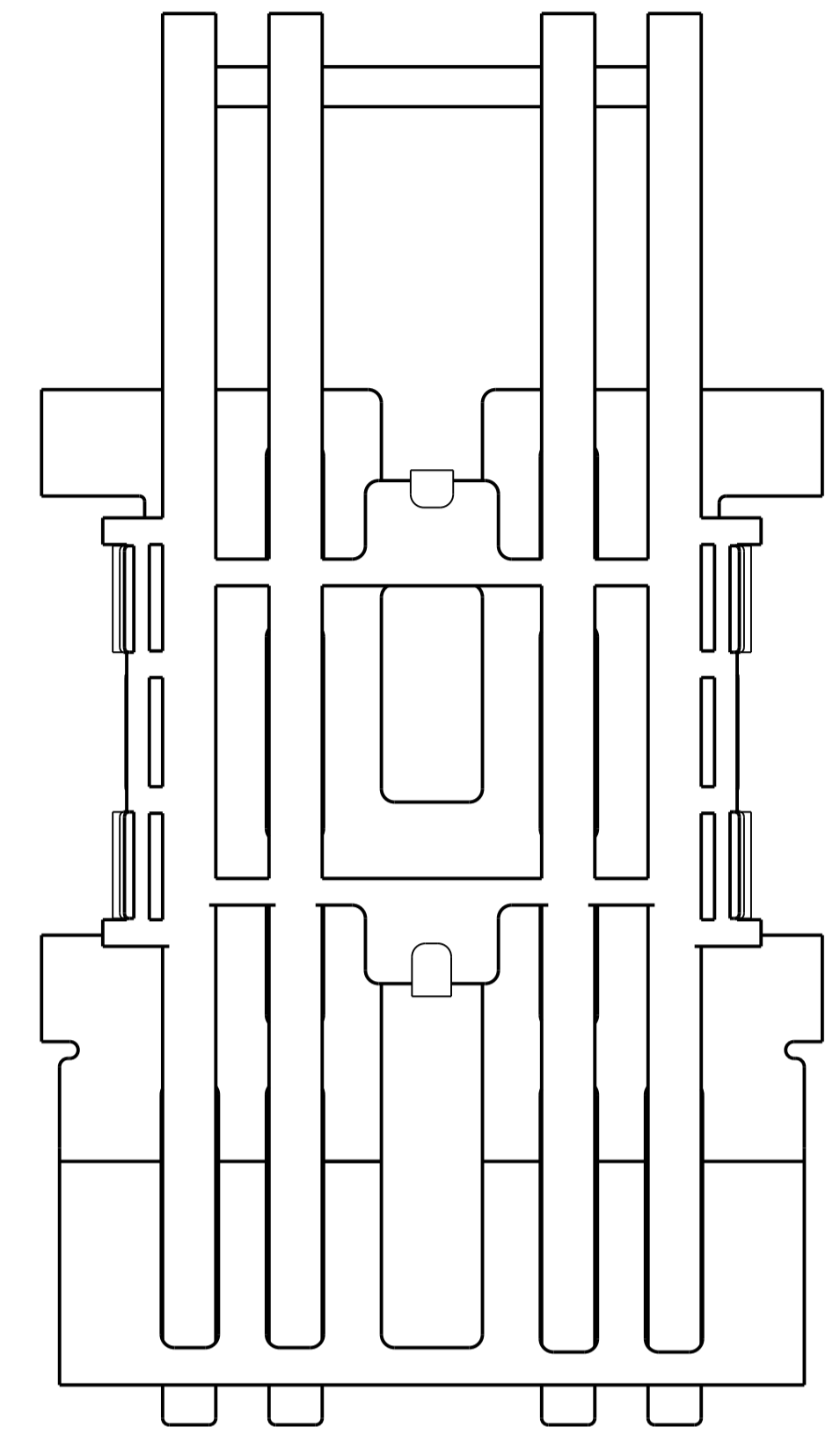
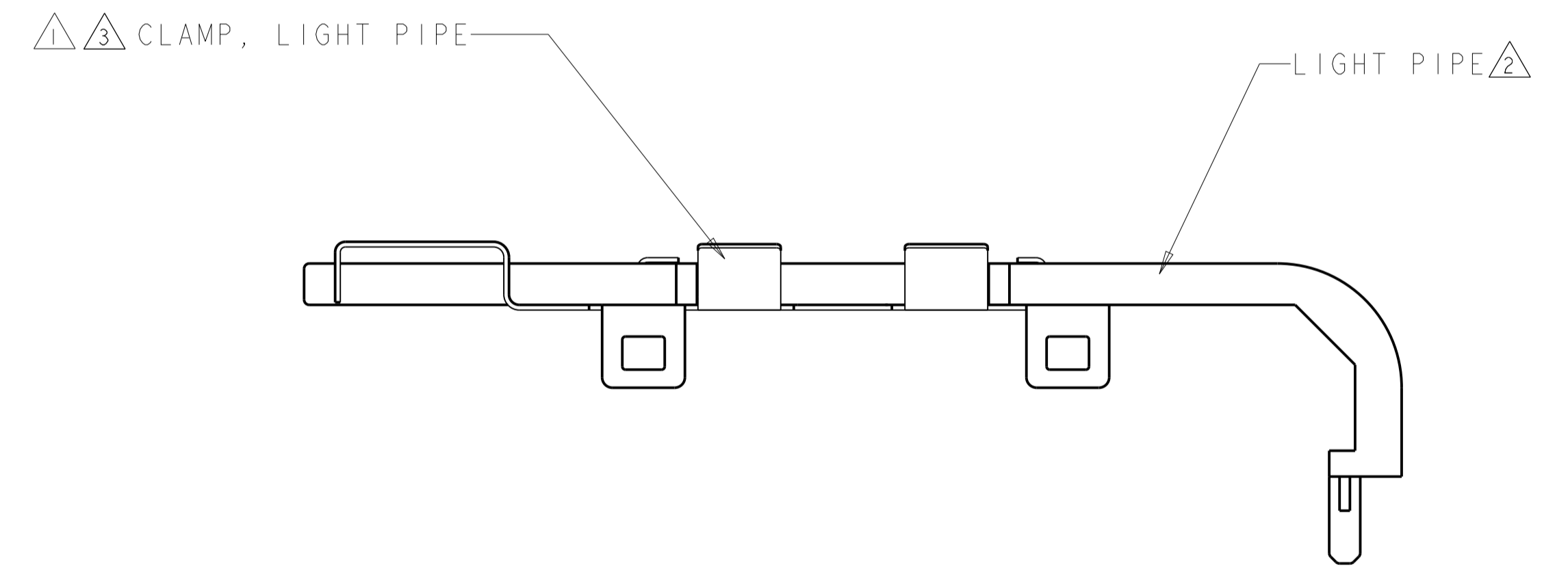


LOC	DIST	REVISIONS			
GP	00	REV	DATE	BY	CHK
		02	23MAR2004	WVS	MJP
		A	08JUL2004	MHC	JK
		A1	21MAY2007	ZMR	JRK
		A2	11JUL2014	JW	SH



- △ COPPER ALLOY, TIN PLATING PER ASTM B 545, 1.25 μm MINIMUM OVER NICKEL FLASH PER QQ-N-290. NONPLATED EDGES PERMISSIBLE
- △ POLYCARBONATE, CLEAR.
- △ NICKEL SILVER ALLOY (NO PLATING)



△	LIGHT PIPE KIT	1761011-3
△	LIGHT PIPE KIT	1761011-1
CLAMP MATERIAL	DESCRIPTION	ITEM NO

THIS DRAWING IS A CONTROLLED DOCUMENT.

DIMENSIONS:	TOLERANCES UNLESS OTHERWISE SPECIFIED:	OWN: W. VAN SCOY, 20FEB2004	
mm	0 PLC ±	CHK: M. PHILLIPS, 20FEB2004	
	1 PLC ±0.1	APVD: M. PHI, 20FEB2004	
	2 PLC ±	NAME: ASSEMBLY, LIGHT PIPE KIT, 1X2, SFP	
	3 PLC ±	PRODUCT SPEC	SIZE: A1
	4 PLC ±	APPLICATION SPEC	CAGE CODE: 1761011
	ANGLES ±	114-13120	RESTRICTED TO
MATERIAL:	FINISH:	WEIGHT:	SCALE: 4:1
			SHEET 1 OF 1
		CUSTOMER DRAWING	REV: A1