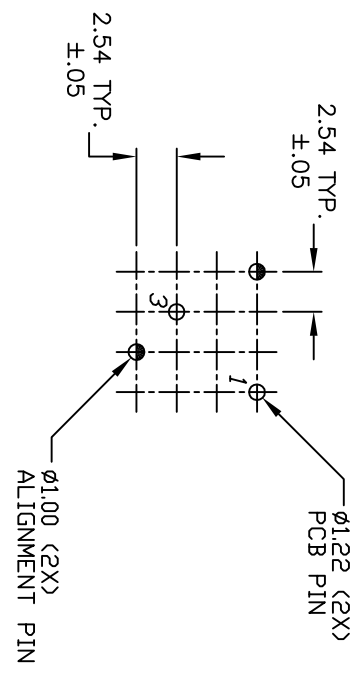
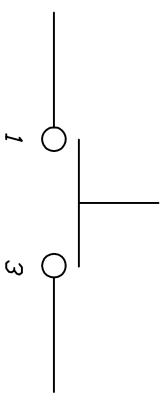
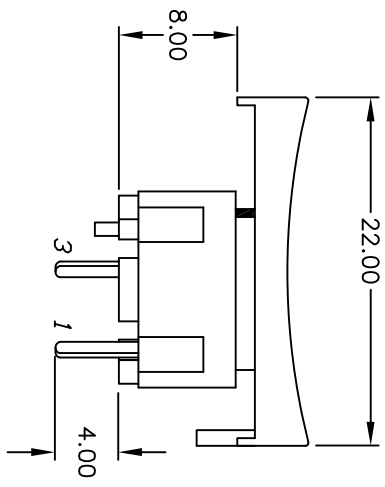
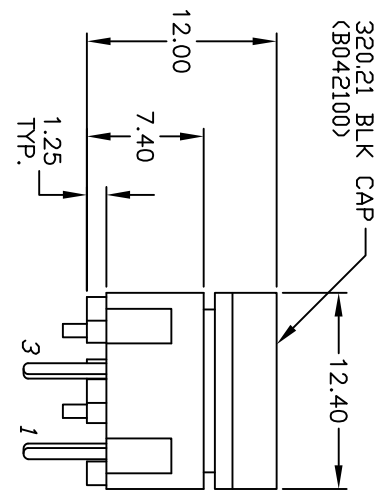


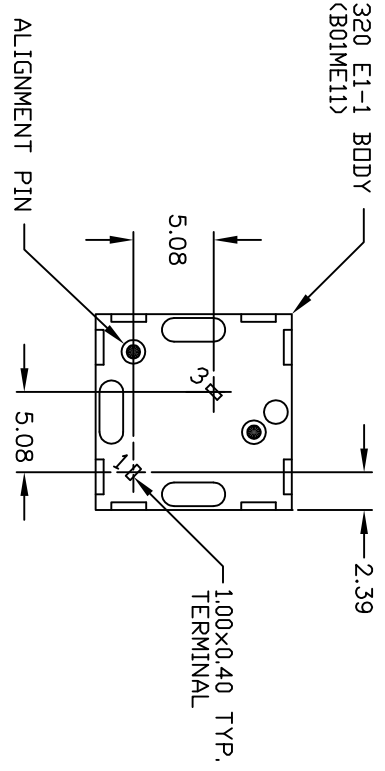
TOP VIEW - SHOW ORIENTATION OF LEGENDS
IN RESPECT TO THE PCB PIN TERMINALS.



RECOMMENDED P.C.B. LAYOUT



CIRCUIT: SPST
CONTACT CONFIGURATION



- NOTES:
1. ALL DIMENSIONS IN MM
 2. GENERAL TOLERANCE: X.X=±0.4
X.XX=±0.25
 3. RATING: 25mA, @50VDC
 4. OPERATING FORCE: 120GF
 5. TRAVEL TO MAKE: 0.7mm

REV.	ECN NO.	DESCRIPTION	DATE	CHKD
A	11752	RELEASED FOR PRODUCTION	10/17/01	CJB
THE INFORMATION CONTAINED IN THIS DOCUMENT IS PROPRIETARY TO E-SWITCH AND IS NOT TO BE COPIED OR TRANSFERRED				



TITLE		SCALE	DATE	DR	DWG	REV
320.21 E1-1 BLK		2:1	10/17/01	CB	XB0093P	A