

520415

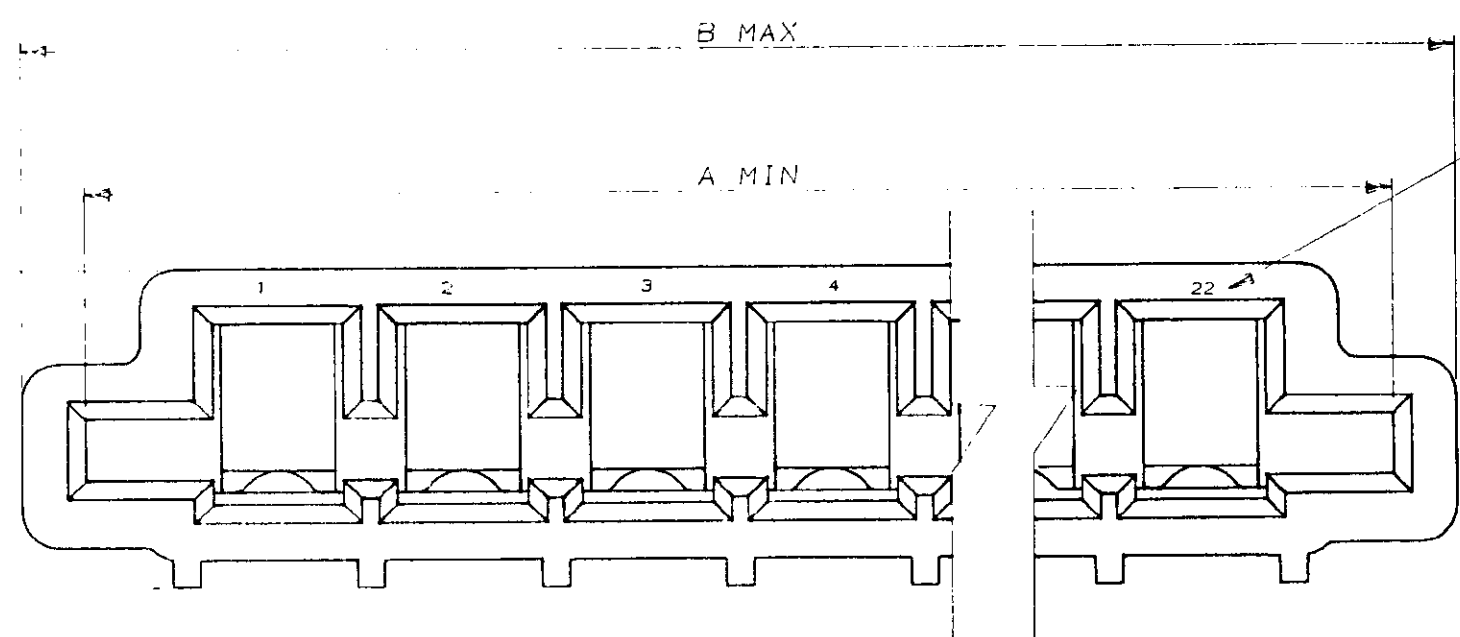
METRIC

3.00 MAX  
1.00 MAX

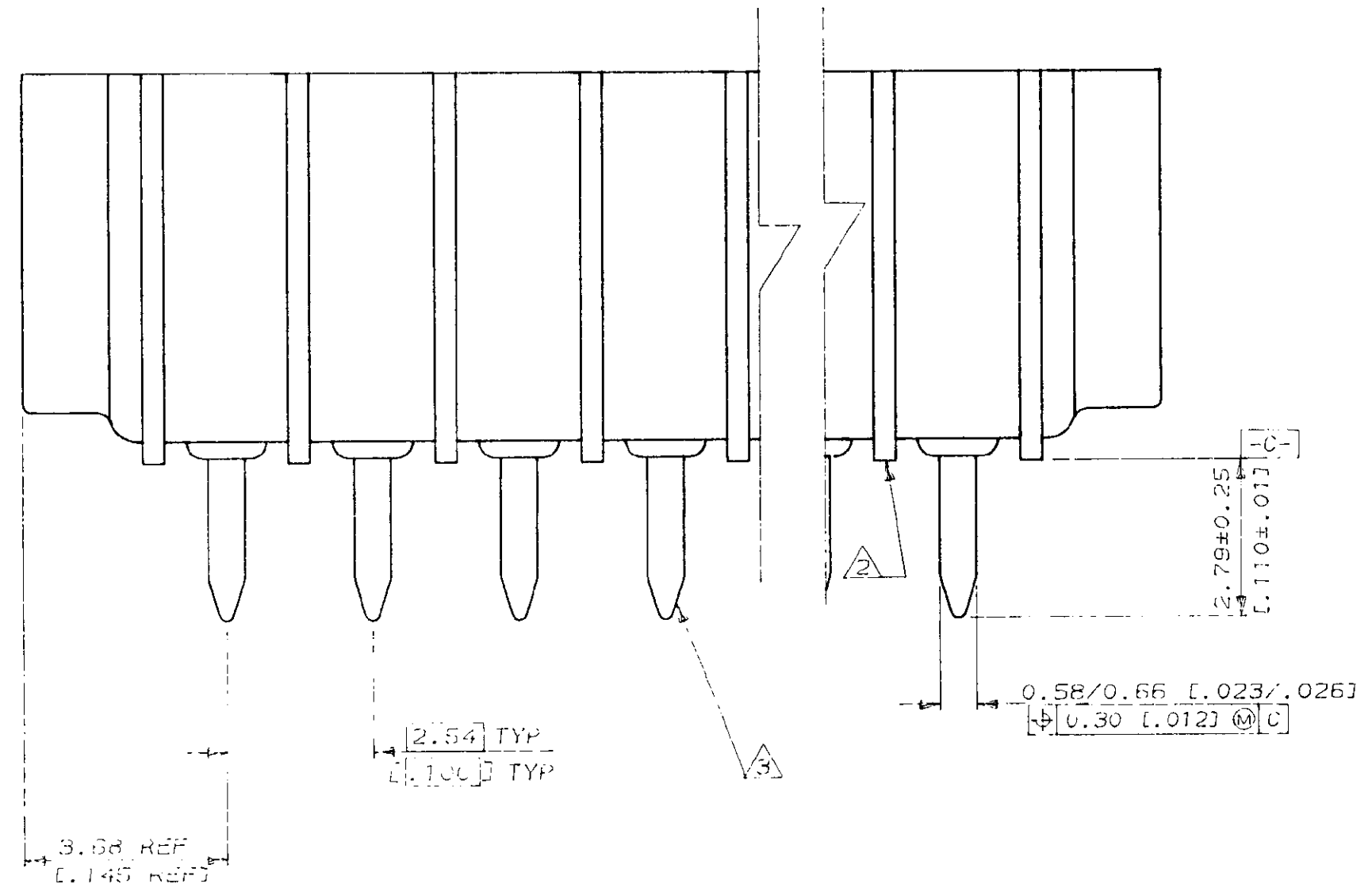
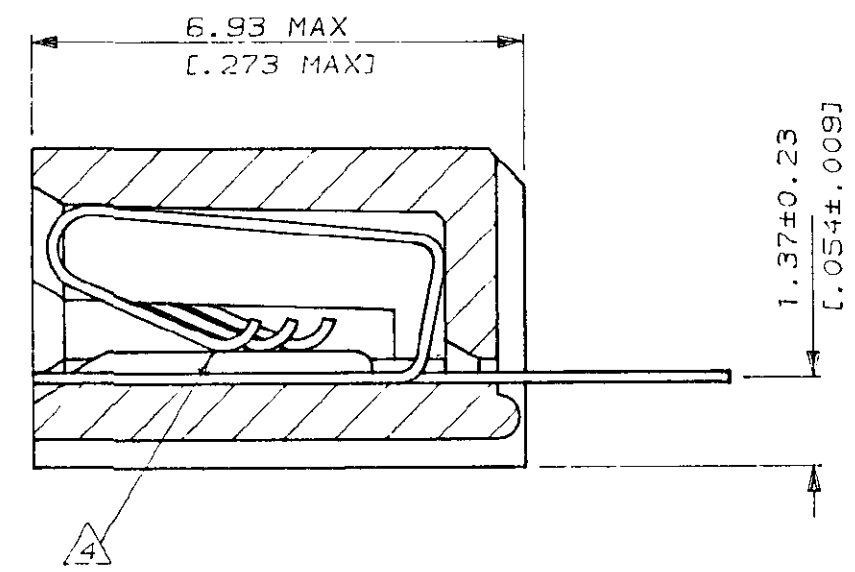
ALL DIMENSIONS IN MM UNLESS OTHERWISE SPECIFIED

PRINT LIST

REV. 10/93



CIRCUIT IDENTIFICATION



NOTES

- 1 CONNECTOR WILL ACCEPT FLEXIBLE PRINTED CIRCUIT OR FLAT FLEXIBLE CABLE ON 2.54 [0.100] CENTERS IN A THICKNESS RANGE OF 0.127 TO 0.381 [0.005 TO 0.015] IN CONTACT AREA
- 2 STAND-OFFS PREVENT SOLVENT ENTRAPMENT
- 3 LEAD-IN ON PINS FOR EASE OF INSERTION INTO BOARD
- 4 SEQUENTIAL CONTACTS REDUCE CABLE INSERTION FORCE
- 5 ACCEPTS CABLE OR CIRCUITRY WITH EXPOSED CONDUCTORS FACING TOWARD OR AWAY FROM THE BOARD SURFACE
- 6 REFER TO APPLICATION SPEC 114-2062
- 7 MATERIAL  
HOUSING : GLASS REINFORCED POLYESTER THERMOPLASTIC UL 94 V0 RATED, BLACK  
CONTACT : PHOS BRONZE

60.78 [2.393]	58.57 [2.306]	22	2-520415-2
58.24 [2.293]	56.03 [2.206]	21	2-520415-1
55.70 [2.193]	53.49 [2.106]	20	2-520415-0
53.16 [2.093]	50.95 [2.006]	19	1-520415-9
50.62 [1.993]	48.41 [1.906]	18	1-520415-8
48.08 [1.893]	45.87 [1.806]	17	1-520415-7
45.54 [1.793]	43.33 [1.706]	16	1-520415-6
43.00 [1.693]	40.79 [1.606]	15	1-520415-5
40.46 [1.593]	38.25 [1.506]	14	1-520415-4
37.92 [1.493]	35.71 [1.406]	13	1-520415-3
35.38 [1.393]	33.17 [1.306]	12	1-520415-2
32.84 [1.293]	30.63 [1.206]	11	1-520415-1
30.30 [1.193]	28.09 [1.106]	10	1-520415-0
27.76 [1.093]	25.55 [1.006]	9	520415-9
25.22 [.993]	23.01 [.906]	8	520415-8
22.68 [.893]	20.47 [.806]	7	520415-7
20.14 [.793]	17.93 [.706]	6	520415-6
17.60 [.693]	15.39 [.606]	5	520415-5
15.06 [.593]	12.85 [.506]	4	520415-4
12.52 [.493]	10.31 [.406]	3	520415-3
9.98 [.393]	7.77 [.306]	2	520415-2
<b>B</b>	<b>A</b>	<b>POS</b>	<b>PART NO</b>

Copyright ©1993		Copyright ©1993		<b>AMP</b> AMP MANUFACTURING (S) PRIVATE LIMITED	
		(NAME)		TRIO-MATE VERTICAL CABLE ENTRY FOR 2.54 [0.93] THK P.C. BOARD	
(MATERIAL)	(FINISH) CONTACTS	(GENERAL TOLERANCE)	SIZE	LOC	(No.)
△	BRIGHT TIN/LEAD PLATED	±0.38 [±.015]	A2	DY	520415
M REDRAH DY/EC/0890	LWY SL/ 8.30.93	DR. WYLEE	DE. A. SOH	(SCALE)	REV. M
LTR (REVISION RECORD)	DR	CHK	DATE	CHK.	SHEET 1 OF 1
				APP. PETER de JONG	

CUSTOMER DRAWING