

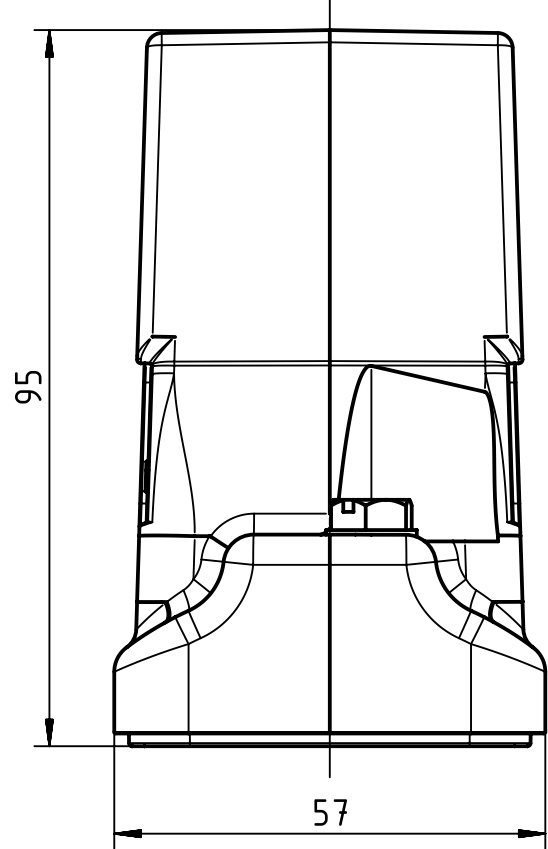
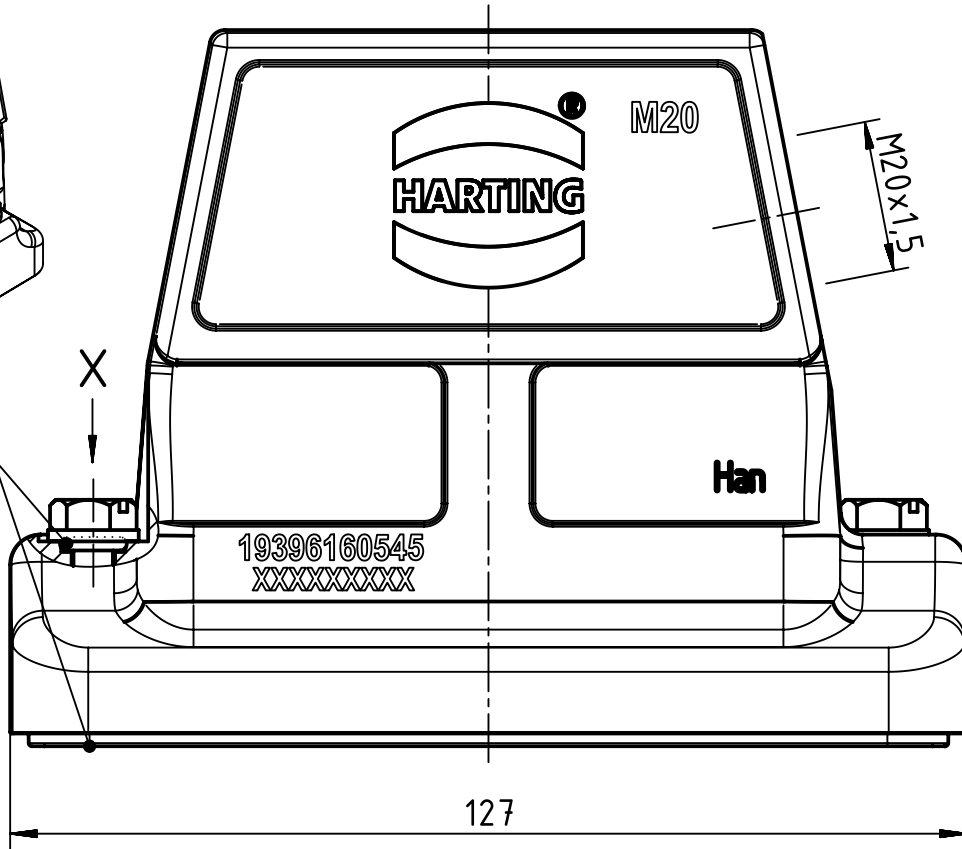
A

B

C

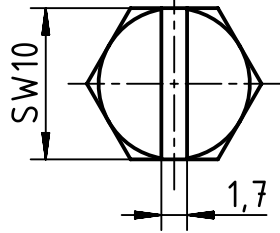
D

1 2 3 4 5 6

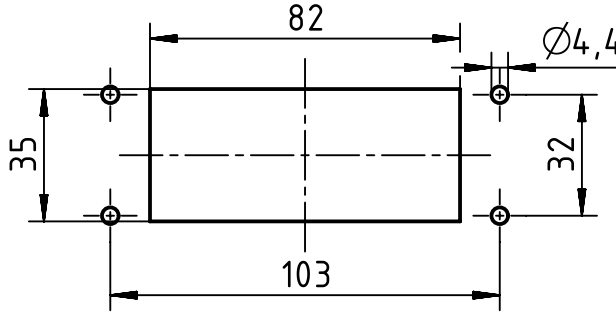


X (2:1)

Seal



Panel cut out (1:2)



All Dimensions in mm
Original Size DIN A4

Scale
1:1

Free size tol.

Ref.

Sub.



All rights reserved
Department EL PD - CN

Created by
LONGL

Inspected by
WENE

Standardisation
SCHMIDTM

Date
2017-03-20

State
Final Release

Title
Han 16HP Direct/B-HSE-M20

Doc-Key / ECM-Nr.
100663226/UGD/002/C
500000116961

HARTING (Zhuhai) Manufacturing Co., Ltd.
519085 Zhuhai, China

Type
TB

Number
19 39 616 0545

Rev.
C

Page
1/1