

PORT Expander™

Manual

All Mikroelektronika's development systems feature a large number of peripheral modules expanding microcontroller's range of application and making the process of program testing easier. In addition to these modules, it is also possible to use numerous additional modules linked to the development system through the I/O port connectors. Some of these additional modules can operate as stand-alone devices without being connected to the microcontroller.

Additional Board

 **MikroElektronika**

SOFTWARE AND HARDWARE SOLUTIONS FOR EMBEDDED WORLD ...making it simple

PORT Expander Additional Board

The *PORT Expander* additional board provides easy I/O port expansion using a standard serial interface such as SPI. Connection with a development system is established by connecting 2x5 male connectors on the additional board to the appropriate port on the development system. Depending on the development system in use, it is necessary to select one of three connectors supplied on the additional board. For dsPIC development systems, the CN1 (dsPIC) connector is connected to the PORTF port. For AVR-8051 development systems, the CN2 (AVR-8051) connector is connected to the PORTB port. PIC development systems use the PORTC port to establish connection with the CN3 (PIC) connector on the additional board. The *PORT Expander* board provides two additional ports PORTA and PORTB for the development system it is connected to.

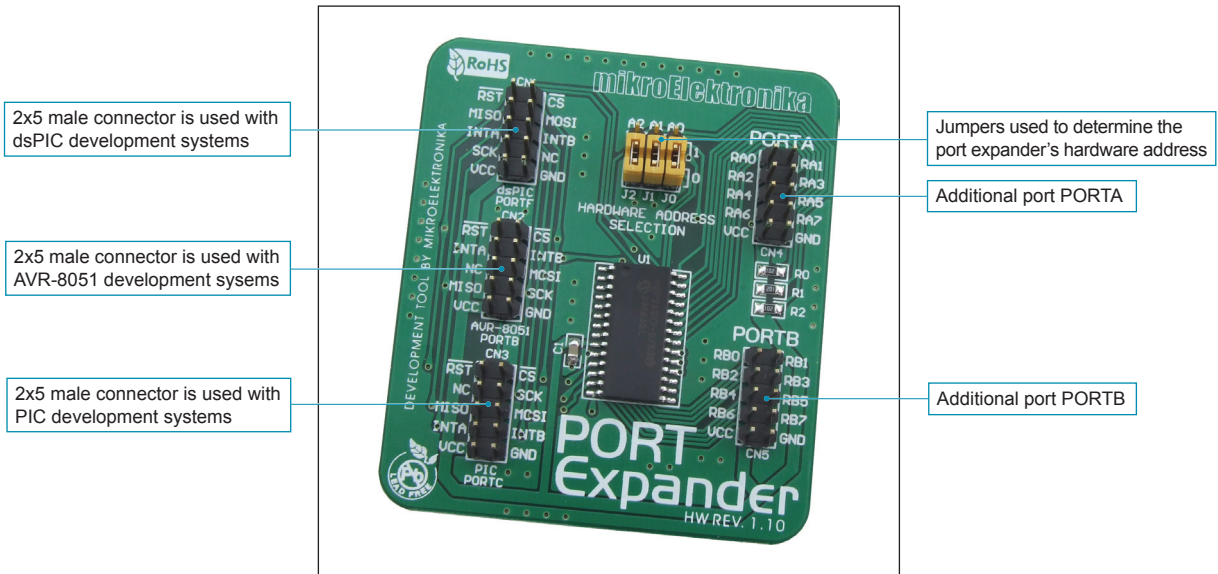


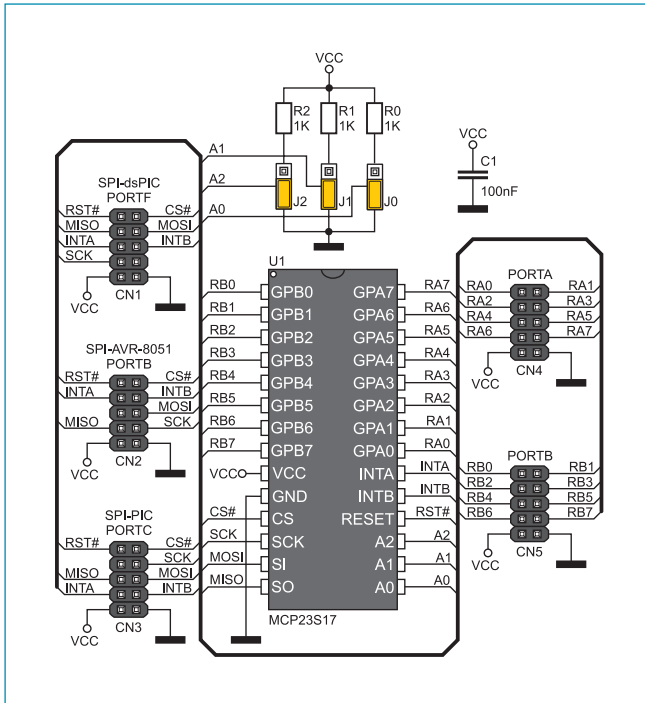
Figure 1: *PORT Expander* additional board

The *PORT Expander* additional board uses SPI serial interface to communicate with the microcontroller provided on the development system it is connected to. Additional ports receive/send data in parallel format, which means that it is necessary to convert it into serial format. The MCP23S17 circuit, supplied on the additional board, is used to convert data received from 16 additional pins and to transmit it to the microcontroller via two pins. The advantage of such conversion is obvious. Instead of 16 lines, the additional board is connected to the microcontroller via only four lines known as data receive/transmit lines and two control lines.

The function of pins provided on connectors CN1, CN2 and CN3 is as follows:

- MOSI - Master Output, Slave Input (microcontroller output, MCP23S17 input)
- MISO - Master Input, Slave Output (microcontroller output, MCP23S17 output)
- SCK - Serial Clock (microcontroller clock signal)
- CS - Chip Select (data transfer enable)
- INTA - Interrupt pin
- INTB - Interrupt pin

Data transfer via MOSI and MISO lines is performed simultaneously in both directions. The MOSI line is used to transfer data from the microcontroller to the port expander, whereas the MISO line is used to transfer data from the port expander to the microcontroller. The microcontroller starts data transfer when the CS pin is driven low (0) by sending a clock signal (SCK).



Jumpers J2, J1 and J0 are used to determine the port expander's hardware address. When they are placed in position marked 1, the address is 1 and the opposite when they are placed in position marked 0, the address is 0. Jumpers J2, J1 and J0 are placed in position marked 0 (logic 0) by default.

Figure 2: PORT Expander additional board

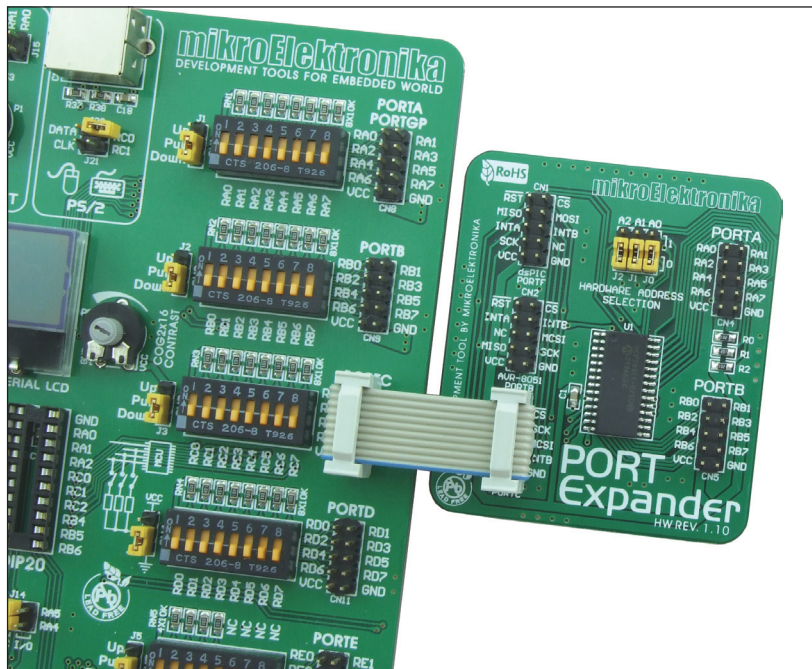


Figure 3: PORT Expander additional board connected to a development system



MikroElektronika
SOFTWARE AND HARDWARE SOLUTIONS FOR EMBEDDED WORLD ...making it simple

If you want to learn more about our products, please visit our website at www.mikroe.com

If you are experiencing some problems with any of our products or just need additional information, please place your ticket at www.mikroe.com/en/support

If you have any questions, comments or business proposals, do not hesitate to contact us at office@mikroe.com