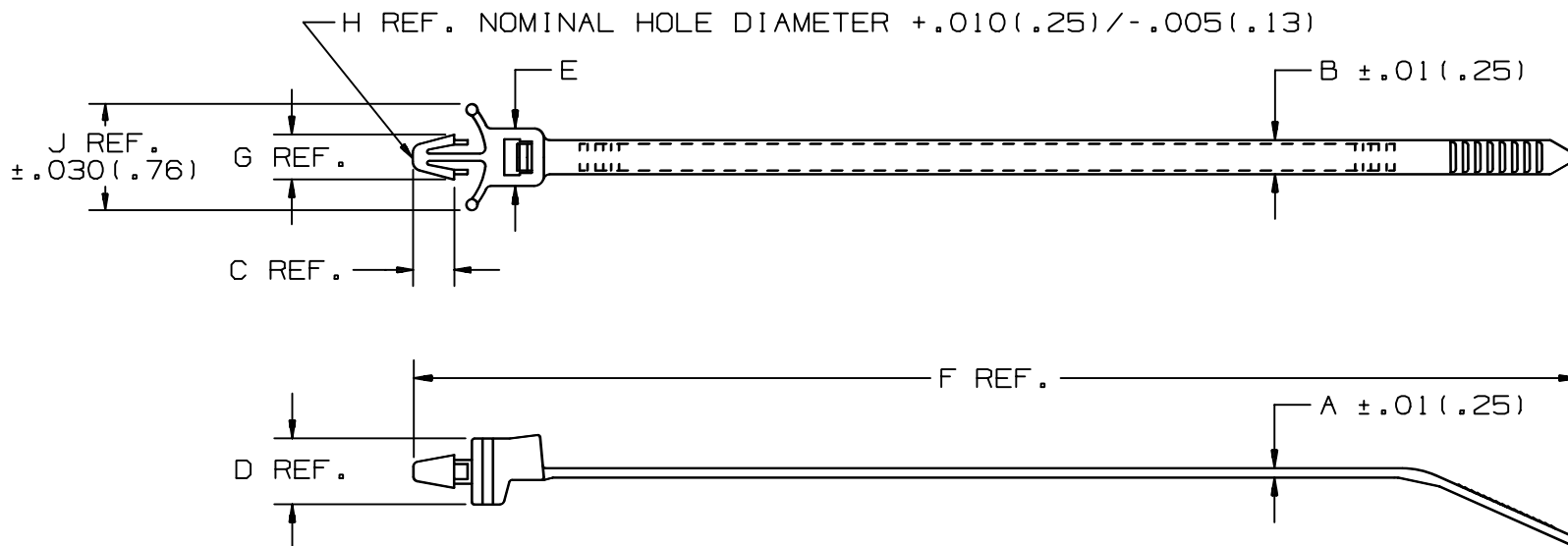


THIS COPY IS PROVIDED ON A RESTRICTED BASIS AND IS NOT TO BE USED IN ANY WAY DETRIMENTAL TO THE INTERESTS OF PANDUIT CORP.



PANDUIT PART NO.	BUNDLE DIA.		A	B	C	D	E	F	G	H	J	MAX. PANEL THICKNESS in (mm)	MIN. LOOP TENSILE lbs (N)	CROSS SECTION	WEIGHT 100 pcs lbs (g)
	MIN. in (mm)	MAX. in (mm)													
PLWP1SB	.06 (1.5)	1.0 (25.4)	.052 (1.3)	.190 (4.8)	.230 (5.8)	.370 (9.4)	.320 (8.1)	5.2 (132)	.260 (6.6)	.187 (4.7)	.593 (15.1)	.157 (4.0)	50 (222)	STANDARD	.29 (132)
PLWP2SB	.06 (1.5)	1.75 (44.5)	.052 (1.3)	.190 (4.8)	.230 (5.8)	.370 (9.4)	.320 (8.1)	7.8 (198)	.260 (6.6)	.187 (4.7)	.593 (15.1)	.157 (4.0)	50 (222)	STANDARD	.37 (168)

NOTE: SEE CURRENT PRICE SHEET FOR PART NUMBER SUFFIX DESIGNATION FOR PACKAGE SIZE, MATERIAL AND PART COLOR.

DIMENSIONS IN PARENTHESES ARE IN METRIC UNITS

PANDUIT CORP. TINLEY PARK, ILLINOIS

LOCKING WING PUSH MOUNT TIE  
PLWP1SB & 2SB

UNLESS OTHERWISE SPECIFIED,  
DIMENSIONAL TOLERANCES ARE:  
(.X) ± .1(2.5) (.XXX) ± .020(.51)  
(.XX) ± .02(1.5) ANGLES ± -----

UNLESS OTHERWISE SPECIFIED,  
ALL DIMENSIONS ARE GIVEN  
IN INCHES, THIRD ANGLE PROJECTION.

DRAWN BY  
KJL

MAT'L:

SCALE NONE

6	1/19/04	JABO		CHANGED FORMAT FOR CONSISTENCY SEE ECN FOR DETAILS	23526	6									
REV	DATE	BY	CHK	DESCRIPTION	ECN	R	CUST	SUP							

DATE  
11/23/88

CHK'D  
HVP

SEE NOTE

DRAWING NO.  
SS-23526

DWG  
A  
SIZE