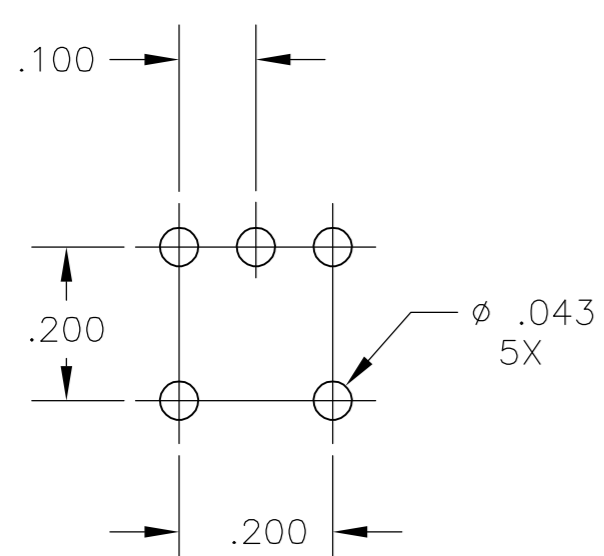
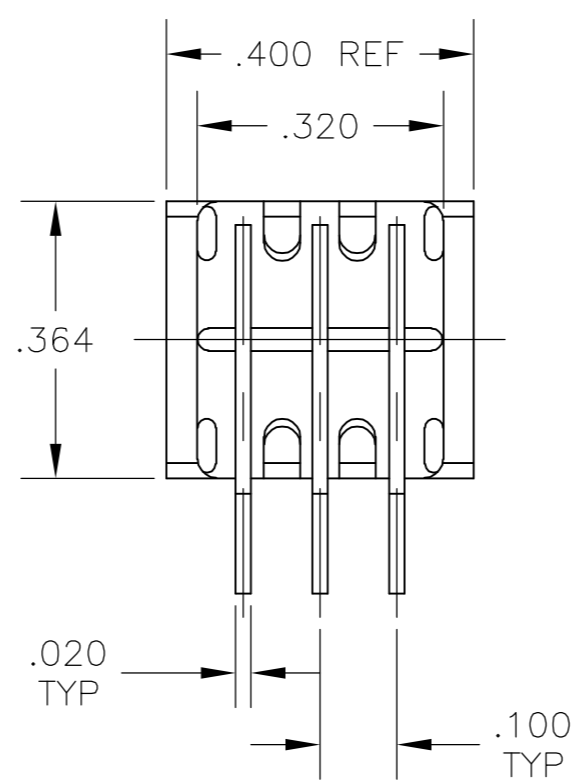
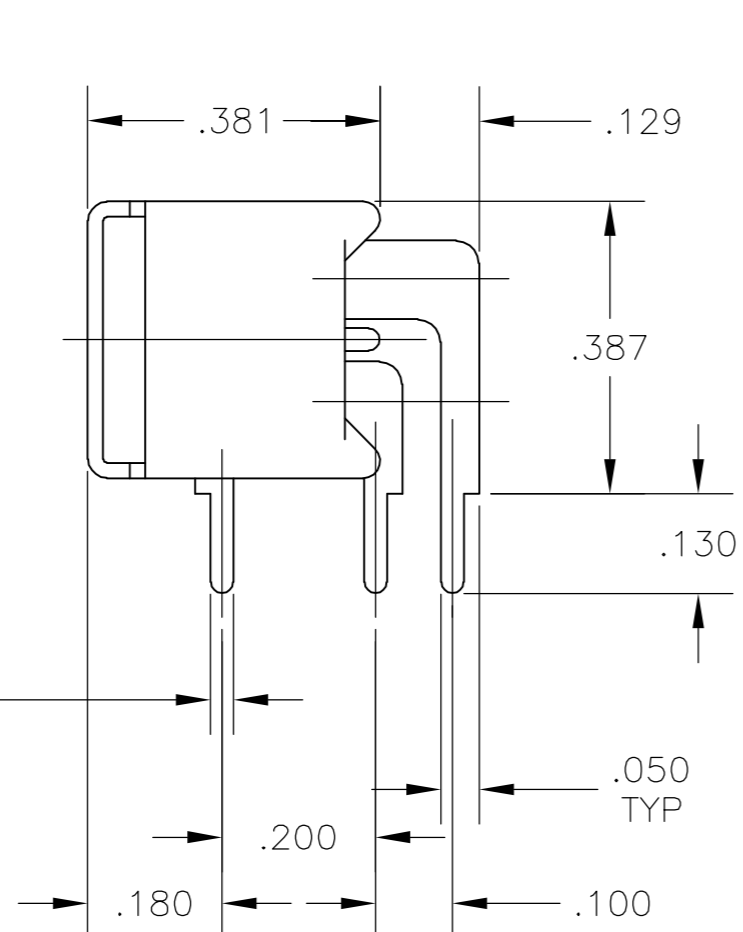
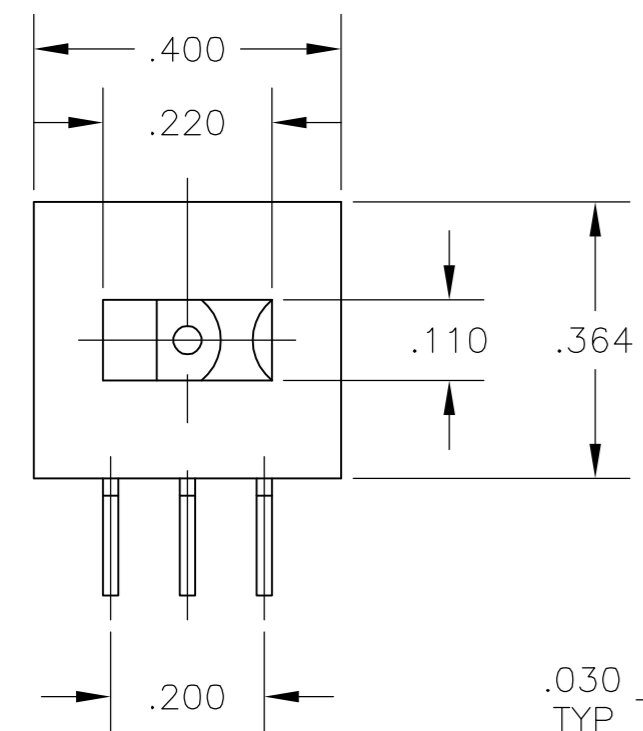
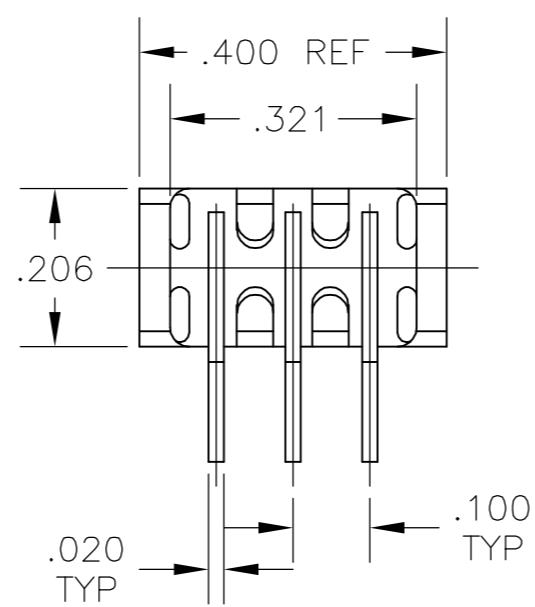
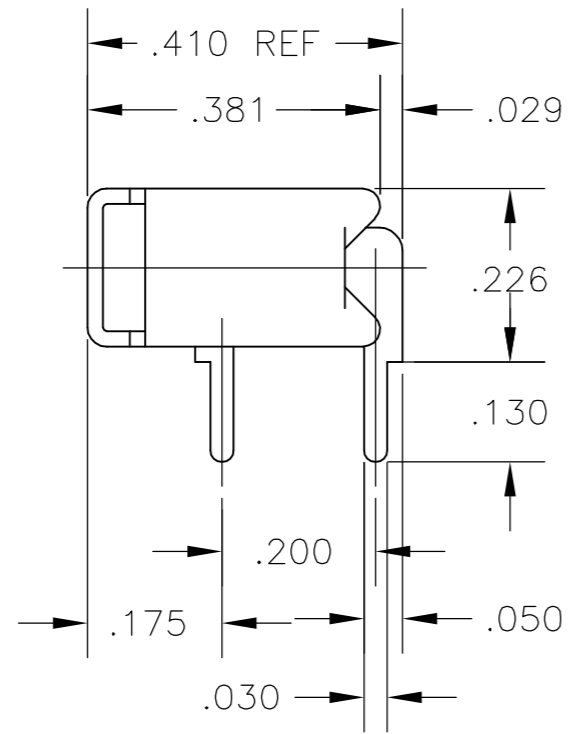
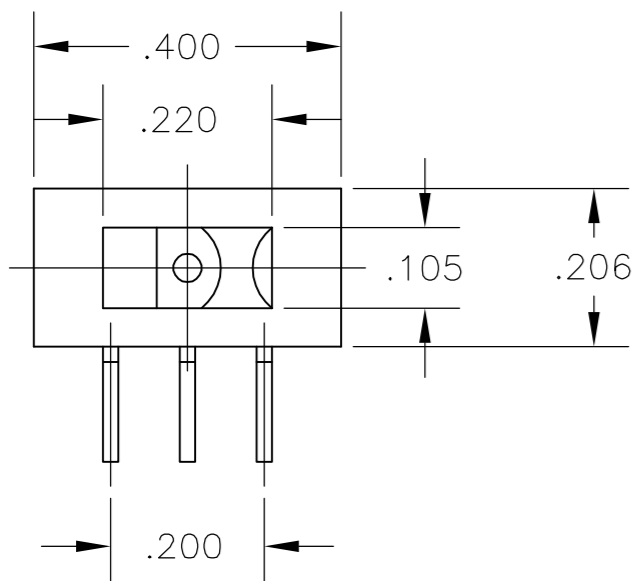
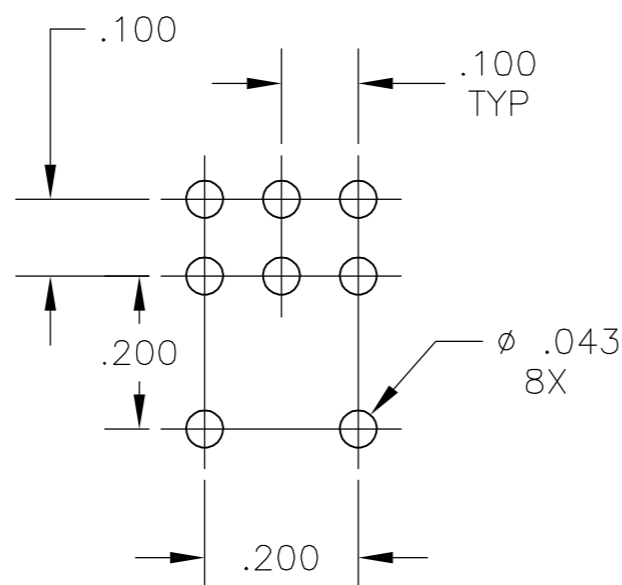


THIS DRAWING IS UNPUBLISHED. RELEASED FOR PUBLICATION
 © COPYRIGHT BY TYCO ELECTRONICS CORPORATION. ALL RIGHTS RESERVED.

LOC		DIST		REVISIONS			
AD	00	P	LTR	DESCRIPTION	DATE	DWN	APVD
		C		E0G3C-0588-03	14MAR07	BSV	MS



PC CUTOUT FOR SP



PC CUTOUT FOR DP

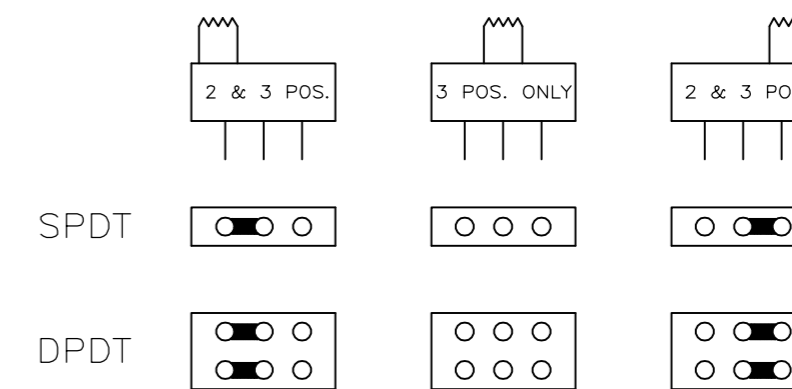
SPECIFICATIONS:

MATERIALS:
 CASE: HIGH TEMPERATURE POLYESTER.
 ACTUATOR: POLYESTER.
 MOVABLE CONTACT: GOLD OVER NICKEL OVER COPPER ALLOY.
 STATIONARY CONTACT: GOLD OVER NICKEL OVER COPPER ALLOY.
 TERMINALS: GOLD OVER NICKEL OVER COPPER ALLOY
 FRAME: BRIGHT TIN PLATE OVER C.R.S.

ELECTRICAL:
 CONTACT RATING: 0.4 VA MAX. @20 VDC OR PEAK AC.
 CONTACT RESISTANCE: 40 MILLIOHMS MAX.
 INSULATION RESISTANCE: 1000 MEGOHMS MIN. @ 500V DC
 DIELECTRIC STRENGTH: 1000 VOLTS RMS @ SEA LEVEL.
 LIFE EXPECTANCY: 60,000 - 80,000 CYCLES

ENVIRONMENTAL:
 OPERATING TEMPERATURE: -4°F TO +176°F (-20°C TO +80°C)
 STORAGE TEMPERATURE: -4°F TO +176°F (-20°C TO +80°C)

SOLDERABILITY PER EIA 364-52 CLASS 2 CATEGORY 1



TYCO PT. NO.	MODEL NO.	TYPE	ACTION
1437579-9	TSS11DG-1-RA	SPDT	ON-NONE-ON
1-1437579-3	TSS11EG-1-RA	SPDT	ON-OFF-ON
1-1437579-8	TSS21NG-1-RA	DPDT	ON-NONE-ON
2-1437579-2	TSS21PG-1-RA	DPDT	ON-OFF-ON

THIS DRAWING IS A CONTROLLED DOCUMENT.		DWN B. BUCKHEK 29AUG1978	Tyco Electronics Corporation Harrisburg, Pa 17105-3608	
DIMENSIONS: INCHES		CHK 30AUG1978	NAME	
TOLERANCES UNLESS OTHERWISE SPECIFIED:		APVD	PRODUCT SPEC	
0 PLC ± -		APVD	APPLICATION SPEC	
1 PLC ± -		WEIGHT	SIZE	
2 PLC ± -		SCALE	CAGE CODE	
3 PLC ± .010		CUSTOMER DRAWING	DRAWING NO	
4 PLC ± -		SCALE 4:1	RESTRICTED TO	
ANGLES ± 1		SHEET 1 OF 1	REV C	
FINISH		A2 00779 C=1437579-9		