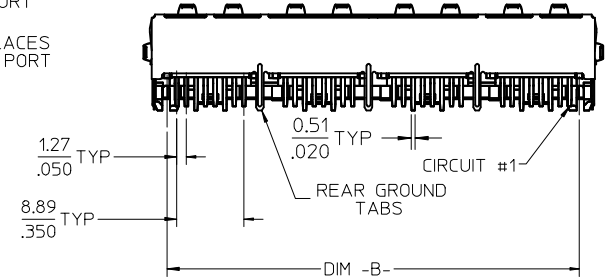
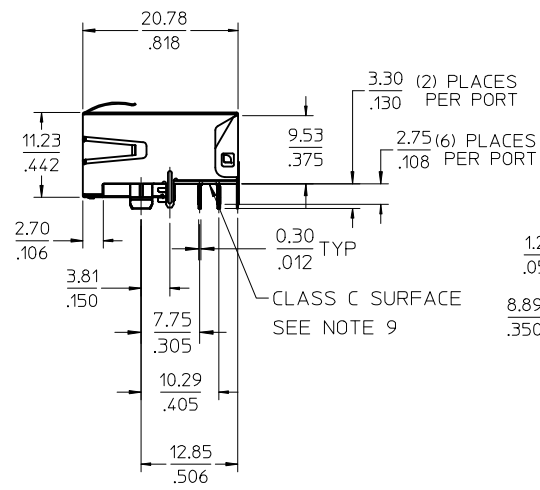
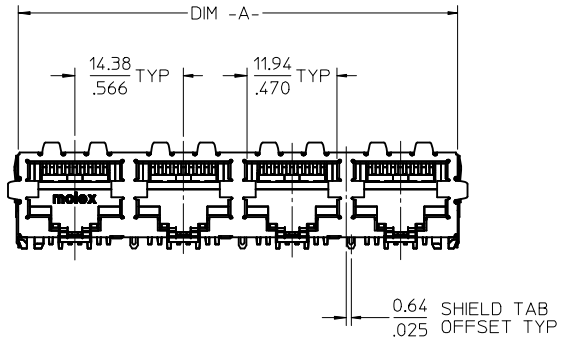
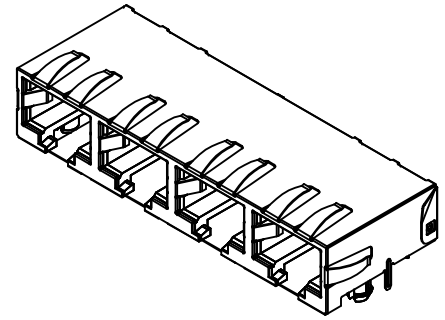


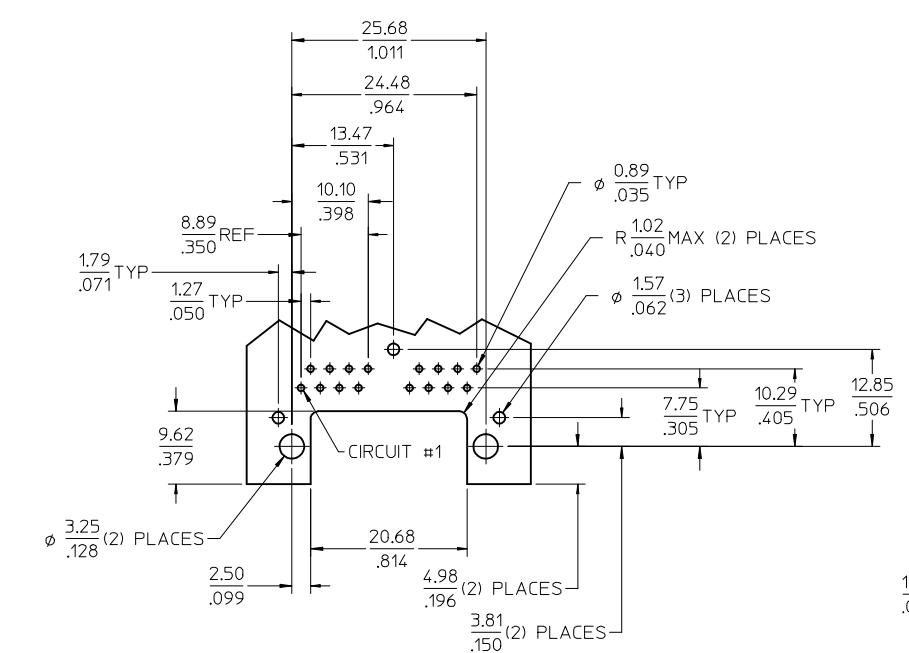
PEG DETAIL
SCALE 4:1



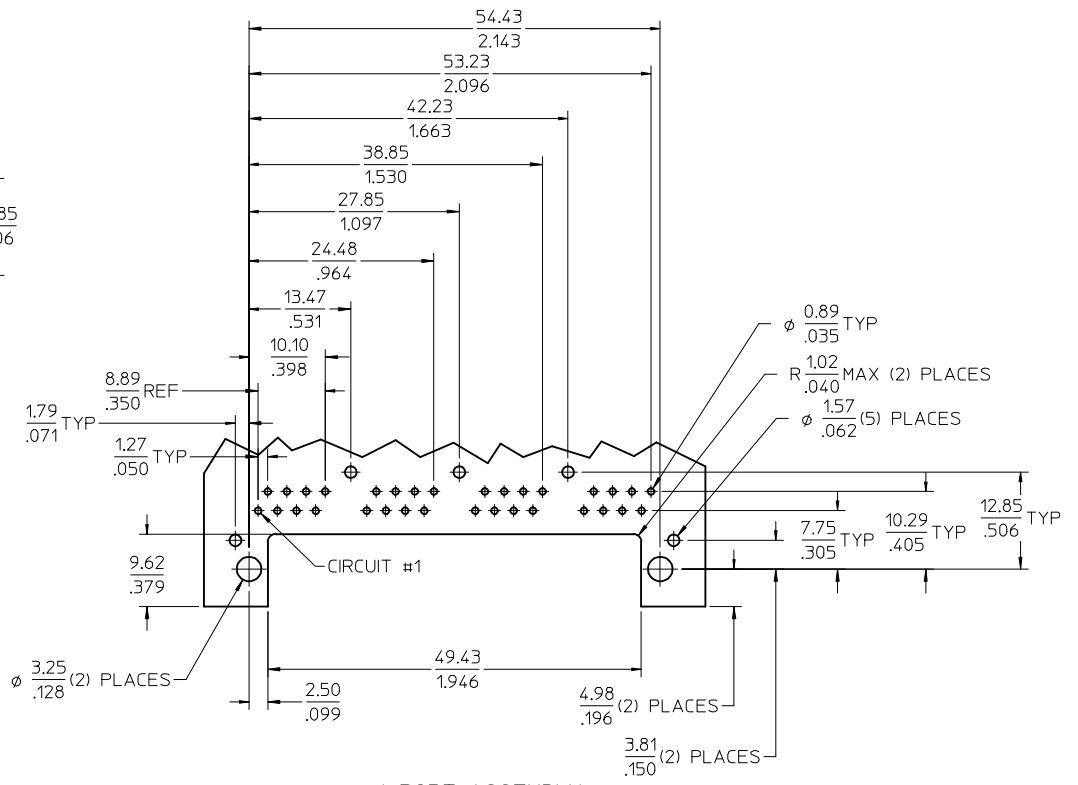
- NOTES:
- MATERIAL:
HOUSING: NYLON(PA), GLASS FILLED, UL94V-0, COLOR: BLACK
TERMINALS: PHOSPHOR BRONZE
SHIELD: BRASS, 0.18/0.07 THICK
 - FINISH:
TERMINALS:
SELECT GOLD IN CONTACT AREA: 1.27 MICROMETERS / 50 MICROINCHES MIN.,
SELECT MATTE TIN IN PC TAIL AREA: 2.54 MICROMETERS / 100 MICROINCHES MIN.,
WITH OVERALL NICKEL UNDERPLATE: 1.27 MICROMETERS / 50 MICROINCHES MIN.
SHIELD:
2.54 MICROMETERS / 100 MICROINCHES NICKEL OVER 1.27 MICROMETERS /
50 MICROINCHES COPPER UNDERPLATE, PCB GROUND TABS DIPPED IN TIN.
 - PRODUCT SPECIFICATION AND PROCESSING PARAMETERS: PS-44560-003.
 - PACKAGING SPECIFICATION:
2 PORT: CONNECTOR PACKAGED IN TRAYS PER MOLEX PACKAGING SPECIFICATION
PK-44560-004
4 PORT: CONNECTOR PACKAGED IN TRAYS PER MOLEX PACKAGING SPECIFICATION
PK-44560-005
 - CONFORMS TO FCC REGULATION PART 68.5 FOR MODULAR JACKS.
 - SEE SHEET (2) OF (2) FOR RECOMMENDED PANEL OPENING AND PCB LAYOUT.
 - TERMINAL LENGTHS MAY BE DIFFERENT FROM TERMINAL TO TERMINAL.
 - THE PRIMARY SHIPPING CARTON WILL BE LABELED "COMPLIANT TO RoHS
DIRECTIVE 2002/95/EC AND ELV ANNEX II OF DIRECTIVE 2000/53/EC".
ASSEMBLIES WILL BE COMPLIANT TO THE RoHS AND ELV (LEAD-FREE) DIRECTIVES.
 - THIS PART CONFORMS TO CLASS B REQUIREMENTS OF COSMETIC
SPECIFICATION PS-45499-002 WITH THE EXCEPTION OF THE
SURFACE INDICATED WHICH IS A CLASS C SURFACE.

ASSEMBLY MATERIAL NUMBER	NUMBER OF REAR GROUND TABS	NUMBER OF PORTS	DIM -A-	DIM -B-
445605012	1	2	29.44/1.159	25.68/1.011

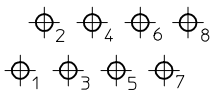
REMOVE -5014 EC NO: UCP2009-2791 DRWN:JBELL 2009/07/06 CHKD:MKIPPER 2009/07/22 APPR:FSMITH 2009/07/23 B1	QUALITY SYMBOLS ▽=0 ▽=0	GENERAL TOLERANCES (UNLESS SPECIFIED) <table border="1"> <thead> <tr> <th></th> <th>mm</th> <th>INCH</th> </tr> </thead> <tbody> <tr> <td>4 PLACES ±</td> <td>---</td> <td>±---</td> </tr> <tr> <td>3 PLACES ±</td> <td>---</td> <td>±.012</td> </tr> <tr> <td>2 PLACES ±</td> <td>0.30</td> <td>±---</td> </tr> <tr> <td>1 PLACE ±</td> <td>---</td> <td>±---</td> </tr> </tbody> </table>		mm	INCH	4 PLACES ±	---	±---	3 PLACES ±	---	±.012	2 PLACES ±	0.30	±---	1 PLACE ±	---	±---	DIMENSION STYLE MM/IN	SCALE 2:1	DESIGN UNITS INCH	THIRD ANGLE PROJECTION
		mm	INCH																		
	4 PLACES ±	---	±---																		
	3 PLACES ±	---	±.012																		
2 PLACES ±	0.30	±---																			
1 PLACE ±	---	±---																			
DRAFT WHERE APPLICABLE MUST REMAIN WITHIN DIMENSIONS		MATERIAL NO. SEE CHART	DRAWN BY LSCHMIDT	DATE 2005/02/02	COMPACT GANGED CATEGORY 5E MODJACK (LEAD-FREE)																
		APPROVED BY FSMITH	DATE 2005/02/02	MOLEX MOLEX INCORPORATED		SHEET NO. 1 OF 2															
		THIS DRAWING CONTAINS INFORMATION THAT IS PROPRIETARY TO MOLEX INCORPORATED AND SHOULD NOT BE USED WITHOUT WRITTEN PERMISSION																			



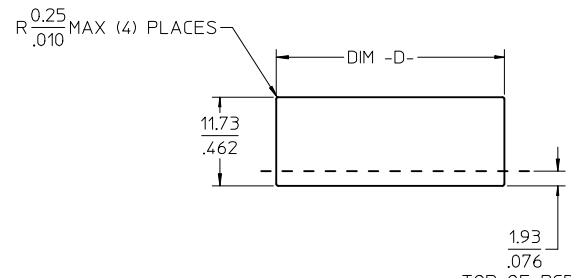
2 PORT ASSEMBLY
PCB LAYOUT: COMPONENT SIDE
RECOMMENDED PCB THICKNESS: 1.57/.062
TOLERANCE ±0.076/.003



4 PORT ASSEMBLY
PCB LAYOUT: COMPONENT SIDE
RECOMMENDED PCB THICKNESS: 1.57/.062
TOLERANCE ±0.076/.003



TYPICAL PC TERMINAL HOLE LAYOUT
SCALE 5:1



NUMBER OF PORTS	DIM -D-
2	30.20/1.189
4	58.95/2.321

RECOMMENDED
PANEL OPENING

EC NO: UCP2009-2791 DRAWN: JBELL 2009/07/06 CHKD: JMK/PPR 2009/07/22 APPR: FSM/TH 2009/07/23	QUALITY SYMBOLS ▽=0 ▽=0	GENERAL TOLERANCES (UNLESS SPECIFIED) <table border="1"> <thead> <tr> <th></th> <th>mm</th> <th>INCH</th> </tr> </thead> <tbody> <tr> <td>4 PLACES ±</td> <td>---</td> <td>---</td> </tr> <tr> <td>3 PLACES ±</td> <td>---</td> <td>±.012</td> </tr> <tr> <td>2 PLACES ±</td> <td>0.30</td> <td>---</td> </tr> <tr> <td>1 PLACE ±</td> <td>---</td> <td>---</td> </tr> </tbody> </table>		mm	INCH	4 PLACES ±	---	---	3 PLACES ±	---	±.012	2 PLACES ±	0.30	---	1 PLACE ±	---	---	DIMENSION STYLE MM/IN	SCALE 2:1	DESIGN UNITS INCH	THIRD ANGLE PROJECTION
		mm	INCH																		
4 PLACES ±	---	---																			
3 PLACES ±	---	±.012																			
2 PLACES ±	0.30	---																			
1 PLACE ±	---	---																			
REV: B1	DRAFT WHERE APPLICABLE MUST REMAIN WITHIN DIMENSIONS	MATERIAL NO. N/A	DRAWN BY LSCHEMIDT	DATE 2005/02/02	CHECKED BY LSCHEMIDT	DATE 2005/02/02	APPROVED BY FSMITH	DATE 2005/02/02	TITLE COMPACT GANGED CATEGORY 5E MODJACK (LEAD-FREE)	MOLEX INCORPORATED	DOCUMENT NO. SD-44560-002	SHEET NO. 2 OF 2									

THIS DRAWING CONTAINS INFORMATION THAT IS PROPRIETARY TO MOLEX INCORPORATED AND SHOULD NOT BE USED WITHOUT WRITTEN PERMISSION