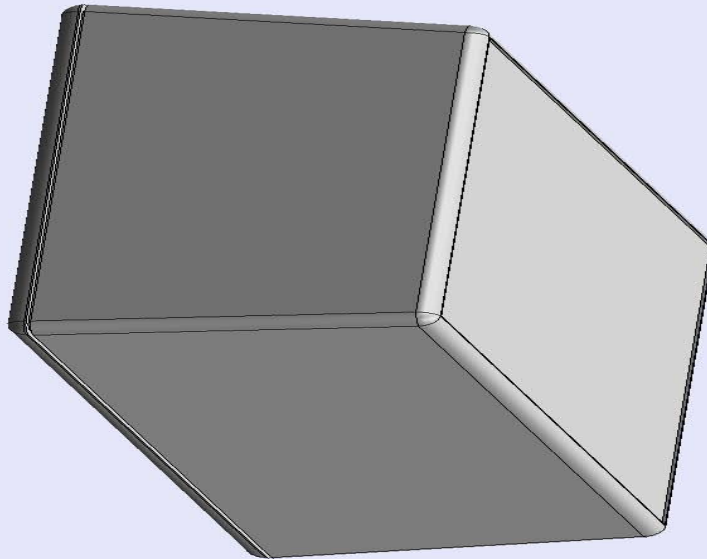
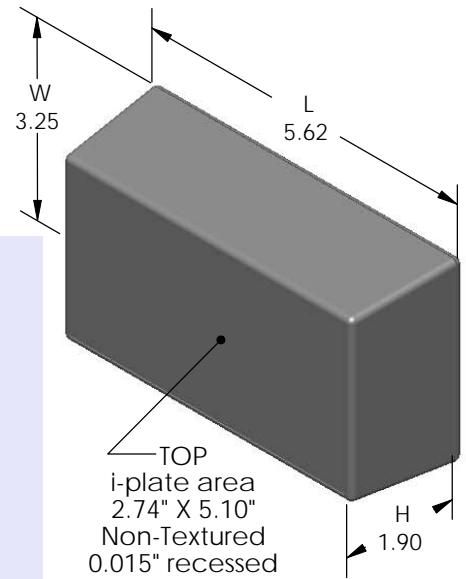


SERPAC 053i (exploded isometric)

Electronic Enclosures

- Click on image to show toolbar. Use ▶ || to Play/Pause Animation.
- Left click and drag on image to move 3D model.



- a) Zoom in & out with center wheel.
- b) Pause at any moment to view and or print views.
- c) Change the views to ortho and section views if needed from the Views pull down menu.
- d) Explore options included in the tool bar like: Views, Transparency of model, Lighting type, etc.

PART NO.	DESCRIPTION (Included)	ACCESSORIES (Optional)	
5-3-i	TOP	PART NO.	DESCRIPTION
05	BOTTOM	51	Non-skid Feet
6005	#4X3/8" Self tapping (4)	350	Prototype grid board (bottom)
		450	Prototype clad board (bottom)

Notes: Enclosure weight .26 lbs / 116 gm

- 1) Enclosure meets or exceeds IP40 and NEMA 1
- 2) Circuit Board drawings can be download at:

TOP:
http://www.serpac.com/Accessories/CircuitBoard/drawings/X53_CB.pdf

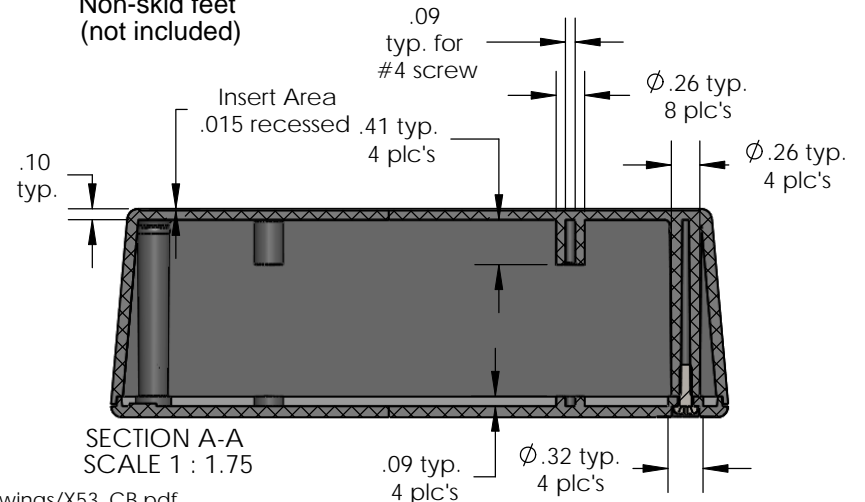
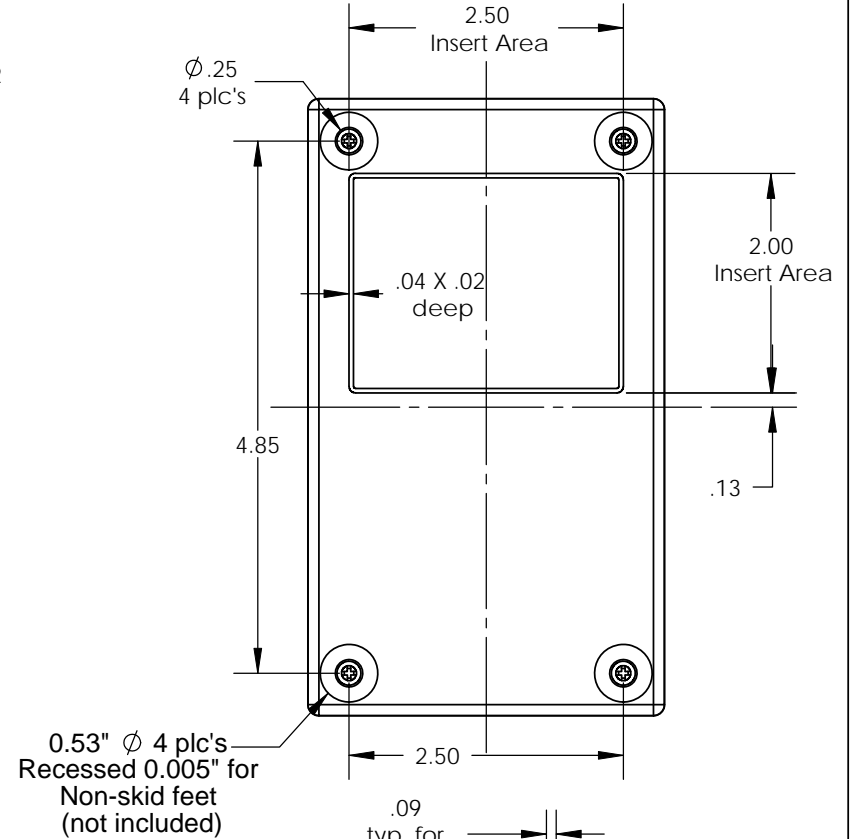
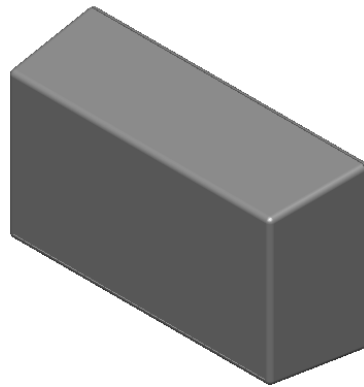
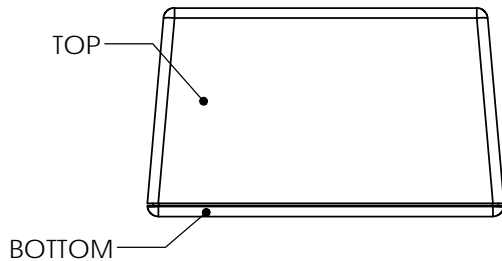
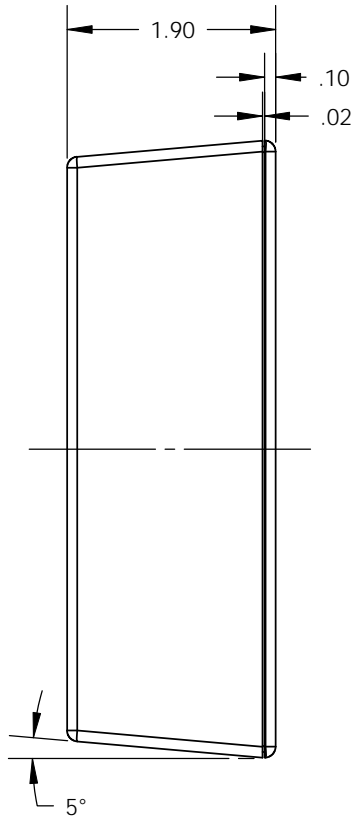
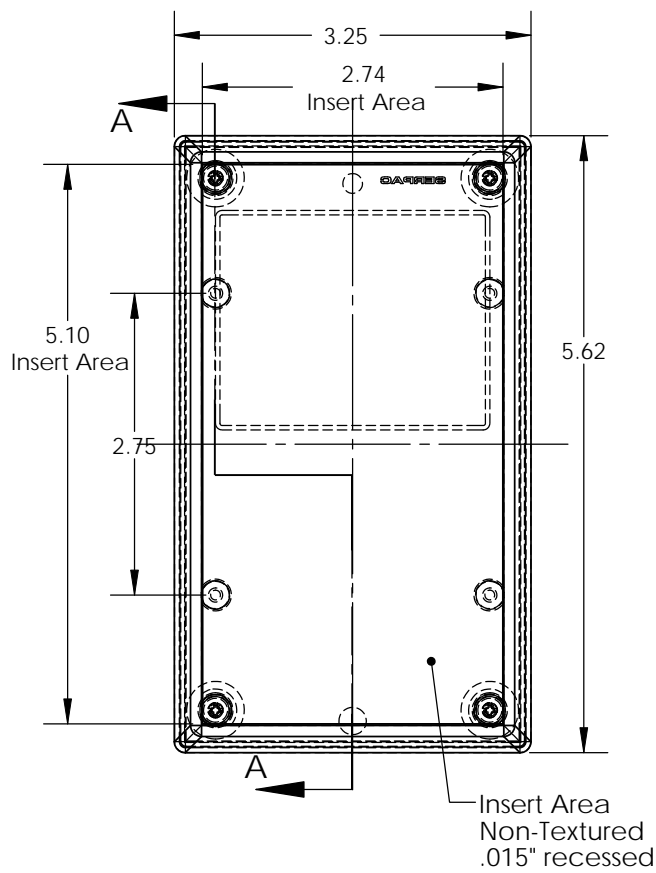
BOTTOM:
<http://www.serpac.com/Accessories/CircuitBoard/drawings/350-450-cbg.pdf>

- 3) All components are RoHS Compliant.

ALL DIMENSIONS ARE ± .010" 4/05/10 (1 of 2)
619 Commercial Ave. Covina, CA 91723
 Ph. (626) 331-0517 Fx. (626) 331-8584 [serpac.com](http://www.serpac.com)

SERPAC 053i (user print)

Electronic Enclosures



PART NO.	DESCRIPTION (Included)	ACCESSORIES (Optional)	
5-3-i	TOP	PART NO.	DESCRIPTION
05	BOTTOM	51	Non-skid Feet
6005	#4X3/8" self tapping (4)	350	Prototype grid board (bottom)
		450	Prototype clad board (bottom)

Notes: Enclosure weight .26 lbs / 116 gm

- 1) Enclosure meets or exceeds IP40 and NEMA 1
- 2) Circuit Board drawings can be download at:

TOP:
http://www.serpac.com/Accessories/CircuitBoard/drawings/X53_CB.pdf

BOTTOM:
<http://www.serpac.com/Accessories/CircuitBoard/drawings/350-450-cbg.pdf>

- 3) All components are RoHS Compliant.

ALL DIMENSIONS ARE $\pm .010"$ 4/05/10 (2 of 2)
619 Commercial Ave. Covina, CA 91723
Ph. (626) 331-0517 Fx. (626) 331-8584 www.serpac.com