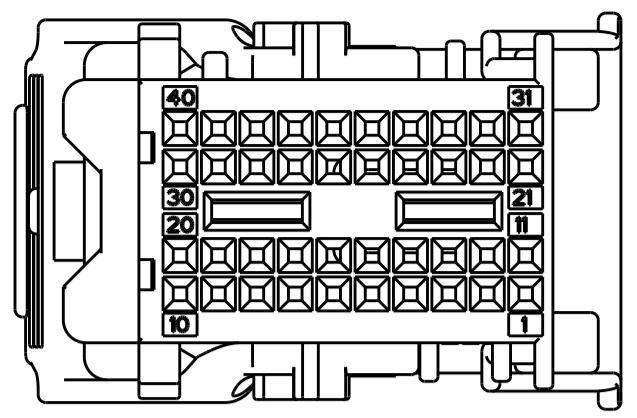
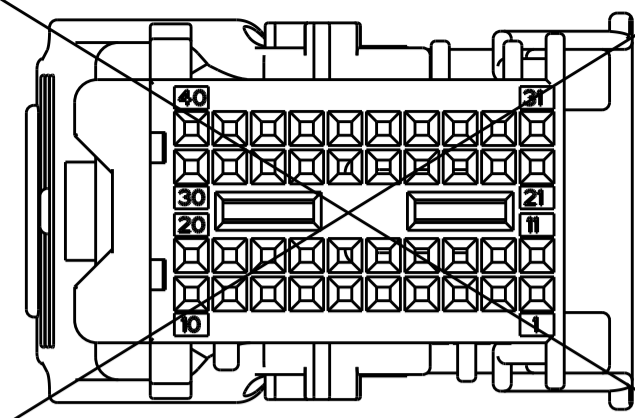


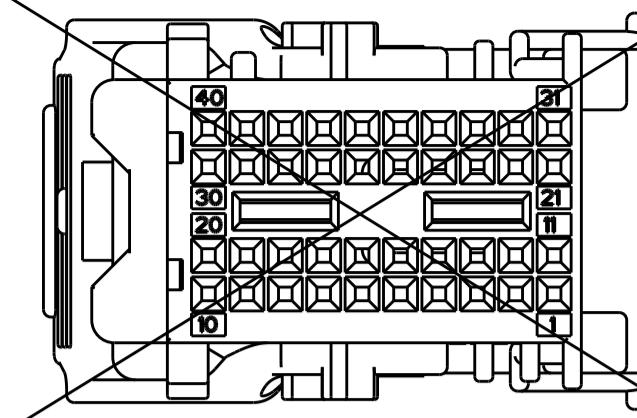
KEYING OPTION, SCALE: 2:1



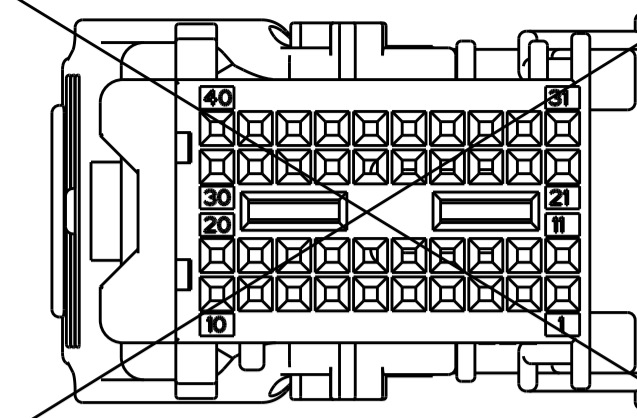
ASSY P/N: 2098633-1
KEYING: A



ASSY P/N: 2098633-2
KEYING: B

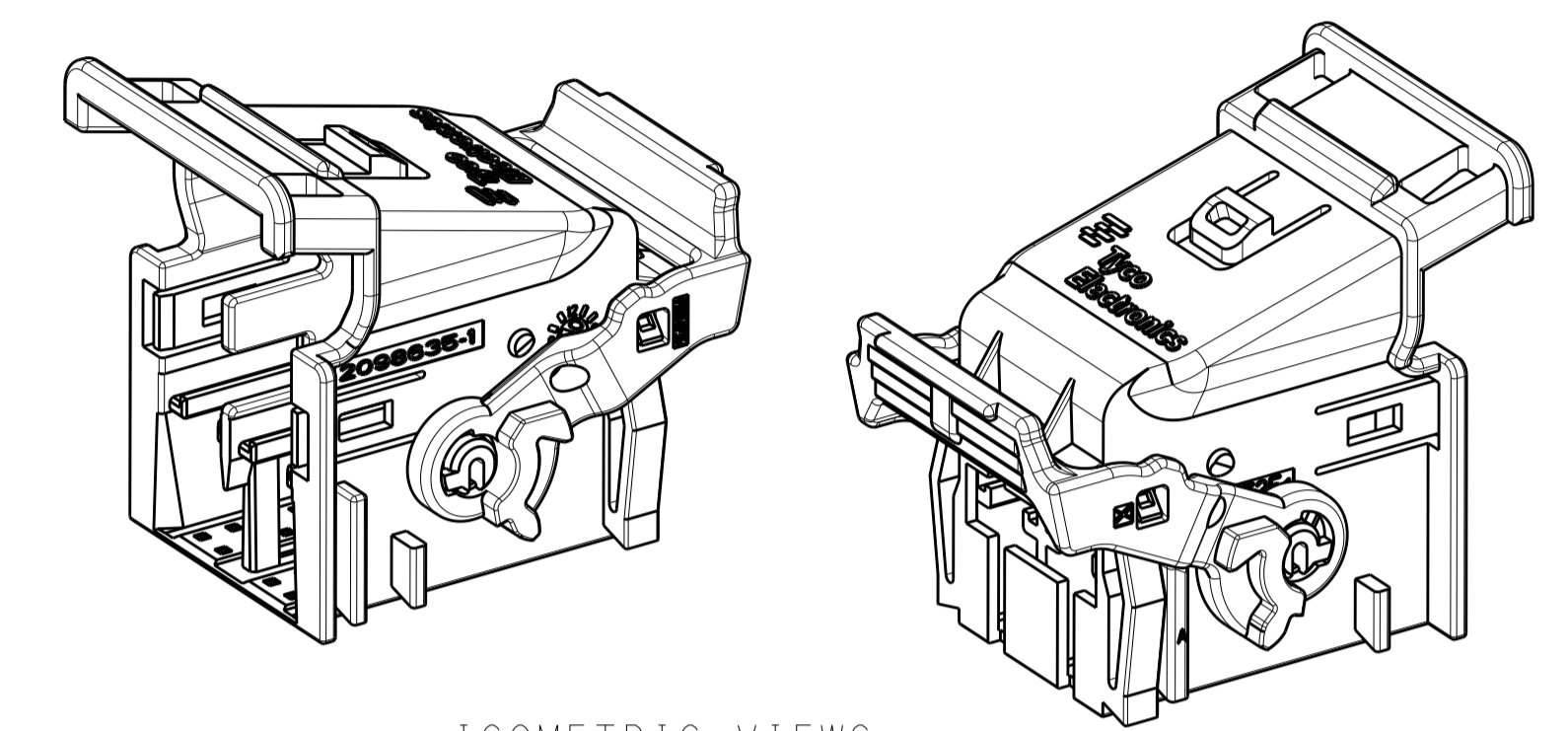
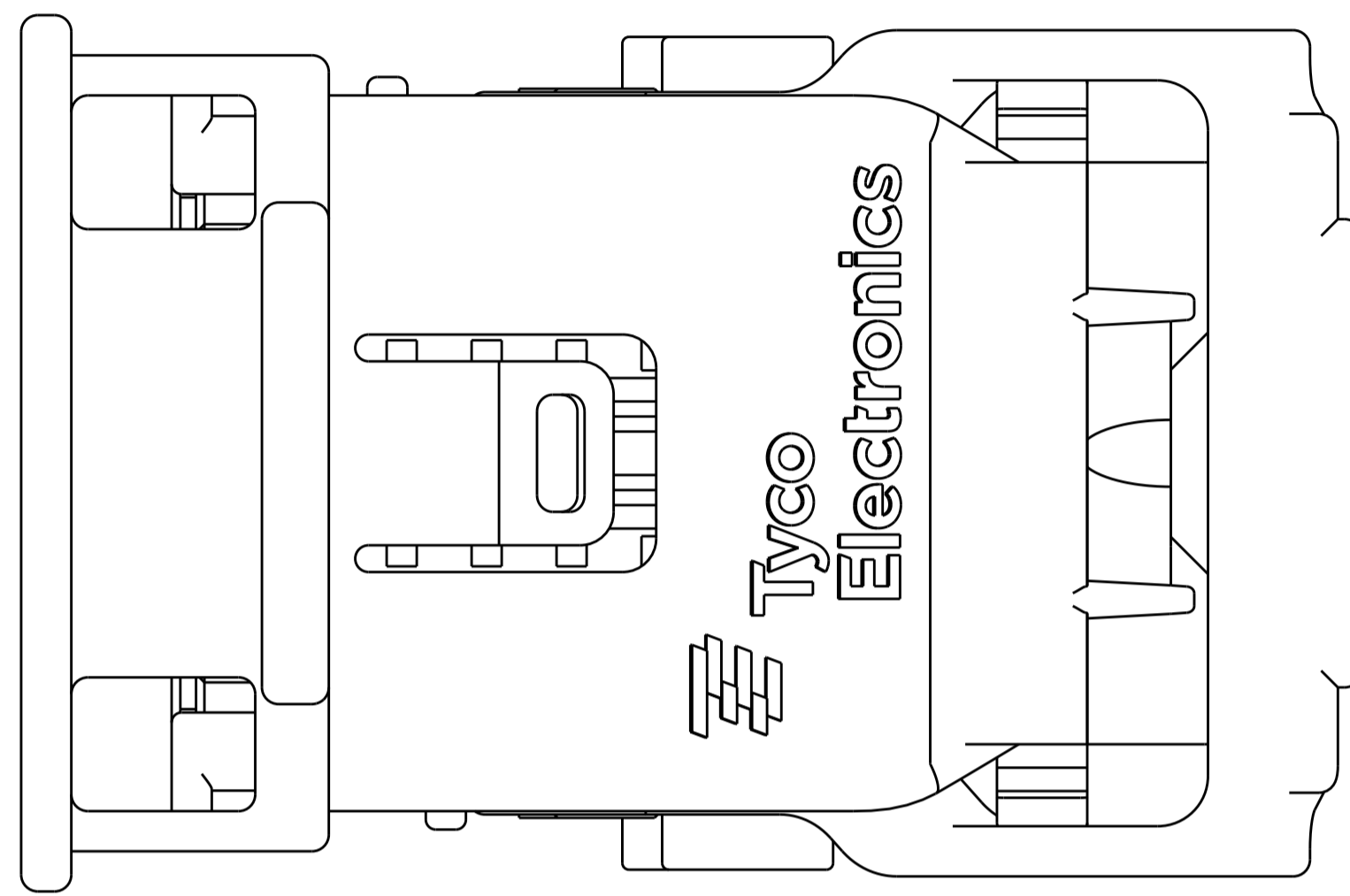


ASSY P/N: 2098633-3
KEYING: C

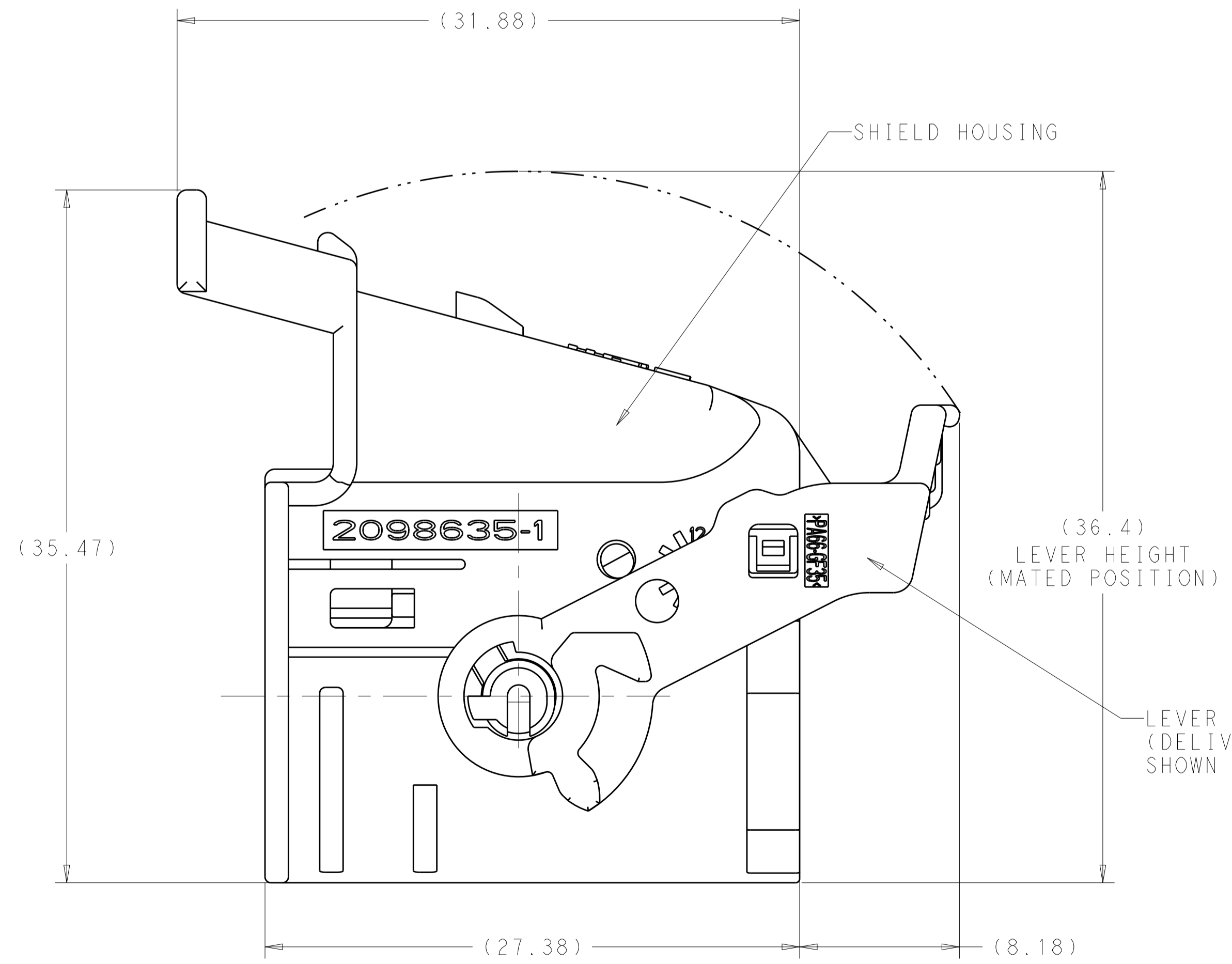
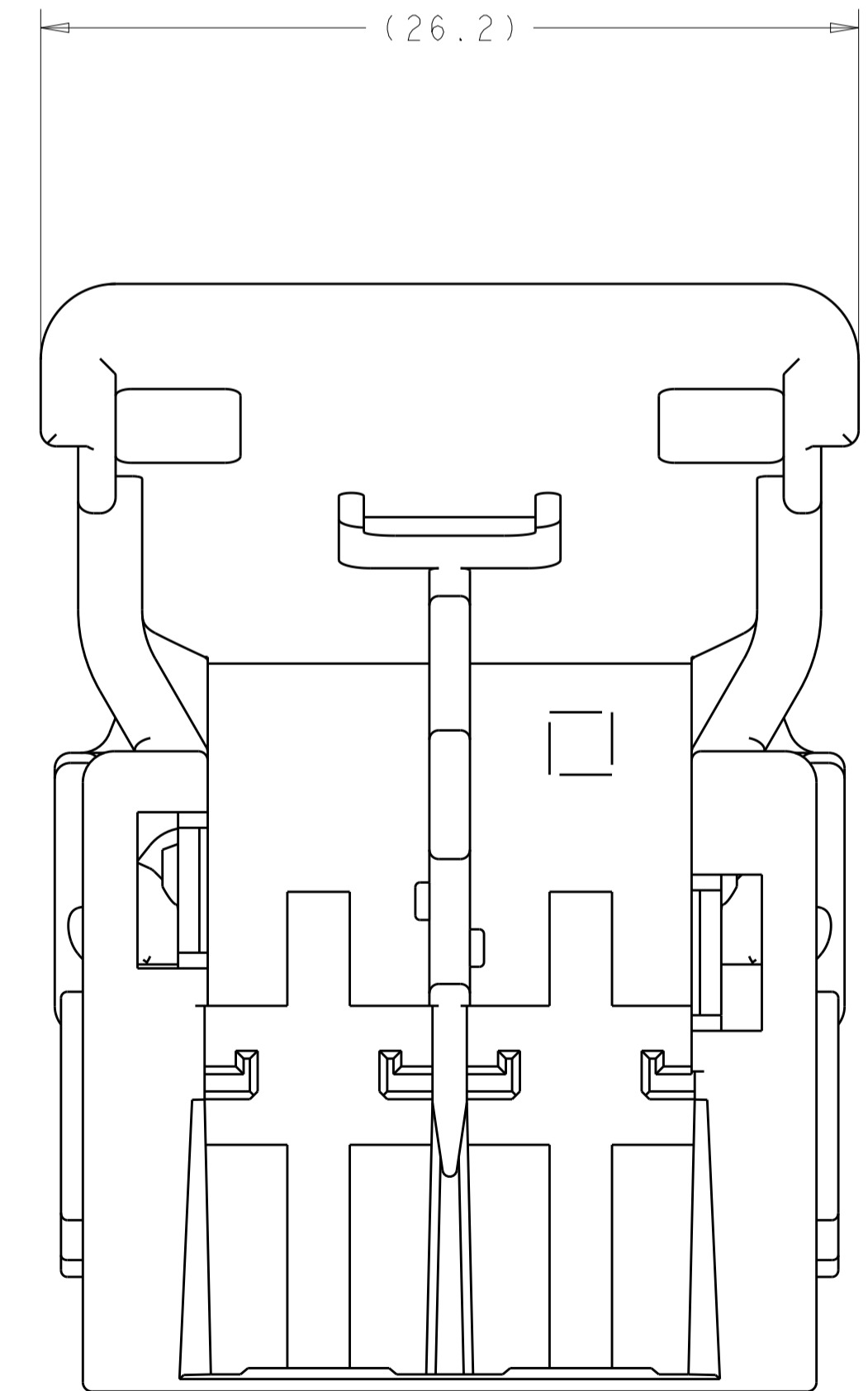


ASSY P/N: 2098633-4
KEYING: D

REVISIONS				
P.	LTN.	DESCRIPTION	DATE	APVD.
A		REVISED PER ECR-12-010595	11JUN2012	MBH RH
B		REVISED PER ECO-15-011566	15SEP2015	DLD CJS



ISOMETRIC VIEWS
SCALE 2:1



- 1. MATERIAL: SHIELD - 35% GLASS REINFORCED NYLON. SEE TABLE BELOW FOR COLOR. LEVER - 35% GLASS REINFORCED NYLON. COLOR: DARK GREY.
- 2. REFERENCE: CARRIER 2098634-1 AND 2098634-2 USED WITH THIS ASSEMBLY.
- 3. REFERENCE: INTERFACE DETAIL PER TE DRAWING NO 2098633-MXCU.

COLOR	KEYING OPT.	PART NUMBER
BLACK	D	2098633-4
BLUE	C	2098633-3
GREY	B	2098633-2
BLACK	A	2098633-1

THIS DRAWING IS A CONTROLLED DOCUMENT.

DIMENSIONS:	TOLERANCES UNLESS OTHERWISE SPECIFIED:	OWN: S. VINAY 22MAR2010	CHK: M. GALEN 22MAR2010	APVD: M. GALEN 22MAR2010	NAME: SHIELD ASSEMBLY, 40 POSITION GENERATION Y LAC
mm	0 PLC ± 1 PLC ± 2 PLC ± 3 PLC ± 4 PLC ± ANGLES ±1*	PRODUCT SPEC	APPLICATION SPEC	SIZE: A1	CAGE CODE: 00779
MATERIAL:	FINISH:	WEIGHT:	CUSTOMER DRAWING	SCALE: 5:1	SHEET 1 OF 1

TE Connectivity