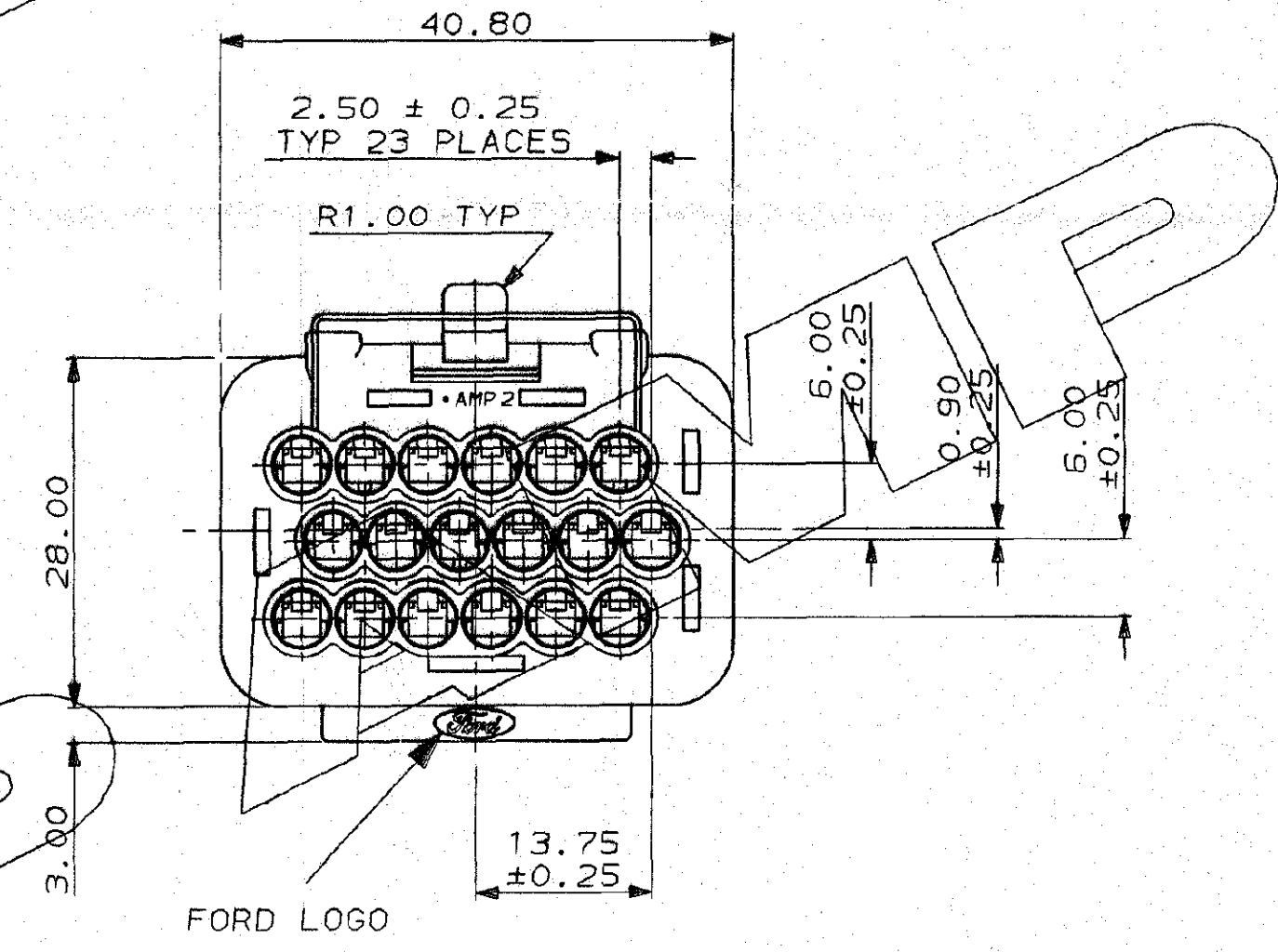
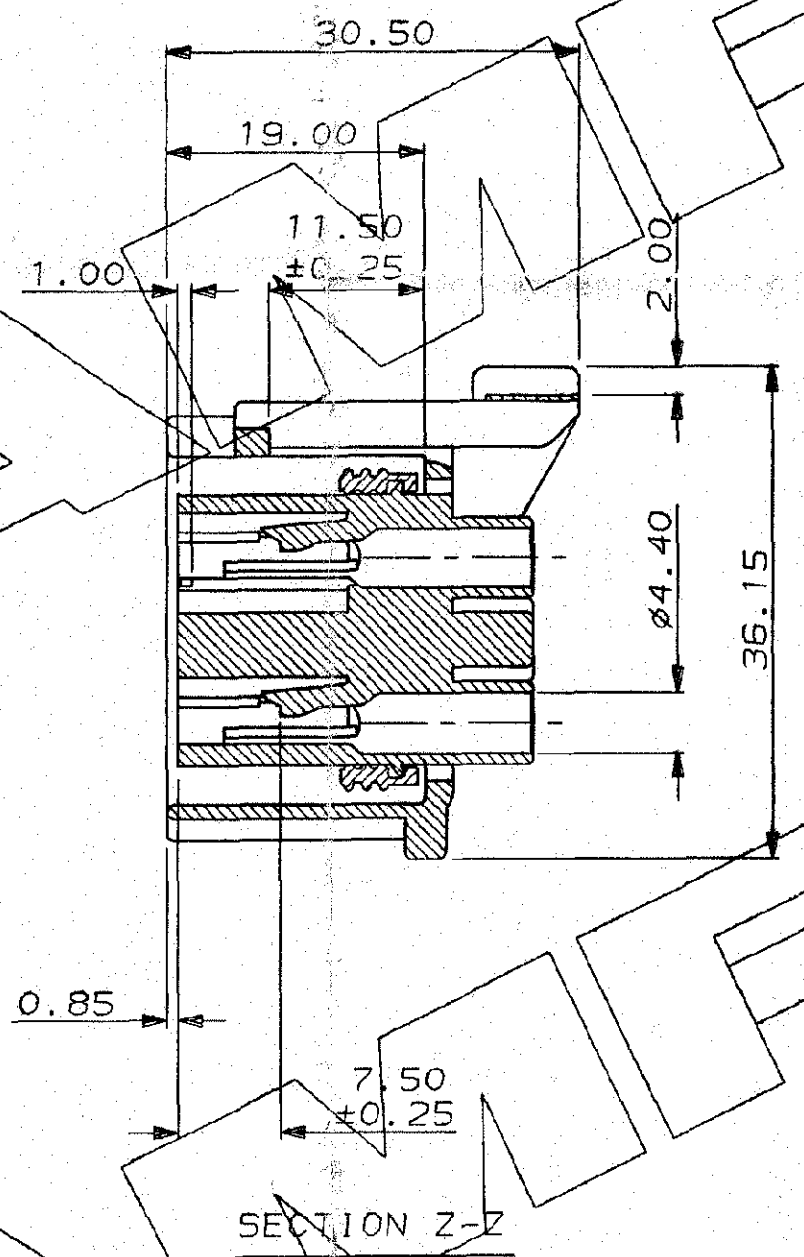
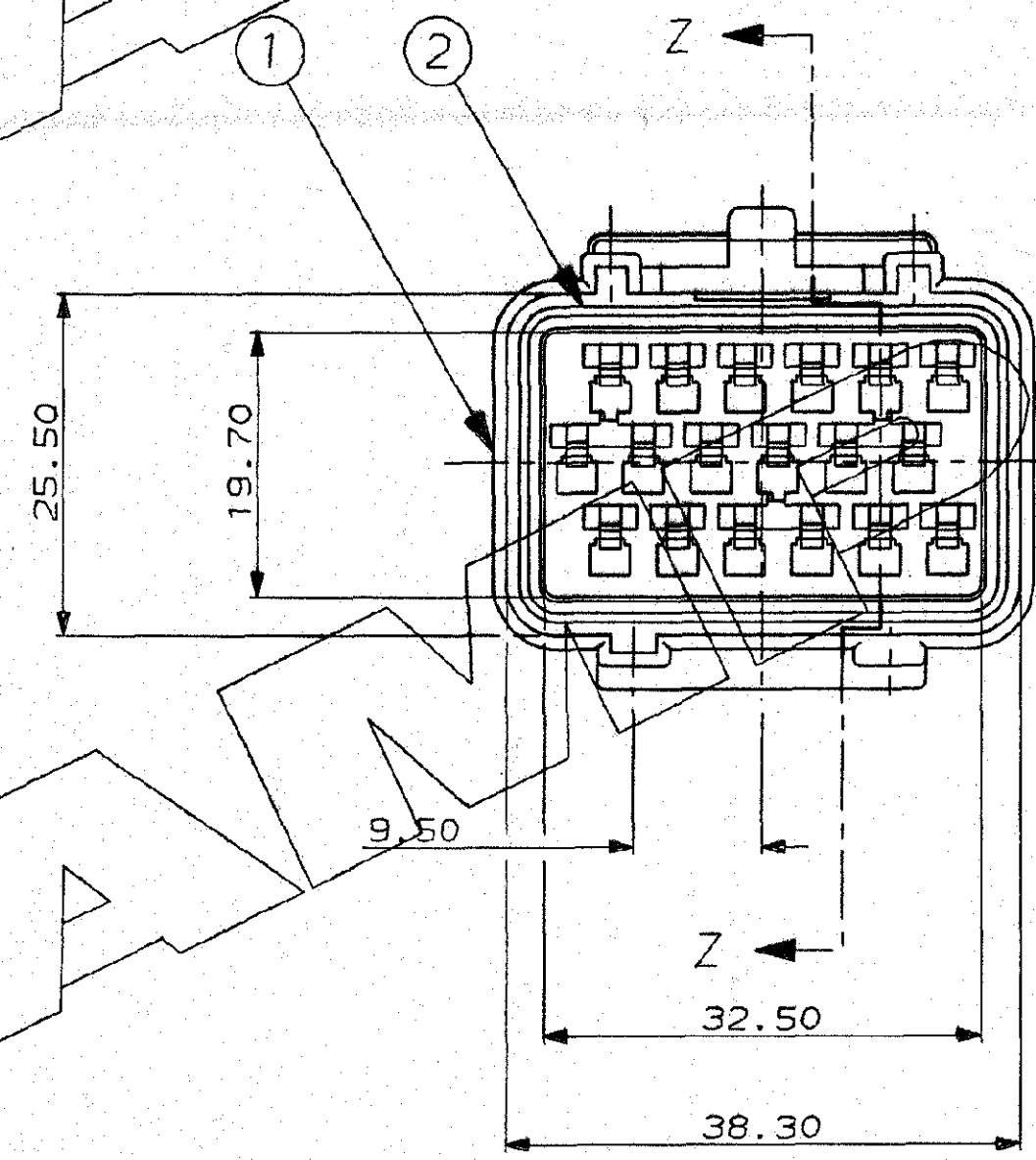
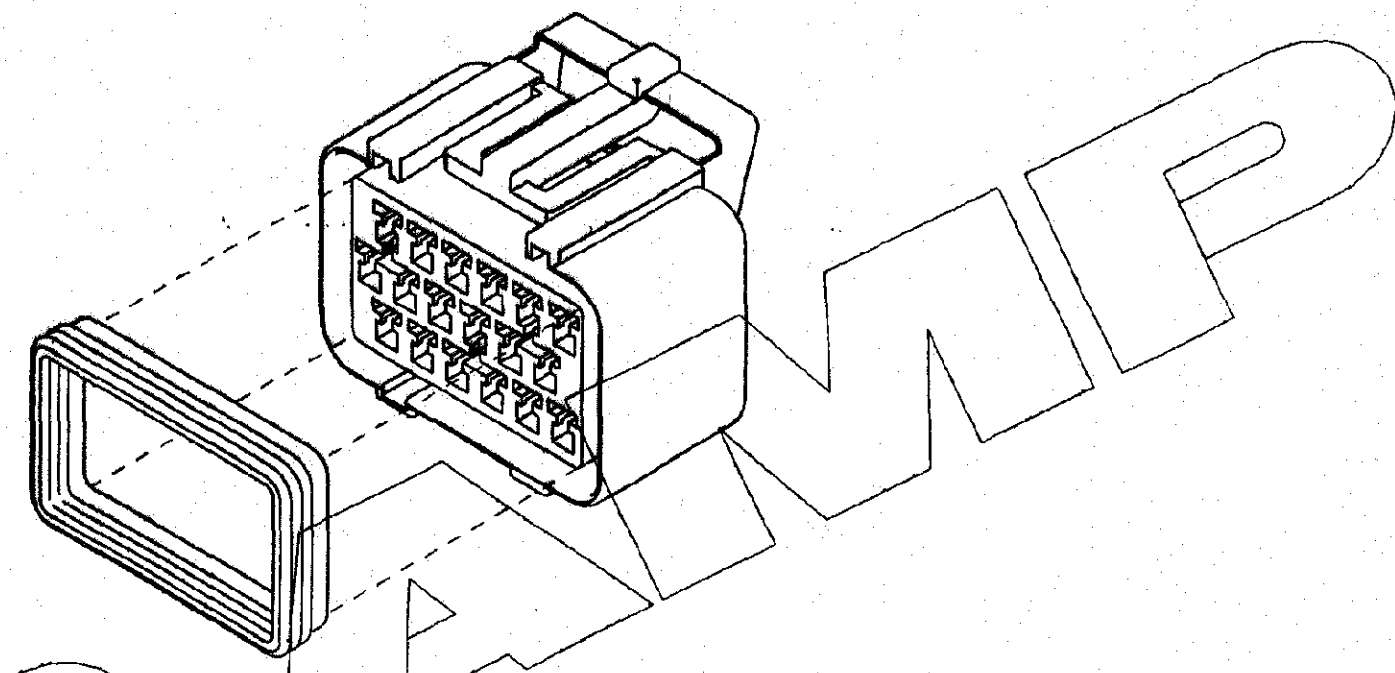
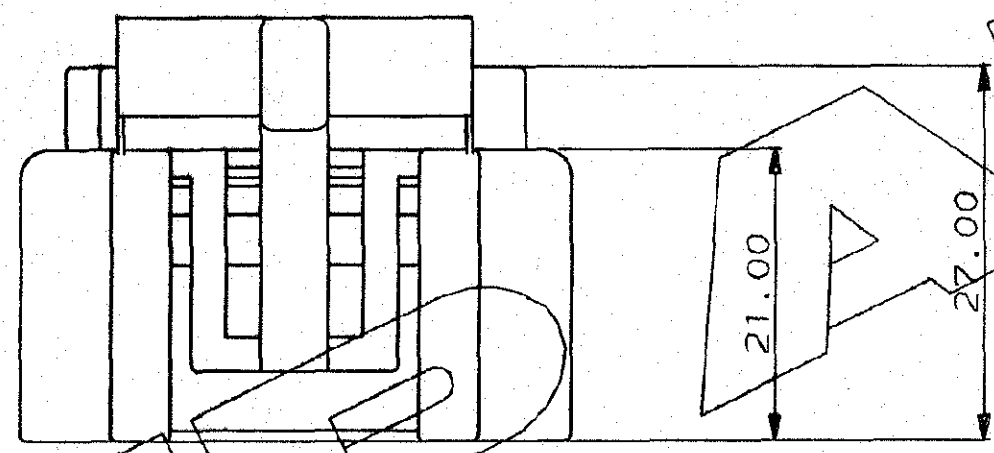


C.A.D. FILE CODE
5. C348750.A

DO NOT SCALE

DIMENSIONS IN MM.



CUSTOMER DWG FOR REFERENCE ONLY				©COPYRIGHT 1987 BY AMP OF GREAT BRITAIN LTD. RELEASED FOR PUBLICATION ALL INTERNATIONAL RIGHTS RESERVED. ALL PRODUCTS 22-6-87 MAY BE COVERED BY BRITISH AND FOREIGN PATENTS AND/OR PATENTS PENDING.			
				TOLERANCES UNLESS OTHERWISE STATED DEC ± 0.5 ANGLES ± 1°		DR. R. J. S. 11.4.94 CH. P. T. APP. J. P.	
				AMP of Great Britain Ltd. TERMINAL HOUSE STAMORE HIXX.			
				NAME 18 WAY RECEPTACLE HOUSING ASSY. FOR ECONOSEAL 3 (WIRE TO BOARD)			
				SCALE 2/1	LOC E	SIZE A2	DWG. No. C348750
				REV 1	MODIFICATION	ECN	DATE 11.4.94
				REV 1	MODIFICATION	ECN	DATE 11.4.94

2	SILICONE RUBBER	PERIPHERAL SEAL (ORANGE)	1	348750-1
1	NYLON 66	18 WAY REC. HSG. (BLACK)	1	
ITEM No.	MATERIAL	DESCRIPTION	QTY. PER ASSY.	ASSEMBLY PART No.