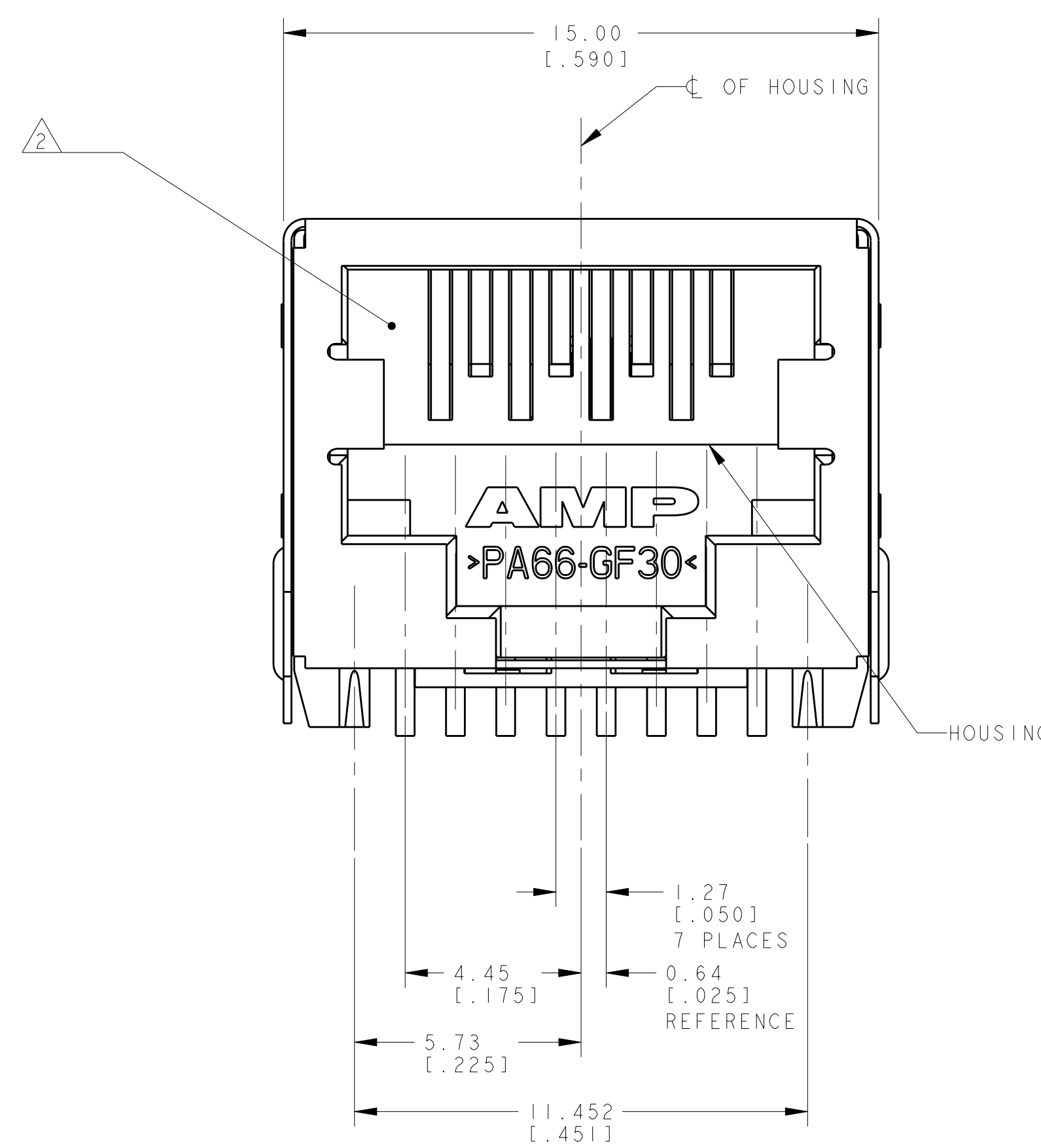
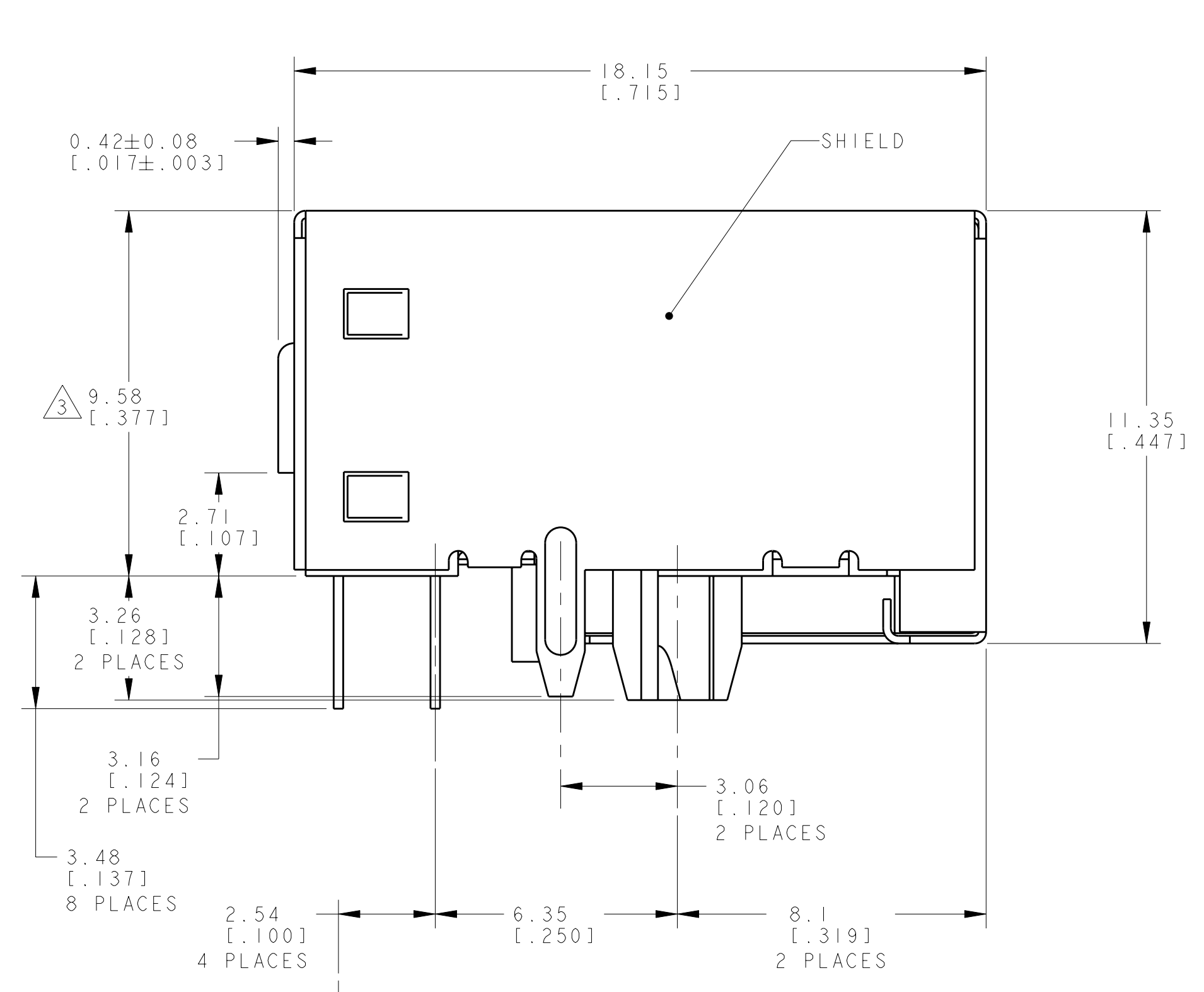
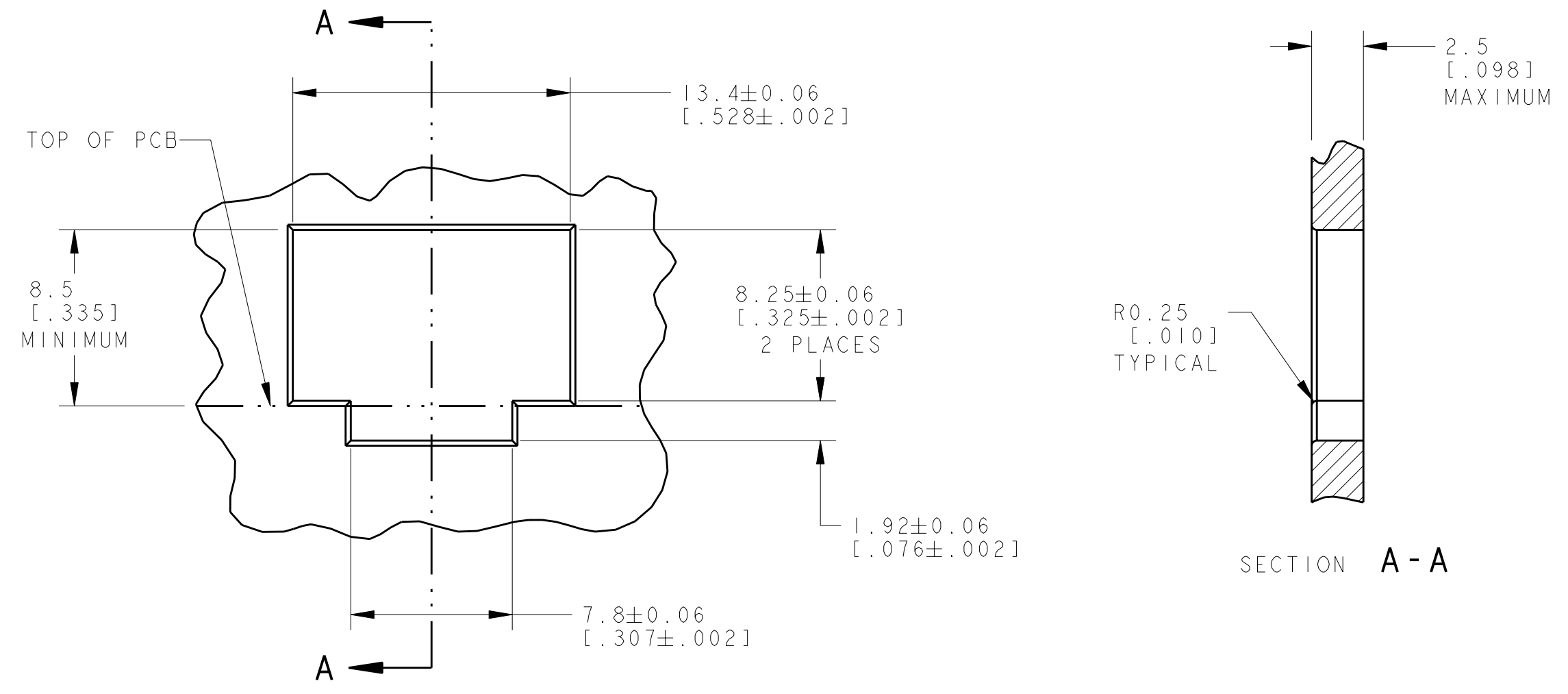
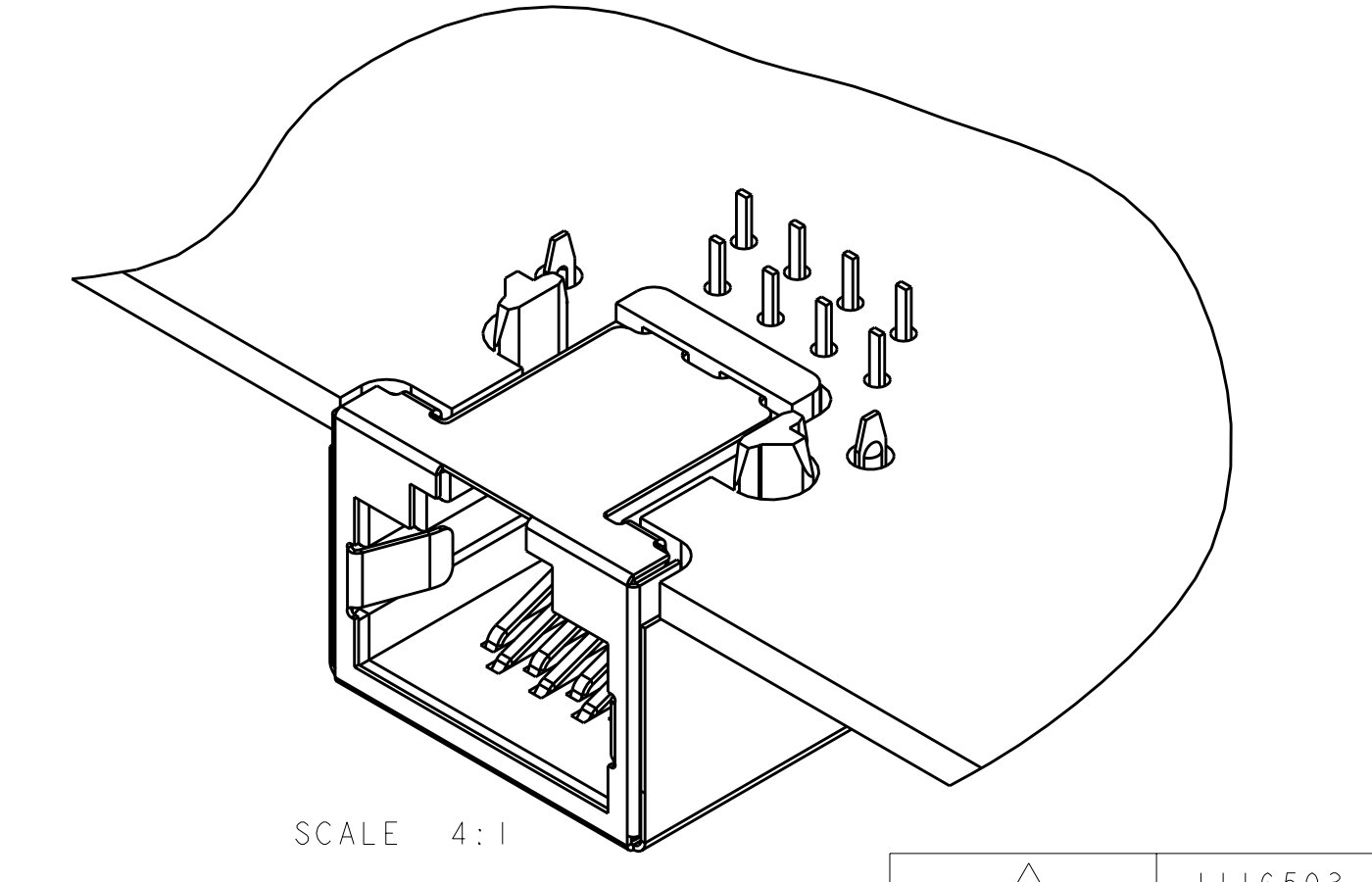
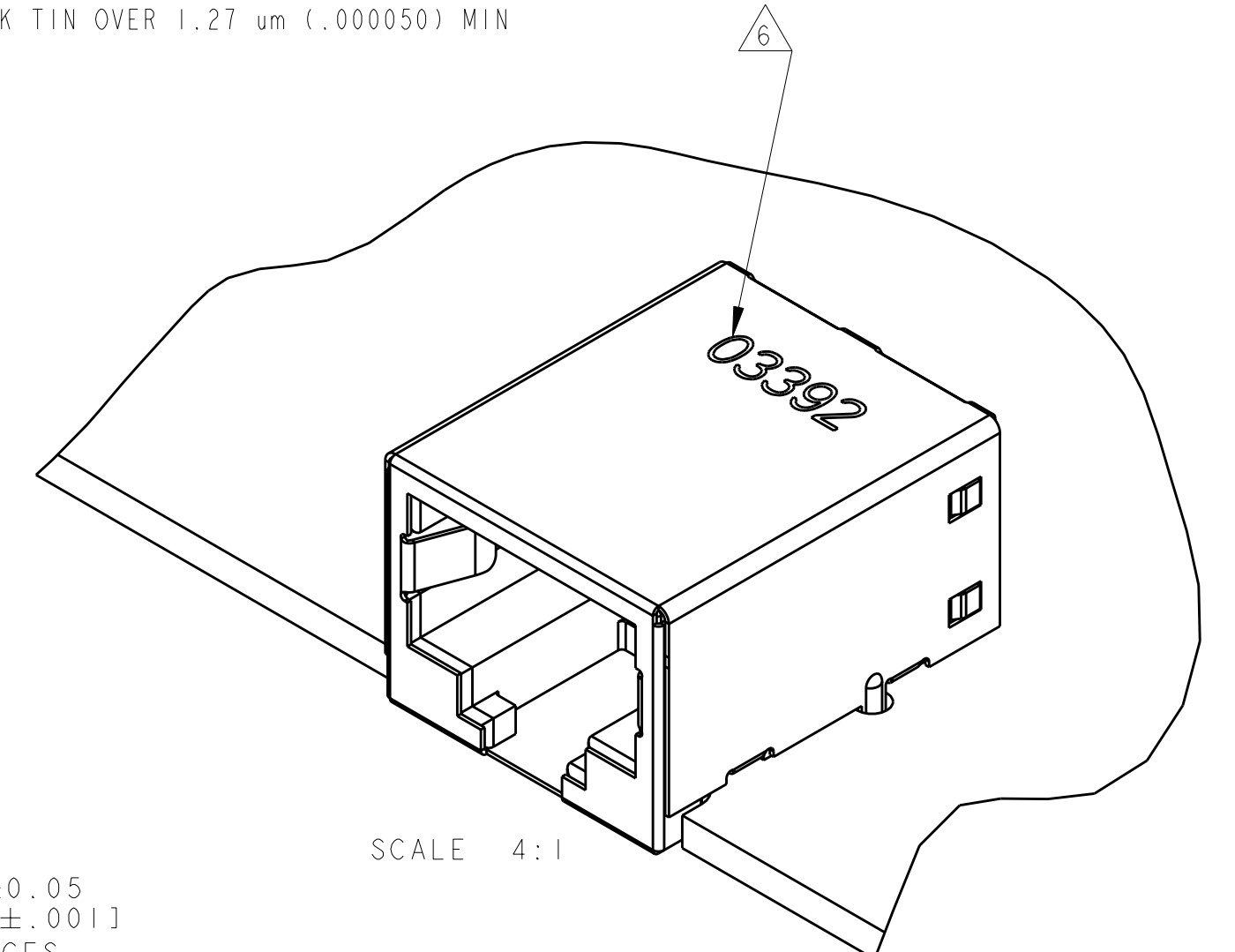
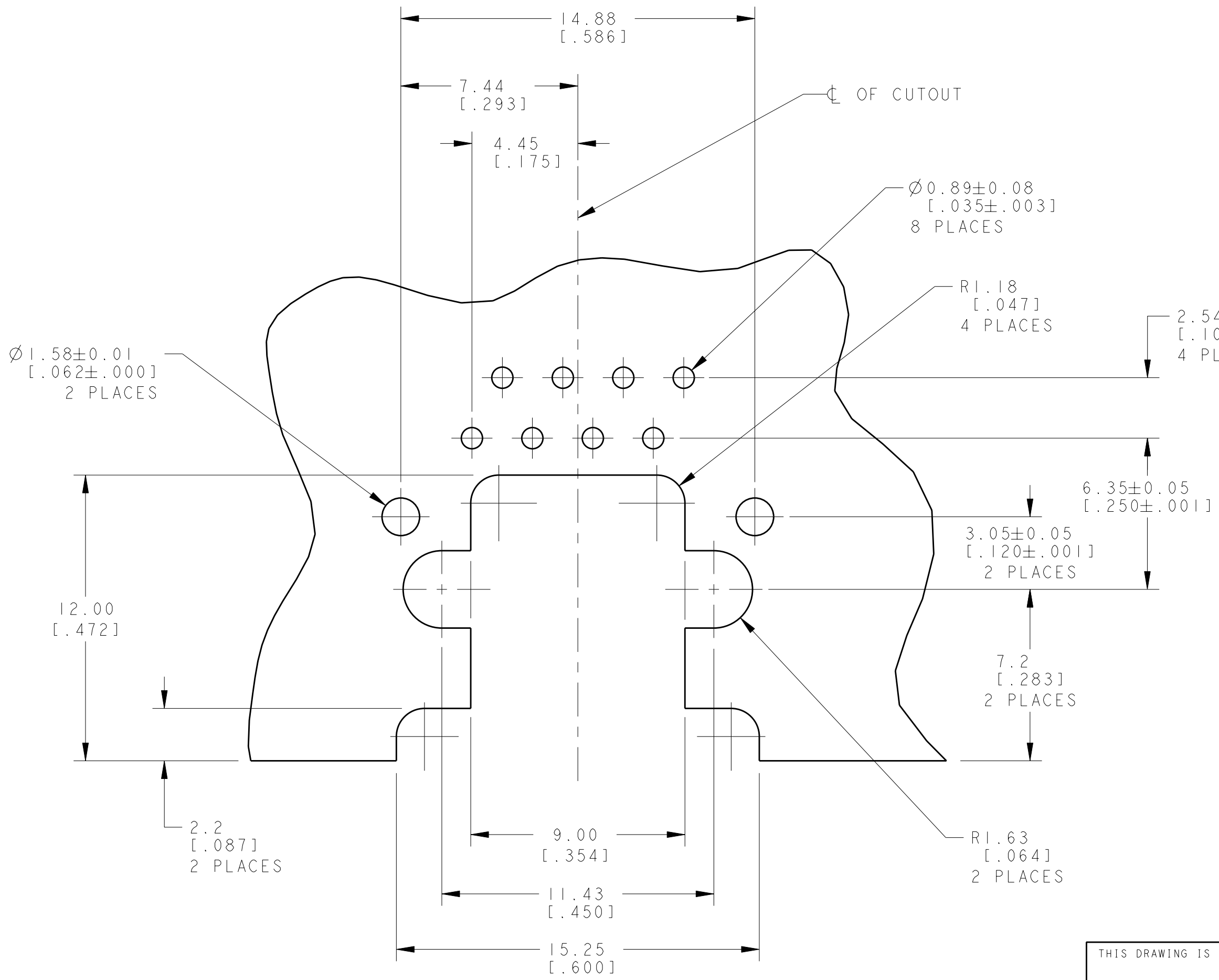
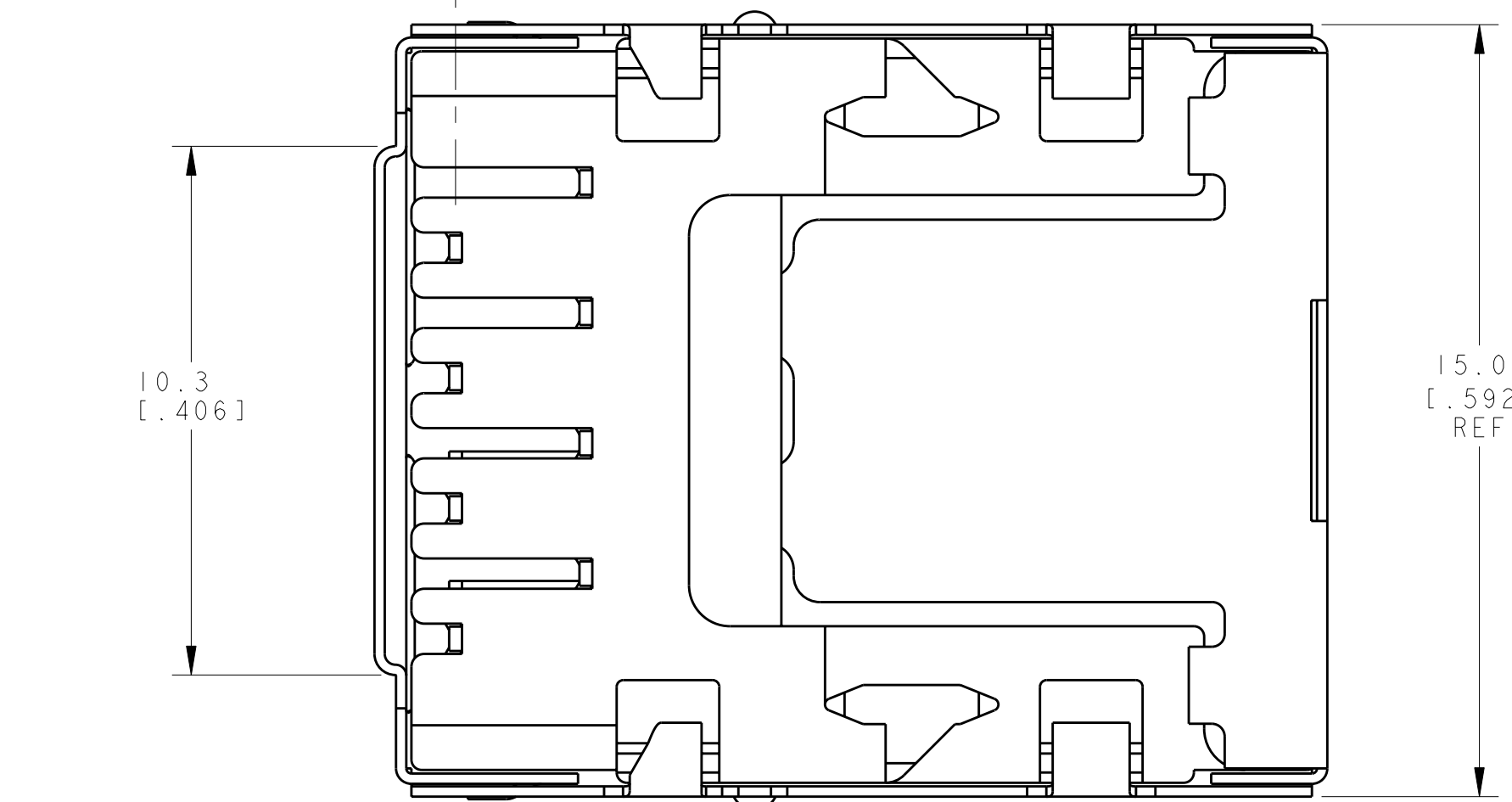


LOC	DIST	REV	DATE	BY	CHK	APPV
AA	22	N1	12MAY2011	RK	HMR	



- △ MATERIAL: HOUSING - HIGH TEMPERATURE NYLON, BLACK, UL 94V-0, TERMINALS - 0.25[.01] THICK PHOSPHOR BRONZE PLATED WITH 3.81um[.000150] MINIMUM THICK BRIGHT TIN-LEAD IN SOLDER AREA AREA, 1.27um[.000050] MINIMUM GOLD IN LOCALIZED PLATE AREA. ENTIRE TERMINAL PLATED WITH 1.27um[.000050] MINIMUM THICK NICKEL. SHIELD - 0.1[.0039] MIN THICK COPPER ZINC ALLOY, PREPLATED WITH 2.0-4.0um [0.00079-.000157] THICK TIN OVER 1.27 um (.000050) MIN THICK NICKEL.
- △ JACK CAVITY CONFORMS TO FCC RULES AND REGULATIONS PART 68, SUBPART F.
- △ THIS DIMENSION REPRESENTS THE TOTAL HEIGHT OF THE CONNECTOR FROM THE TOP OF THE PC BOARD.
- 4. PACKAGED 66 ASSEMBLIES PER PVC TRAY, 396 PER BOX.
- 5. DIELECTRIC WITHSTANDING VOLTAGE BETWEEN SHIELD AND TERMINAL IS 1500 VAC
- △ MANUFACTURING DATE CODE:  
ORIENTED AND LOCATED APPROXIMATELY AS SHOWN. BLACK INK STAMP. TEXT HEIGHT APPROXIMATELY 2MM.  
FIRST 2 DIGITS = LAST 2 DIGITS OF YEAR  
NEXT 2 DIGITS = MANUFACTURING WORK WEEK  
LAST DIGIT = DAY OF WEEK WITH SUNDAY = 1
- △ MATERIAL: HOUSING - HIGH TEMPERATURE NYLON, BLACK, UL 94V-0, TERMINALS - 0.25[.01] THICK PHOSPHOR BRONZE PLATED WITH 3.81um[.000150] MINIMUM THICK MATTE TIN IN SOLDER AREA AREA, 1.27um[.000050] MINIMUM GOLD IN LOCALIZED PLATE AREA. ENTIRE TERMINAL PLATED WITH 1.27um[.000050] MINIMUM THICK NICKEL. SHIELD - 0.1[.0039] MIN THICK COPPER ZINC ALLOY, PREPLATED WITH 2.0-4.0um [0.00079-.000157] THICK TIN OVER 1.27 um (.000050) MIN THICK NICKEL.



SUGGESTED PRINTED CIRCUIT BOARD LAYOUT COMPONENT SIDE SCALE 6:1

THIS DRAWING IS A CONTROLLED DOCUMENT.		DWN: AHERON 07APR99	1116503-2
DIMENSIONS: mm [INCHES]		CHK: D. KEMPKA 07APR99	1116503-1
TOLERANCES UNLESS OTHERWISE SPECIFIED:		APPV: D. KEMPKA 07APR99	MATERIAL / FINISH
9 PLC ±	0.13 [0.005]	NAME	TE Connectivity
3 PLC ±	0.13 [0.005]	PRODUCT SPEC	MODULAR JACK ASSEMBLY, 8 POSITION, SHIELDED, 10mm WITHOUT PANEL TABS
5 PLC ±	0.13 [0.005]	APPLICATION SPEC	108-1163
4 PLC ±	0.13 [0.005]	SIZE	114-2048
ANGLES ±	0.13 [0.005]	WEIGHT	3.49 grams
MATERIAL: SEE P/N TABLE	FINISH: SEE P/N TABLE	CUSTOMER DRAWING	A1100779C=1116503
SCALE 8:1			SHEET 1 OF 1