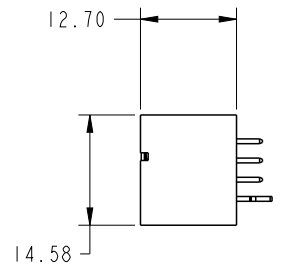
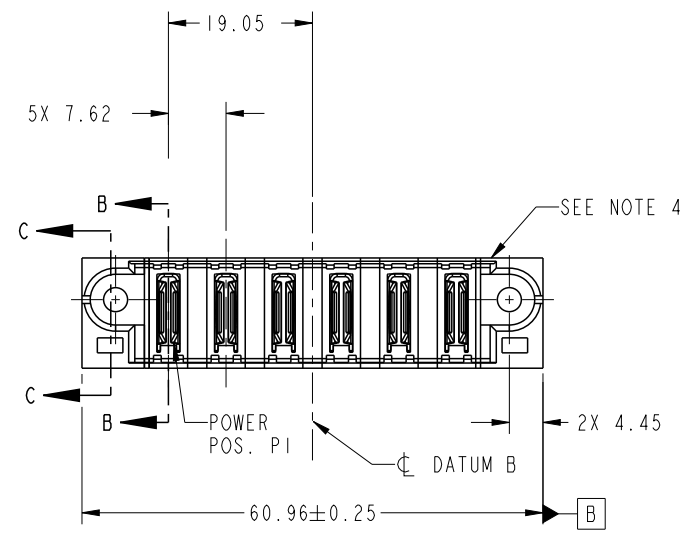




Copyright FCI.

PRODUCT NO. 51952-225-- NOTE ③	POWER							E2
	E1	P1	P2	P3	P4	P5	P6	



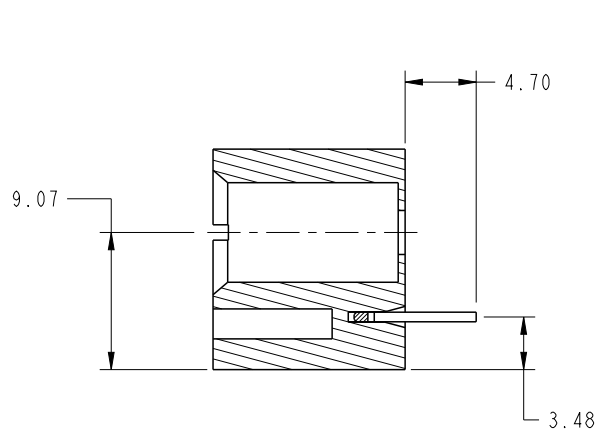
CODE	DIM "M" MATING LENGTH	CONTACT TYPE
PA	[N/A]	POWER
HA	[N/A]	HOLD-DOWN

spec ref	SEE NOTE	dr	Ruan MT	2012/08/09	projection 	MM ←→	size	A4	scale	1:1
tolerance std	TOLERANCES UNLESS OTHERWISE SPECIFIED	eng	Ruan MT	2013/04/08			ecn no	-		
SEE NOTE		chr	-	-			rel level	Released		
surface	linear	0.X	±0.5	 www.fci.com	title 6ACP VERTICAL PRESS FIT HEADER	dwg no 51952-225	rev A			
		0.XX	±0.25							
	angular	0°	±2°							
		cat. no.		-	Product - Customer Drw		sheet 1 of 4			

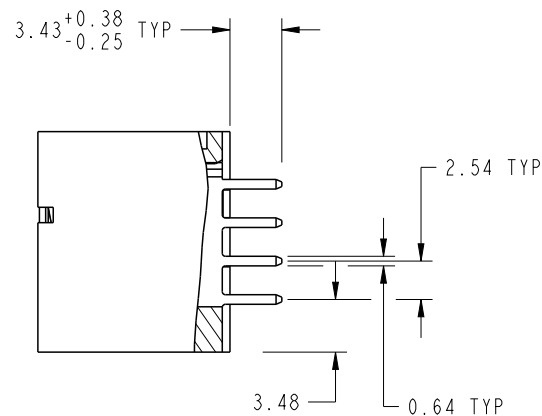
PrdE File - REV C - 2009-06-09

PRODUCT NUMBER

51952-225--
NOTE 3



SECTION C-C
SCALE 2:1

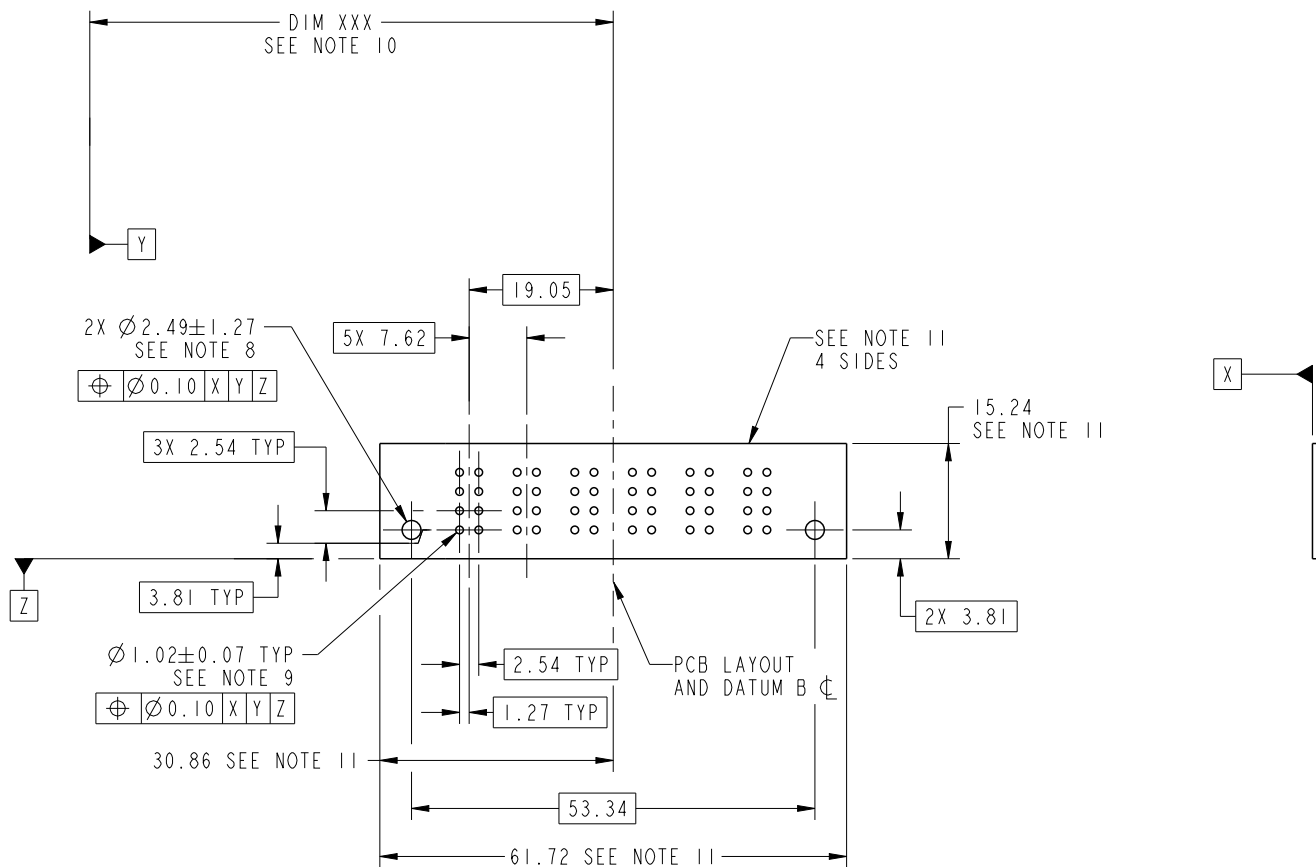


SECTION B-B
SCALE 2:1

spec ref		SEE NOTE		dr	Ruan MT	2012/08/09	projection 	MM ←→	size	A4	scale	1:1	
tolerance std		TOLERANCES UNLESS OTHERWISE SPECIFIED		eng	Ruan MT	2013/04/08			ecn no	-			
SEE NOTE				chr	-	-							
surface		linear	0.X ±0.5	appr	Pei-Ming Zheng	2013/04/08	product family		PwrBlade	rel level	Released		
			0.XX ±0.25			title		6ACP		dwg no	51952-225		
			0.XXX ±0.1	www.fci.com		cat. no.		-		Product - Customer Drw		rev	A
		angular	0° ±2°							sheet 2 of 4			

PRODUCT NUMBER

51952-225__
NOTE 3



RECOMMENDED PCB LAYOUT

spec ref	SEE NOTE			dr	Ruan MT	2012/08/09	projection 	MM ←→	size	A4	scale	1:1
tolerance std	TOLERANCES UNLESS OTHERWISE SPECIFIED			eng	Ruan MT	2013/04/08			ecn no	-	rel level	Released
SEE NOTE				chr	-	-						
surface	linear	0.X	±0.5	appr	Pei-Ming Zheng	2013/04/08	product family		PwrBlade		rev	A
		0.XX	±0.25	www.fci.com			title		6ACP		51952-225	
		0.XXX	±0.1									
	angular	0°	±2°	cat. no.		-	Product - Customer Drw		sheet 3 of 4			

PRODUCT NUMBER

51952-225__
NOTE 3

NOTES:

1. DIMENSIONS AND TOLERANCES ARE IN ACCORDANCE WITH ASME Y14.5M, 1994 UNLESS OTHERWISE SPECIFIED.

CONNECTOR NOTES:

- ② HOUSING MATERIAL: UL 94 V-0 GLASS FILLED HIGH-TEMP THERMOPLASTIC
POWER CONTACT MATERIAL: COPPER ALLOY
SIGNAL PIN MATERIAL: COPPER ALLOY
 - 3. SEE ITEM 1 & 2 IN PRINT 10064183 FOR PLATING SPEC OF 51952-225 AND 51952-225LF RESPECTIVELY.
 - ④ MANUFACTURER'S NAME, DATE CODE AND OPTIONAL P/N TO APPEAR ON THIS SURFACE. THE MARK CAN BE OMITTED IF THERE IS NOT ENOUGH SPACE ON THIS SURFACE.
 - 5. PRODUCT SPECIFICATION GS-12-149.
APPLICATION SPECIFICATION BUS-20-067.
 - 6. PACKAGED IN TRAYS.
- PCB NOTES:
- 7. ALL HOLE DIAMETERS ARE FINISHED HOLE SIZE.
 - 8. MOUNTING HOLES, WHERE APPLICABLE, ARE UNPLATED.
 - ⑨ $\varnothing 1.151 \pm 0.025$ DRILLED HOLES PLATED WITH 0.008 MIN SnPb OR Sn OVER .001 [0.03] TO 0.08 Cu PLATING TO ACHIEVE $\varnothing 1.02 \pm 0.07$ HOLE.
 - ⑩ "DIM XXX" TO BE DETERMINED BY THE CUSTOMER.
 - ⑪ CONNECTOR KEEP-OUT ZONE.

spec ref		SEE NOTE		dr	Ruan MT	2012/08/09	projection 	MM 	size	A4	scale	1:1
tolerance std		TOLERANCES UNLESS OTHERWISE SPECIFIED		eng	Ruan MT	2013/04/08			ecn no	-		
SEE NOTE				chr	-	-			rel level	Released		
surface		linear	0.X	± 0.5	FCj 	title	6ACP	dwg no	51952-225	rev	A	
			0.XX	± 0.25								
			0.XXX	± 0.1								
		angular	0°	$\pm 2^\circ$	www.fci.com	cat. no.	-	Product - Customer Drw	sheet 4 of 4			



Copyright FCI.