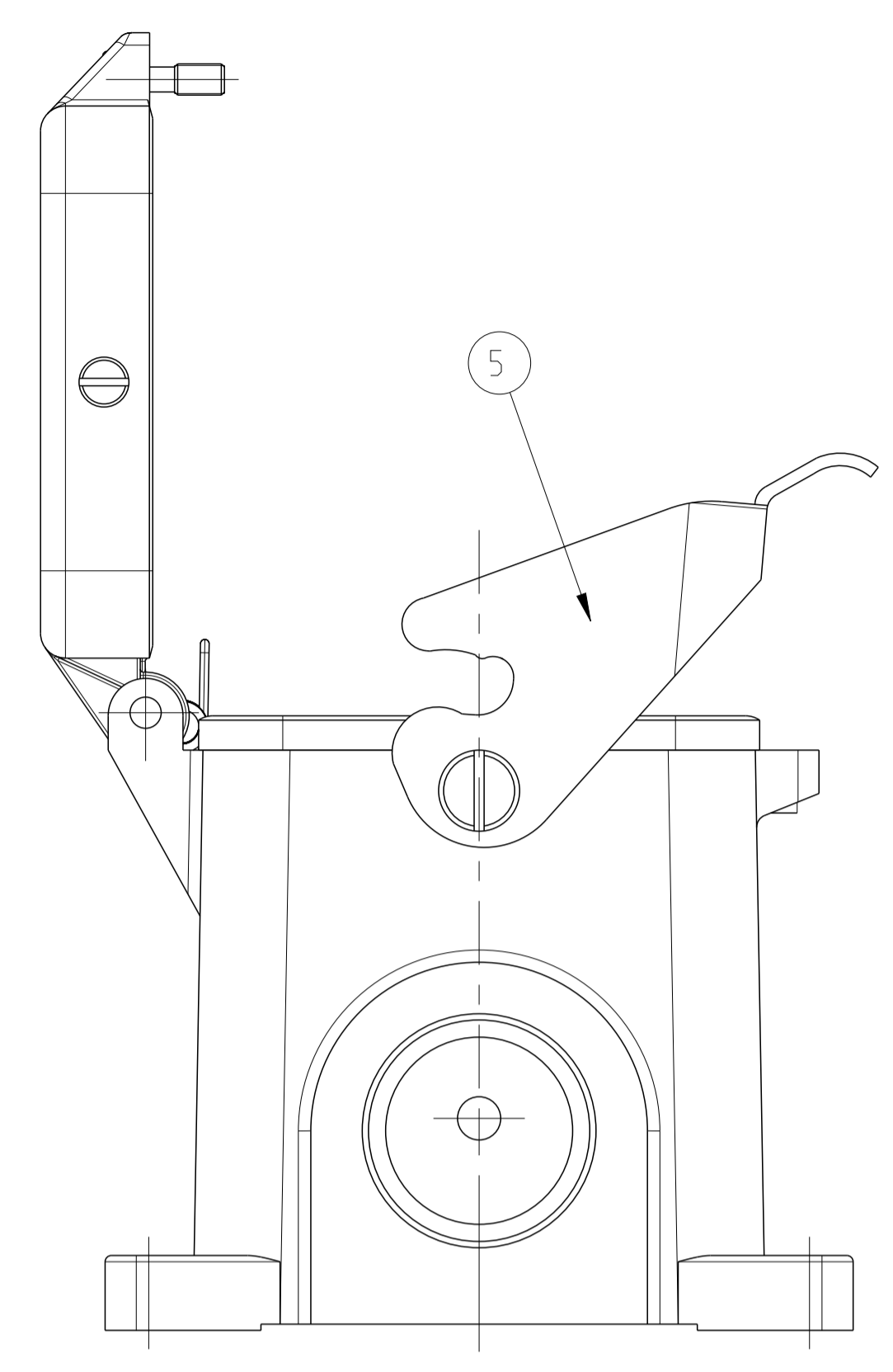
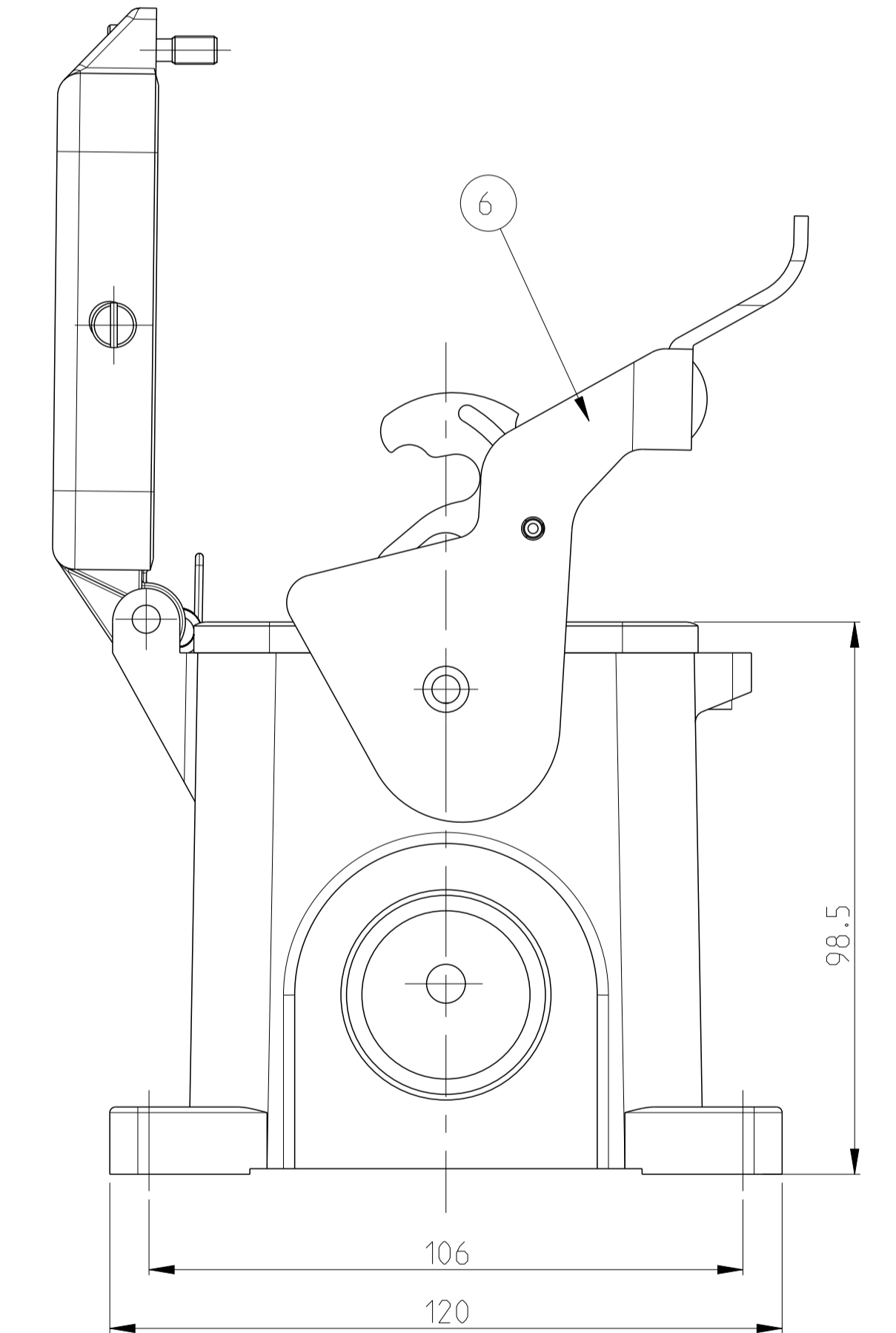
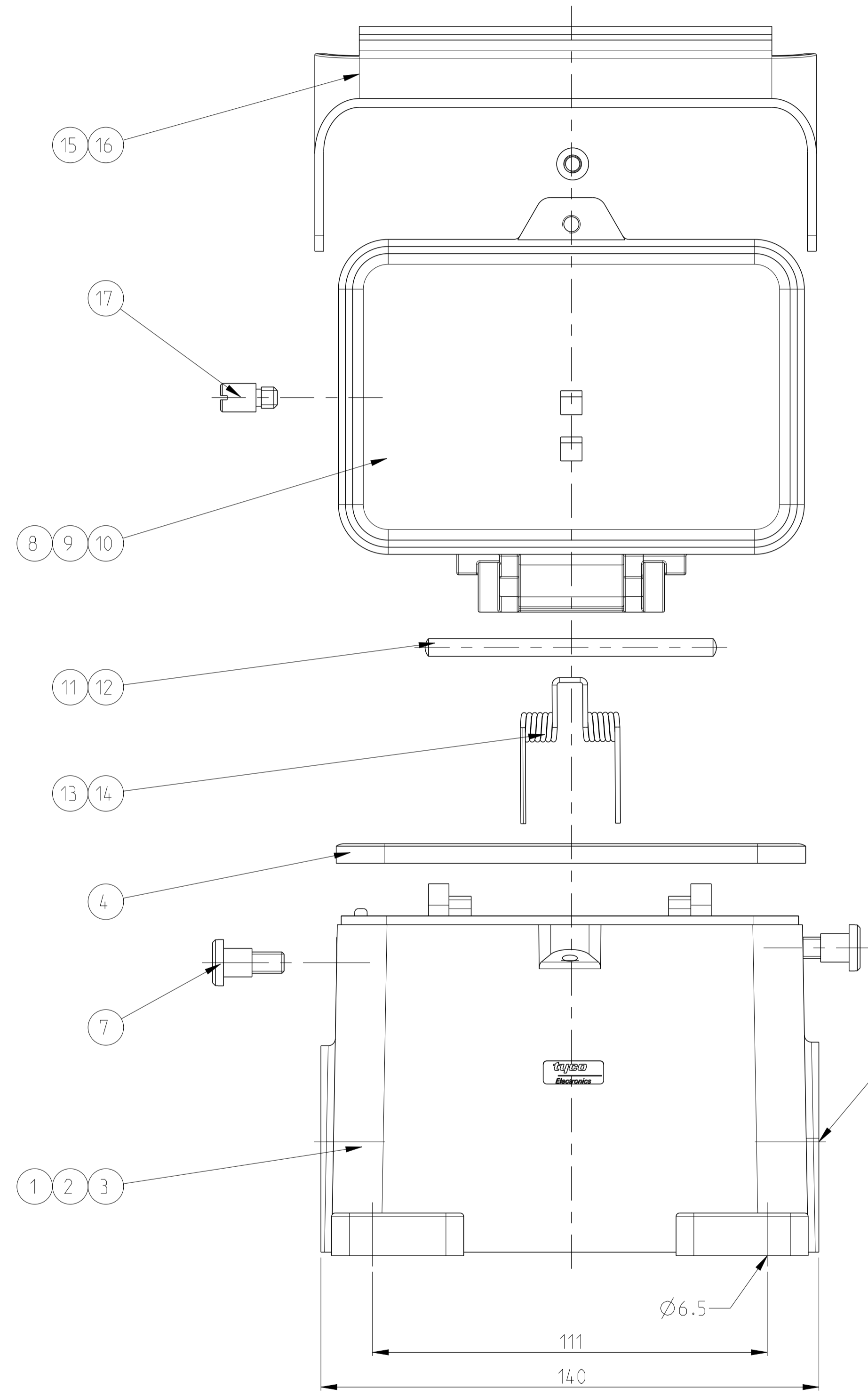


LOC		DIST		REVISIONS				
P	LTN	DESCRIPTION	DATE	DWN	APVD			
A3		new pro/E drawing ECR-09-003111	28JAN2009	SR	AR			
A4		ECR-15-000844	29JAN2015	GSK	MKO			



- NOTES
- PART SHALL BE FREE AND CLEAN OF BURRS AND OTHER FOREIGN MATERIAL
 - PACKAGING: QUANTITY 2 PIECES
 - VARNISHING INSIDE HOUSING NOT REQUIRED

QTY	DESCRIPTION	MATERIAL	SURFACE	COLOR	ITEM	NOTES		
2	CLIP BOLT	STAINLESS STEEL	BLANC		17			
1	CILYNDER SCREW	STAINLESS STEEL	BLANC		16	M5x16		
1	CILYNDER SCREW	STEEL	ZINC PLATED	BLUE	15	M5x16		
1	LEG SPRING	STAINLESS STEEL	BLANC		14			
1	LEG SPRING	STEEL	ZINC PLATED	BLUE	13			
1	RIVET PIN	STAINLESS STEEL	BLANC		12	5x80		
1	RIVET PIN	STEEL	ZINC PLATED	BLUE	11	5x80		
1	COVER	ALUMINIUM		WITHOUT VARNISH	10			
1	COVER	ALUMINIUM	ALUMINIUMOXID	BLACK	9			
1	COVER	ALUMINIUM		GREY	8			
2	2	2	SLOTTED PAN HEAD SCREW	STAINLESS STEEL	BLANC	7	M6x8	
1	1	1	SIDE CLIP	STAINLESS STEEL	BLANK	6		
1	1	1	SIDE CLIP	STEEL	ZINC PLATED	BLUE	5	
1	1	1	PRPOFIL SEAL	NEOPRENE		BLACK	4	
1	1	1	SURFACE MOUNTED HOUSING SIDE ENTRY	ALUMINIUM		WITHOUT VARNISH	3	WITHOUT Pg
1	1	1	SURFACE MOUNTED HOUSING SIDE ENTRY	ALUMINIUM	ALUMINIUMOXID	BLACK	2	
1	1	1	SURFACE MOUNTED HOUSING SIDE ENTRY	ALUMINIUM		GREY	1	
0-1	2-2	1-2	DESCRIPTION	MATERIAL	SURFACE	COLOR	ITEM	NOTES
			HB.48.SGD-LB.1.29.Z					
			HB-K.48.SGD-LB.1.29.Z					
			HB.48.SGD-LB-V2A					

THIS DRAWING IS A CONTROLLED DOCUMENT. DWN: R. SCHNEIDER 28JAN2009
 CHK: T. SCHNURPFEL 28JAN2009

TE Connectivity

NAME: SURFACE MOUNTED HOUSING SIDE ENTRY
 HB.48.SGD-LB.1.29.Z

SIZE: A1 CAGE CODE: 00779 DRAWING NO: 1107001
 SCALE: 1:1 SHEET 1 OF 1 REV: A4

CUSTOMER DRAWING