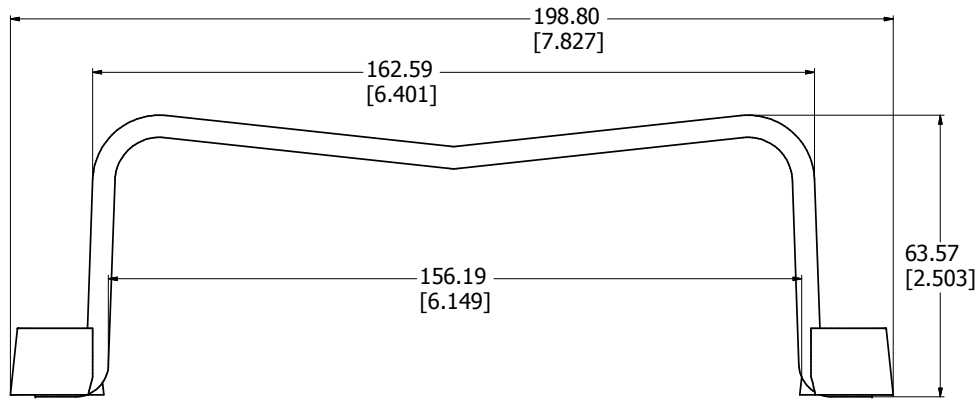
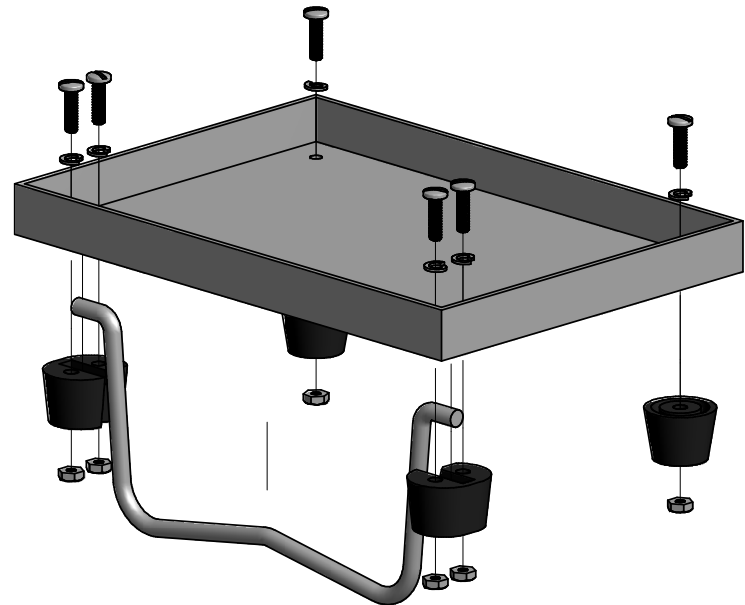
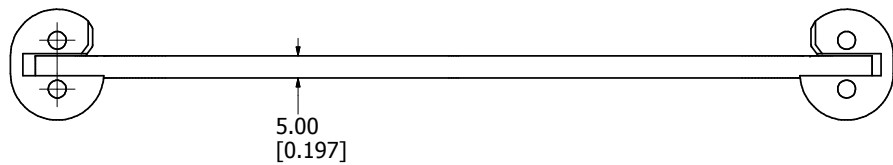


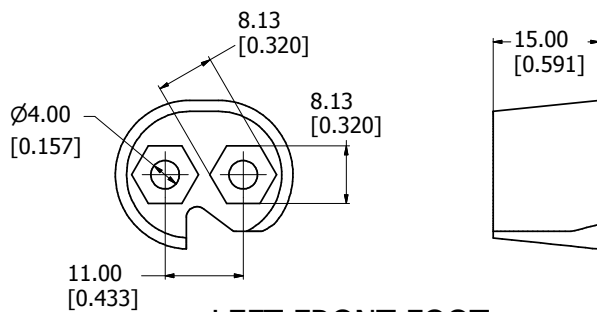
8 | 7 | 6 | 5 | 4 | 3 | 2 | 1



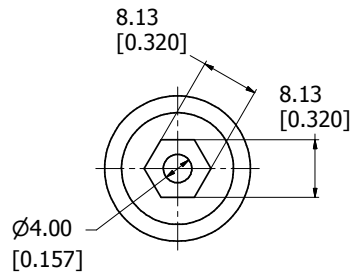
BAIL WITH FRONT FEET



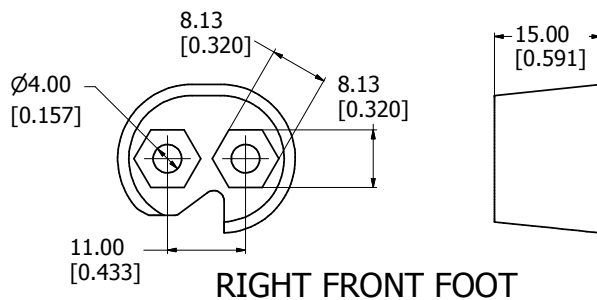
EXPLODED BAIL ASSEMBLY (BOX NOT INCLUDED)



LEFT FRONT FOOT



BACK FOOT



RIGHT FRONT FOOT

1427D7
Bail - Bright Chrome Plated Steel
Feet - Matte Black Plastic
Hardware
6 Screws - Panhead 6-32 x 1/2"
6 Nuts - #6-32 Hex Nut
6 Washers - #6 Lock-Washer
**note bail sold singly



**HAMMOND
MANUFACTURING™**

1427D7

8 | 7 | 6 | 5 | 4 | 3 | 2 | 1