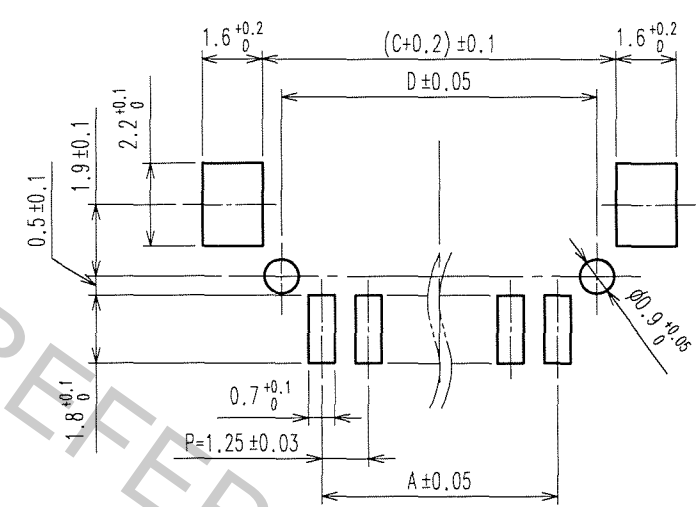


Apr.1.2017 Copyright 2017 HIROSE ELECTRIC CO., LTD. All Rights Reserved.

COUNT	DESCRIPTION OF REVISIONS	BY	CHKD	DATE	COUNT	DESCRIPTION OF REVISIONS	BY	CHKD	DATE
1	DIS-H-001671	T.K	H.V	07.01.18					

CODE No.	PARTS No.	NUMBER OF CONTACT	A	B	C	D	E	F
CL536-0251-1-50	DF13- 2P-1.25H(50)	2	1.25	3.15	4.15	7.15	3.35	5.65
CL536-0252-4-50	DF13- 3P-1.25H(50)	3	2.5	4.4	5.4	8.4	4.60	6.9
CL536-0253-7-50	DF13- 4P-1.25H(50)	4	3.75	5.65	6.65	9.65	5.85	8.15
CL536-0254-0-50	DF13- 5P-1.25H(50)	5	5.0	6.9	7.9	10.9	7.10	9.40
CL536-0255-2-50	DF13- 6P-1.25H(50)	6	6.25	8.15	9.15	12.15	8.35	10.65
CL536-0256-5-50	DF13- 7P-1.25H(50)	7	7.5	9.4	10.4	13.4	9.60	11.9
CL536-0257-8-50	DF13- 8P-1.25H(50)	8	8.75	10.65	11.65	14.65	10.85	13.15
CL536-0258-0-50	DF13- 9P-1.25H(50)	9	10.0	11.9	12.9	15.9	12.1	14.4
CL536-0259-3-50	DF13-10P-1.25H(50)	10	11.25	13.15	14.15	17.15	13.35	15.65
CL536-0260-2-50	DF13-11P-1.25H(50)	11	12.5	14.4	15.4	18.4	14.6	16.9
CL536-0261-5-50	DF13-12P-1.25H(50)	12	13.75	15.65	16.65	19.65	15.85	18.15
CL536-0263-0-50	DF13-14P-1.25H(50)	14	16.25	18.15	19.15	22.15	18.35	20.65
CL536-0264-3-50	DF13-15P-1.25H(50)	15	17.5	19.4	20.4	23.4	19.6	21.9

RECOMMENDED PATTERN

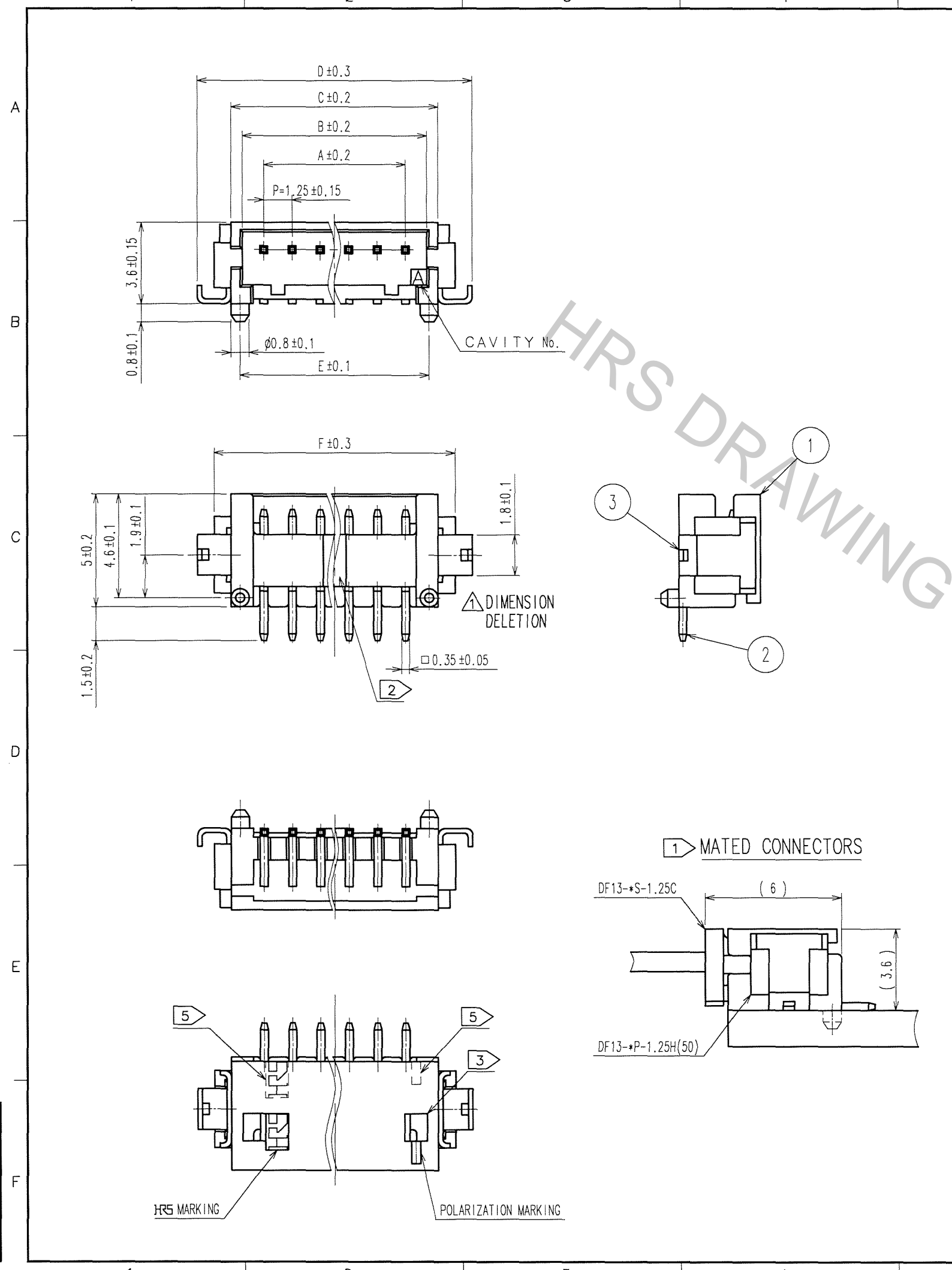


- NOTE
- ① : WHEN THIS CONNECTOR MATES WITH DF13-\*S-1.25C THE MATING LENGTH IS 3.6 mm.
  - ② : THERE SHALL BE STANDOFF MORE THAN FIVE CONTACTS.
  - ③ : WHEN THIS CONNECTOR HAS TWO OR THREE CONTACTS, THE LOCK SHALL BE SET AT THE CENTER OF HOUSING. IF MORE THAN FOUR, THE TWO LOCKS SHALL BE SET AS SHOWN ON THIS DRAWING.
  - ④ : FLATNESS OF LEAD WITH REINFORCED METAL FITTINGS SHALL BE WITHIN 0.1mm.
  - ⑤ : WHEN THIS CONNECTOR HAS MORE THAN SEVEN CONTACTS, HRS MARKING AND POLARIZATION MARKING SHIFT TO THE PLACE INDICATING DOTTED LINES.

2	BRASS	SURFACE PLATING: GOLD PLATED 0.2μm min UNDER PLATING: NICKEL PLATDE 0.5μm min	5	S. PVC	STOPPER
1	POLYAMIDE	BEIGE (NATURAL), UL94V-0	4	PVC	TUBE
			3	PHOSPHOR BRONZE	SURFACE PLATING: TIN PLATED 1μm min
NO.	MATERIAL	FINISH, REMARKS	NO.	MATERIAL	FINISH, REMARKS

CODE NO. (OLD)	DRAWN	DESIGNED	CHECKED	APPROVED	RELEASED
CL	T. Kumazawa	T. Kumazawa	H. Umehara	T. Oma	
	'05.03.11	'05.03.11	'05.03.15	'05.03.15	

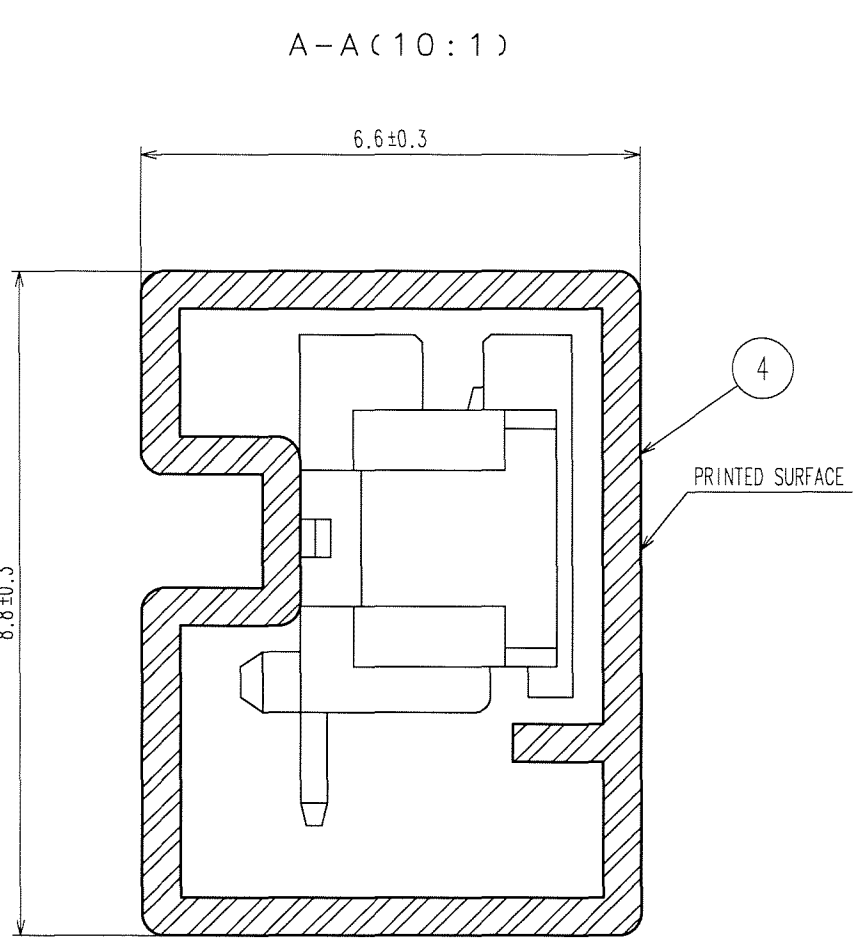
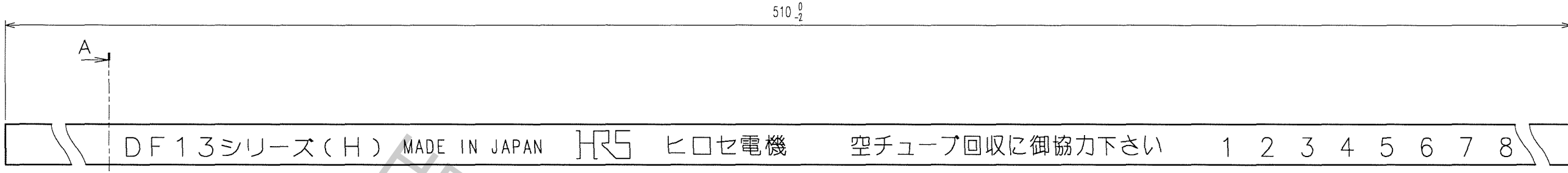
SCALE	DRAWING NO.	PART NO.
5 : 1	EDC3-083662-03	DF13-*P-1.25H(50)
UNITS	HRS	CODE NO.
mm	HIROSE ELECTRIC CO., LTD	CL536-



TO

Apr.1.2017 Copyright 2017 HIROSE ELECTRIC CO., LTD. All Rights Reserved.

COUNT	DESCRIPTION OF REVISIONS	BY	CHKD	DATE	COUNT	DESCRIPTION OF REVISIONS	BY	CHKD	DATE
△				..	△				..
△				..	△				..
△				..	△				..



CODE No.	PARTS No.	QUANTITY OF CONNECTOR
CL536-0251-1-50	DF13- 2P-1.25H(50)	67
CL536-0252-4-50	DF13- 3P-1.25H(50)	57
CL536-0253-7-50	DF13- 4P-1.25H(50)	49
CL536-0254-0-50	DF13- 5P-1.25H(50)	44
CL536-0255-2-50	DF13- 6P-1.25H(50)	39
CL536-0256-5-50	DF13- 7P-1.25H(50)	36
CL536-0257-8-50	DF13- 8P-1.25H(50)	33
CL536-0258-0-50	DF13- 9P-1.25H(50)	30
CL536-0259-3-50	DF13-10P-1.25H(50)	28
CL536-0260-2-50	DF13-11P-1.25H(50)	26
CL536-0261-5-50	DF13-12P-1.25H(50)	24
CL536-0263-0-50	DF13-14P-1.25H(50)	21
CL536-0264-3-50	DF13-15P-1.25H(50)	20

NOTES 6 : THE TUBE HAS ONE STOPPER AT EACH END.  
 7 : WARPAGE OF THE TUBE SHALL BE ALLOWED ±0.2mm PER 510mm.  
 8 : MINIMUM UNIT OF PURCHASE SHALL BE THE QUANTITY OF CONNECTORS IN TUBE.

TO

NO.	MATERIAL	FINISH, REMARKS	NO.	MATERIAL	FINISH, REMARKS		
CODE NO. (OLD) CL			DRAWN	DESIGNED	CHECKED	APPROVED	RELEASED
			T.Kumazawa '05.03.11	T.Kumazawa '05.03.11	H.Umehara '05.03.15	T.Oma '05.03.15	..
DRAWING NO. EDC3-083662-03			PART NO. DF13-*P-1.25H(50)				
SCALE 5 : 1			CODE NO. CL536-				
UNITS mm			HRS HIROSE ELECTRIC CO., LTD				