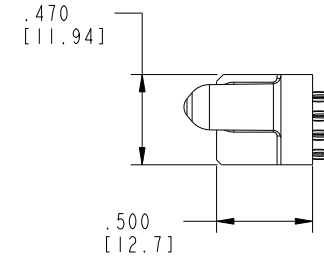
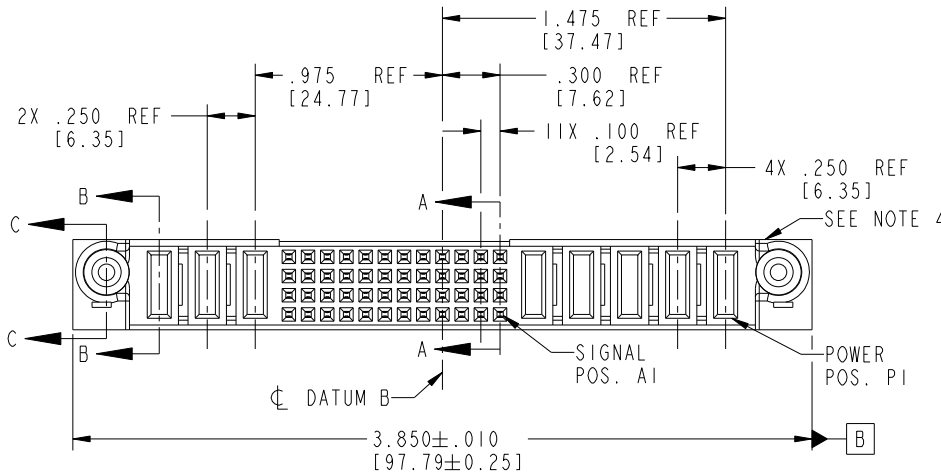
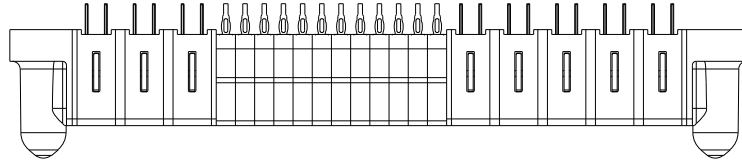


Tous droits strictement réservés. Reproduction ou communication a des tiers interdite sous quelque forme que ce soit sans autorisation écrite du propriétaire. Propriété de c FCI. Droits de reproduction FCI.

All rights strictly reserved. Reproduction or issue to third parties in any form whatever is not permitted without written authority from the proprietor. Property of FCI. Copyright FCI.



PRODUCT NO. 51750-043-- NOTE: 3	ROWS D C B A	POWER				SIGNAL								POWER					E1			
		E2	P8	P7	P6	12	11	10	9	8	7	6	5	4	3	2	1	P5		P4	P3	P2
			PF	PF	PC	F	F	F	F	F	F	F	F	F	F	F	PC	PC	PC	PF	PF	



CODE	DIM "M" MATING LENGTH	CONTACT TYPE
F	N/A [N/A]	SIGNAL
PC	.042 [1.07]	POWER
PF	.092 [2.34]	POWER

mat'l code				SEE NOTE 2		tolerances unless otherwise specified		CUSTOMER		 www.fciconnect.com	
ltr	ecn no.	dr	date	linear	.XX±.01/0.X±0.3	projection		title			
A	V03-0143	TAB	02/04/03		.XXY±.005/0.XX±0.13			5P + 48S + 3P			
B	V03-0174	TAB	02/11/03	angles	.XXX±.0020/0.XXX±0.051			VERTICAL PRESSFIT RECEPT			
C	DG05-0504	GuoJM	11/29/05		0°±2°	INCH/MM		product family		code	
D	DG08-0251	W D	09/13/08	dr	T. BRUNGARD 02/04/03	scale		PwrBlade		213	
				engr	M. MOSTOLLER 02/04/03	1:1		size		sheet	
				chr	M. MOSTOLLER 02/04/03			dwg no		1 of 4	
				appd	M. MOSTOLLER 02/04/03			A 51750-043			
sheet index	revision sheet	D	D	D	D						
		1	2	3	4						

1 | 2

Pro/E

PDM: Rev: D

STATUS: Released

Printed: Dec 20, 2010

3 |

4

A

A

B

B

cage code 22556

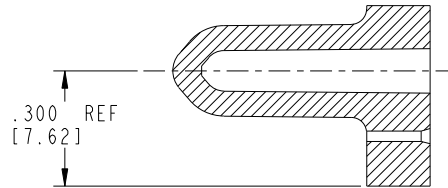
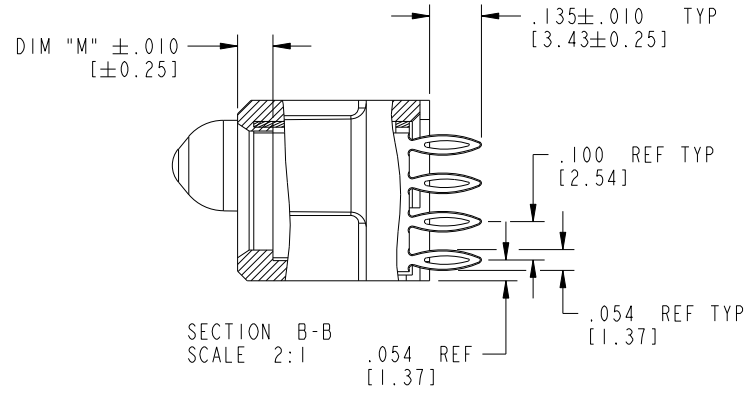
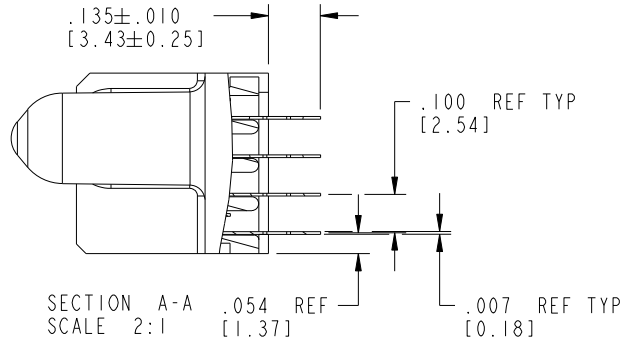
4

Tous droits strictement réservés. Reproduction ou communication a des tiers interdite sous quelque forme que ce soit sans autorisation écrite du propriétaire. Propriete de c FCI. Droits de reproduction FCI.

All rights strictly reserved. Reproduction or issue to third parties in any form whatever is not permitted without written authority from the proprietor. Property of FCI. Copyright FCI.



PRODUCT NUMBER
51750-043__
NOTE: 3



mat'l code		SEE NOTE 2		tolerances unless otherwise specified		CUSTOMER		FCI	
ltr	ecn no.	dr	date	linear	.XX±.01/0.X±0.3	COPY		www.fciconnect.com	
D				projection	.XX±.005/0.XX±0.13	INCH/MM		title 5P + 48S + 3P	
				angles	.XXX±.0020/0.XXX±0.051	1:1		VERTICAL PRESSFIT RECEPT	
				dr	0°±2°	scale		product family PwrBlade code	
				enrg	T. BRUNGARD 02/04/03	A		size 213	
				chr	M. MOSTOLLER 02/04/03	51750-043		sheet	
				appd	M. MOSTOLLER 02/04/03	2 of 4			
sheet index	revision sheet								

Pro/E

PDM: Rev: D

STATUS: Released

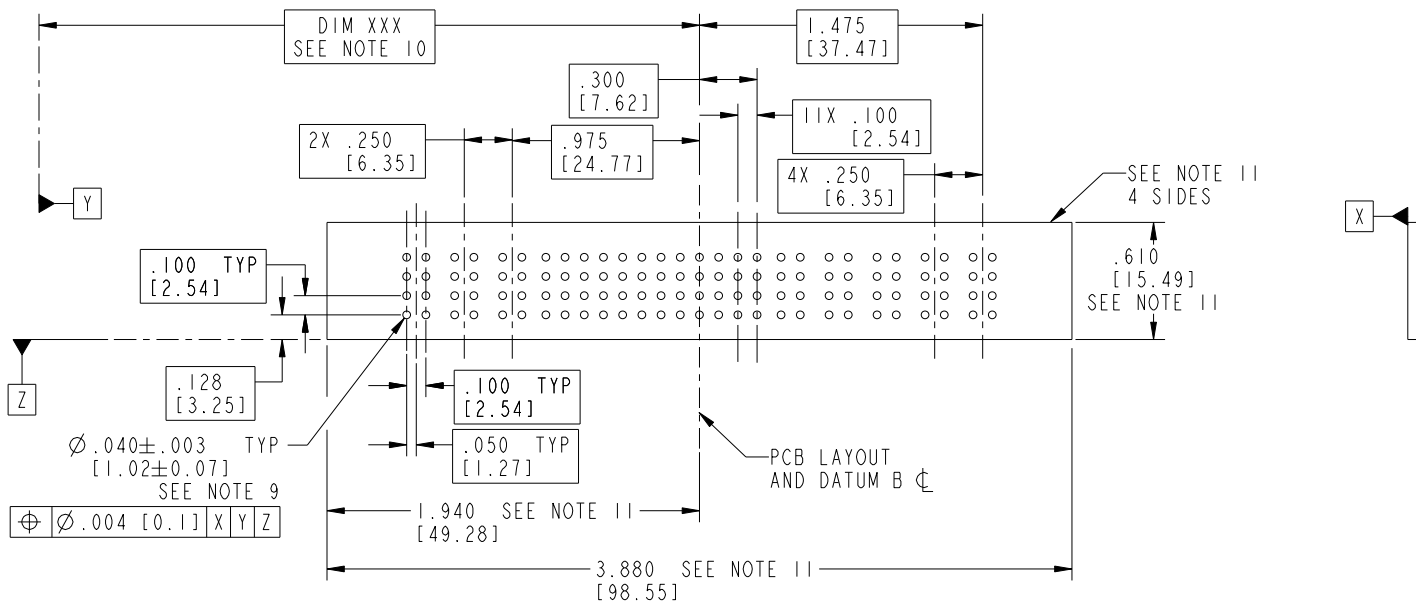
Printed: Dec 20, 2010

Tous droits strictement réservés. Reproduction ou communication a des tiers interdite sous quelque forme que ce soit sans autorisation écrite du propriétaire. Propriété de c FCI. Droits de reproduction FCI.



All rights strictly reserved. Reproduction or issue to third parties in any form whatever is not permitted without written authority from the proprietor. Property of FCI. Copyright FCI.

PRODUCT NUMBER
51750-043__
NOTE: 3



RECOMMENDED PCB LAYOUT

mat'l code		SEE NOTE 2		tolerances unless otherwise specified		CUSTOMER		FCI	
ltr	ecn no.	dr	date	linear	.XX±.01/0.X±0.3	COPY		www.fciconnect.com	
D				angles	.XXX±.005/0.XX±0.13	projection		title 5P + 48S + 3P	
					.XXX±.002/0.XXX±0.051	INCH/MM		VERTICAL PRESSFIT RECEPT	
				dr	0°±2°	scale		product family PwrBlade	
				enrg	T. BRUNGARD 02/04/03	1:1		code 213	
				enrg	M. MOSTOLLER 02/04/03			size dwg no 51750-043	
				chr	M. MOSTOLLER 02/04/03			sheet 3 of 4	
				appd	M. MOSTOLLER 02/04/03				
sheet index	revision sheet								

Pro/E

PDM: Rev: D

STATUS: Released

Printed: Dec 20, 2010

Tous droits strictement réservés. Reproduction ou communication a des tiers interdite sous quelque forme que ce soit sans autorisation écrite du propriétaire. Propriété de c FCI. Droits de reproduction FCI.



All rights strictly reserved. Reproduction or issue to third parties in any form whatever is not permitted without written authority from the proprietor. Property of FCI. Copyright FCI.

1 | 2

3 |

4

PRODUCT NUMBER
51750-043__
NOTE: 3

NOTES:

1. DIMENSIONS AND TOLERANCES ARE IN ACCORDANCE WITH ASME Y14.5M, 1994 UNLESS OTHERWISE SPECIFIED.

CONNECTOR NOTES:

- ② HOUSING MATERIAL: UL 94 V-0 GLASS FILLED HIGH-TEMP THERMOPLASTIC
POWER CONTACT MATERIAL: COPPER ALLOY
SIGNAL PIN MATERIAL: COPPER ALLOY
- △ 3. SEE ITEM 7 & 8 IN PRINT 10064183 FOR PLATING SPEC OF 51750-043 AND 51750-043LF RESPECTIVELY.
- ④ MANUFACTURER'S NAME, P/N, AND DATE CODE TO APPEAR ON THIS SURFACE.
- 5. PRODUCT SPECIFICATION GS-12-149.
APPLICATION SPECIFICATION BUS-20-067.
- 6. PACKAGED IN TRAYS.
- PCB NOTES:
- 7. ALL HOLE DIAMETERS ARE FINISHED HOLE SIZE.
- ⑧ MOUNTING HOLES, WHERE APPLICABLE, ARE UNPLATED.
- ⑨ $\varnothing .0453 \pm .0010$ [1.151 \pm 0.025] DRILLED HOLES PLATED WITH
.0003 [0.008] MIN SnPb OVER .001 [0.03]
TO .003 [0.08] Cu PLATING TO ACHIEVE
 $\varnothing .040 \pm .003$ [1.02 \pm .07] HOLE.
- ⑩ "DIM XXX" TO BE DETERMINED BY THE CUSTOMER.
- ⑪ CONNECTOR KEEP-OUT ZONE.
- 12. A △ SYMBOL WILL BE NEXT TO ANY DIMENSION, VIEW, OR NOTE WHICH HAS BEEN MODIFIED WITH THE CURRENT DRAWING REVISION.

mat'l code		SEE NOTE 2		tolerances unless otherwise specified		CUSTOMER		FCI	
ltr	ecn no.	dr	date	linear	.XX±.01/0.X±0.3	COPY		www.fciconnect.com	
D				projection	.XXX±.005/0.XX±0.13			title 5P + 48S + 3P	
				angles	.XXX±.0020/0.XXX±0.051			VERTICAL PRESSFIT RECEIPT	
				dr	0° ± 2°	INCH/MM		product family PwrBlade	
				engr	T. BRUNGARD 02/04/03	scale		code 213	
				chr	M. MOSTOLLER 02/04/03	1:1		size A	
				appd	M. MOSTOLLER 02/04/03	A		dwg no 51750-043	
sheet index	revision sheet							sheet 4 of 4	

1 | 2

Pro/E

PDM: Rev:D

STATUS: Released

Printed: Dec 20, 2010

A

A

B

B

cage code 28536

4