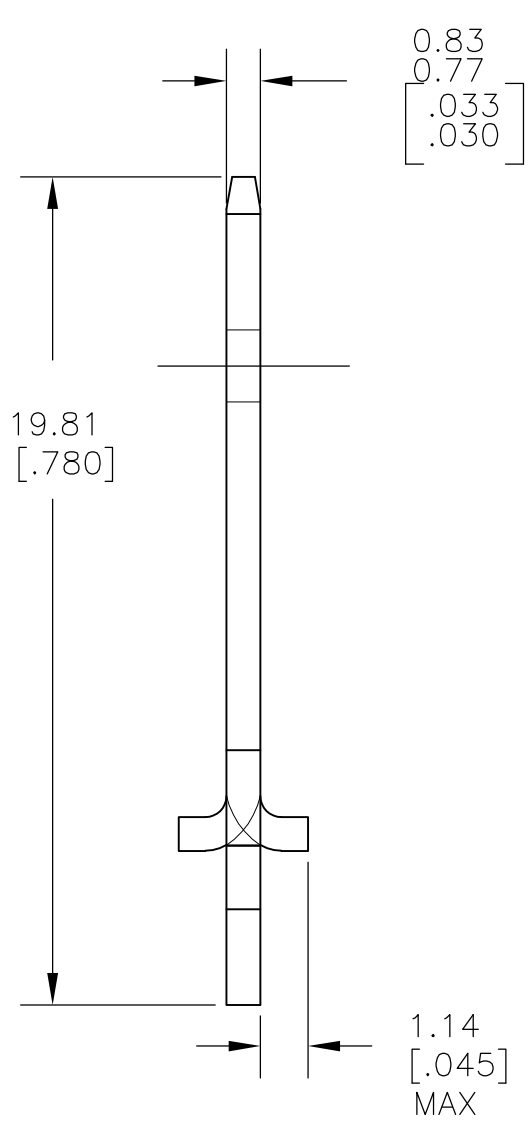
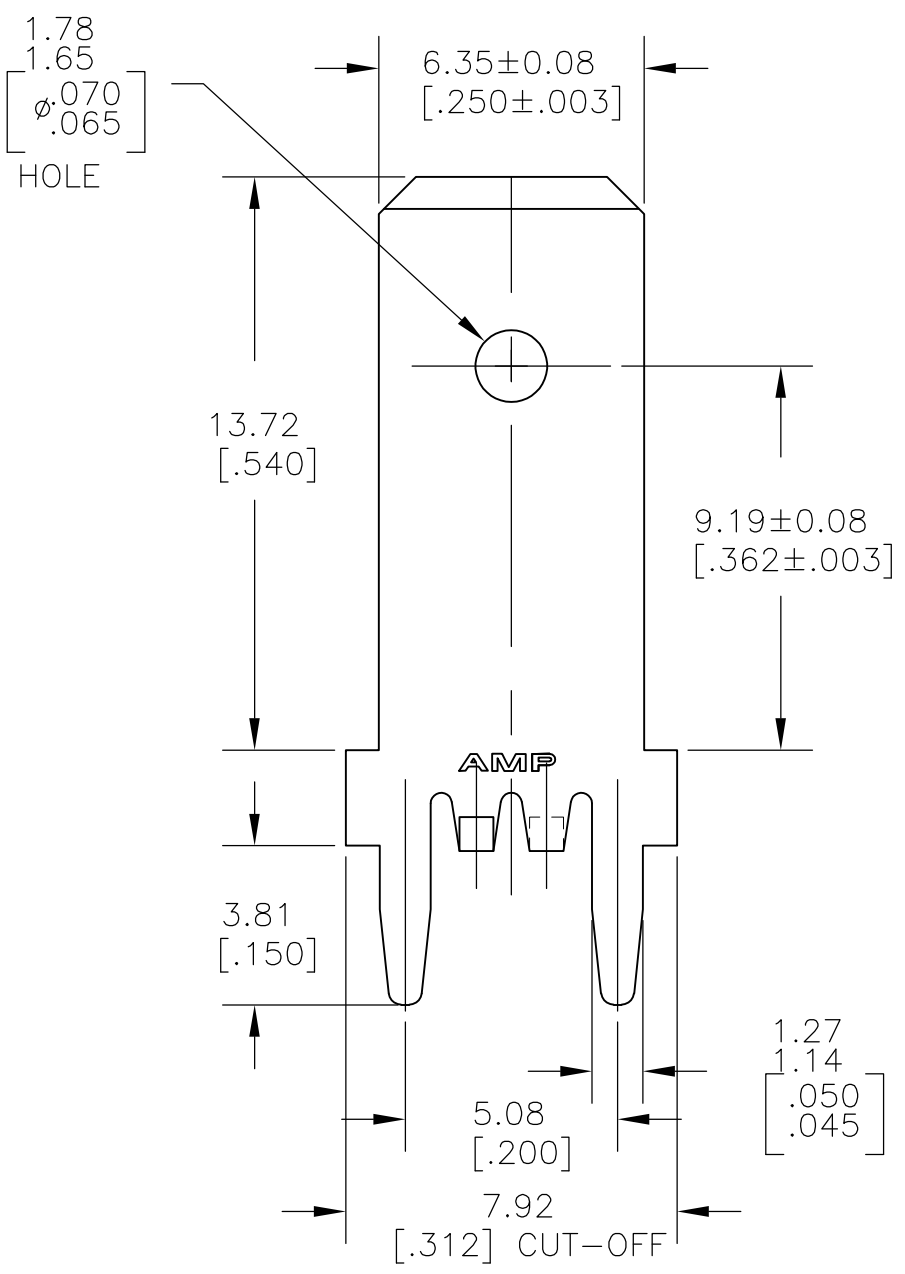
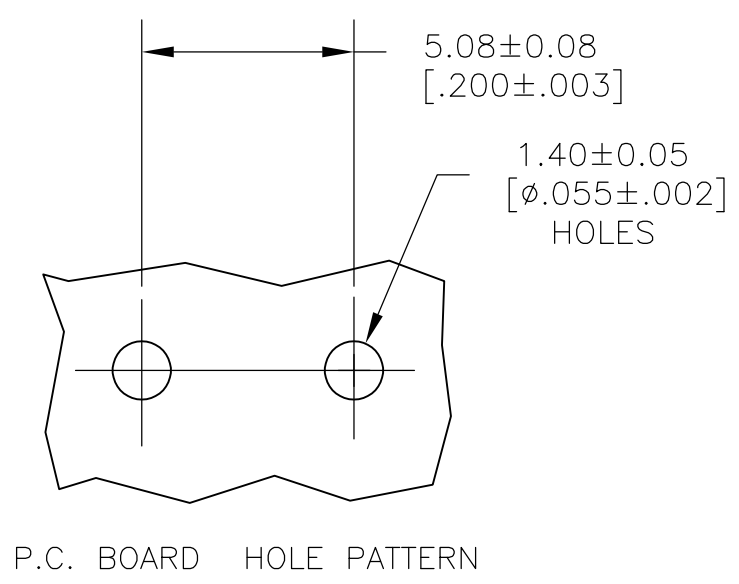


LOC	DIST	REVISIONS					
AF	50	P	LTR	DESCRIPTION	DATE	DWN	APVD
		C1		REV PER ECR-11-003939	22FEB11	JR	PD



- 1 SUPPLIED IN LOOSE PIECE AFTER PLATING, BARE EDGES AT CUT-OFFS.
- 2 TIN PLATE 0.00381 [.000150] MIN OVER 0.00254 [.000100] MIN THK COPPER.



1217167-1  
 PART NO.

THIS DRAWING IS A CONTROLLED DOCUMENT.		DWN	JR RUTH	28MAR01	 Tyco Electronics Corporation Harrisburg, PA 17105-3608
DIMENSIONS: mm [INCHES]		CHK	MS FEHER	28MAR01	
TOLERANCES UNLESS OTHERWISE SPECIFIED:		APVD	N DEIBERT	28MAR01	
0 PLC ± - 1 PLC ± - 2 PLC ± 0.25 [.010] 3 PLC ± - 4 PLC ± - ANGLES ± -		PRODUCT SPEC	NAME		
MATERIAL	082 BRASS	FINISH			TAB, FASTON, P.C.BOARD 6.35 [.250]
WEIGHT		-		SIZE	A3
CUSTOMER DRAWING		CAGE CODE	00779	DRAWING NO	C-1217167
SCALE		6:1		SHEET	1 OF 1
RESTRICTED TO		-		REV	C1