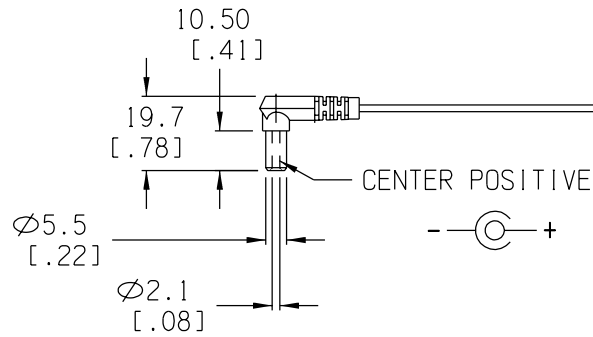
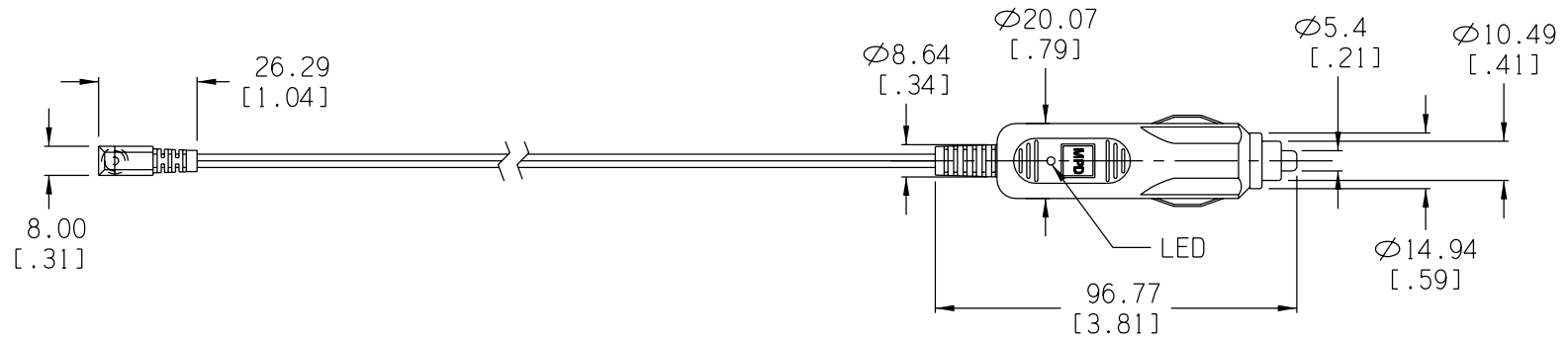


| Date     | SYM | REVISION RECORD        | AUTH | DR.  | CK. |
|----------|-----|------------------------|------|------|-----|
| 10/22/05 | A   | ADDED "ROHS COMPLIANT" | T.B. | B.S. |     |
|          |     |                        |      |      |     |
|          |     |                        |      |      |     |
|          |     |                        |      |      |     |



BILL OF MATERIAL

| PART #  | QTY. | DESCRIPTION                                  |
|---------|------|--|
| APP-001 | 1    | CIGARETTE PLUG FOR 21 OR 22.2mm DIA. SOCKETS |
| PLUG    | 1    | DC MOLDED PLUG, 2.1 x 5.5mm                  |
| FUSE    | 1    | 3AG (6.35 x 30mm), 3 AMP.                    |
| CORD    | 1    | UL AWM 2468, 22 AWG, 80°C, UL-VW-1           |

NOTE:  
ROHS COMPLIANT

|                    |
|--------------------|
| Tolerance (Inches) |
| Decimal            |
| ±.5 (.020)         |
| Fractional         |
| ± .8 (.030)        |
| Angular            |
| ± 3°               |



Memory Protection Devices, Inc.  
200 Broad Hollow Road, Farmingdale, New York 11735

|  |                          |
|--|--------------------------|
| Scale  | Drawn By B.S.            |
| Approved By T.B.   |                          |
| Title<br>AUTO POWER CORD SET, 6' W/3 AMP FUSE, RED LED,<br>RIGHT ANGLE 2.1mm DC PLUG |                          |
| Date<br>10/22/05   | Drawing Number<br>ZA5077 |