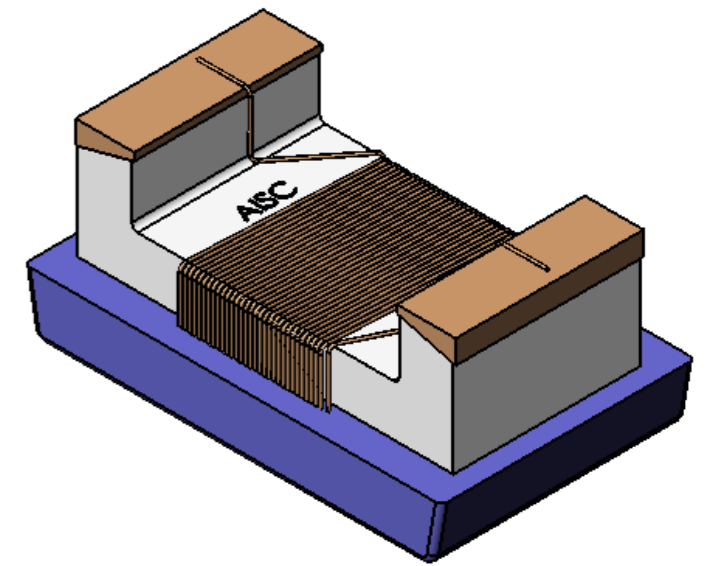
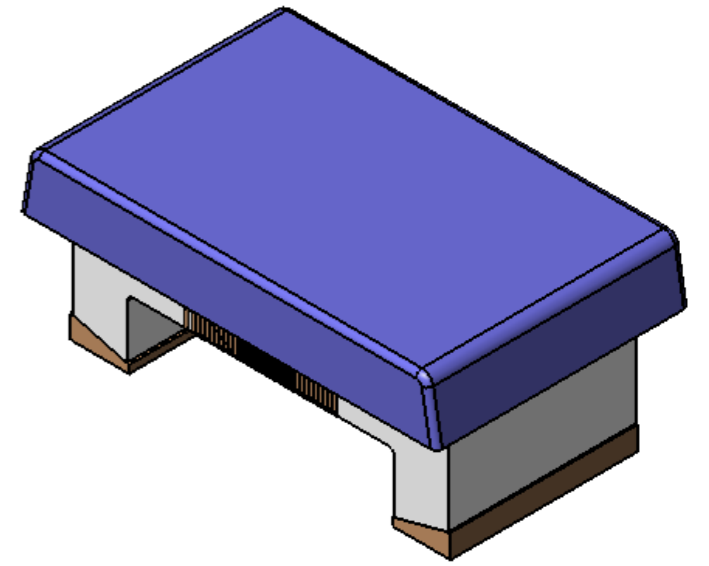
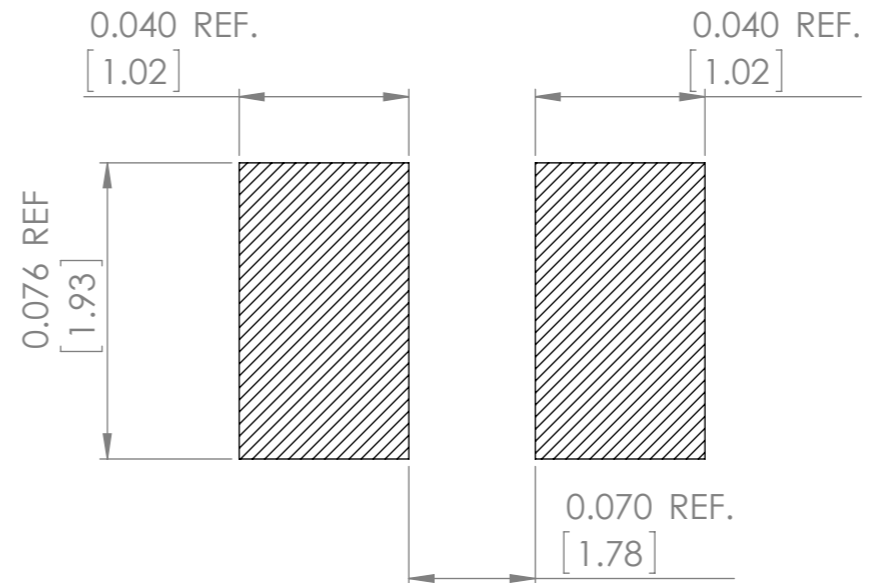



Recommended Land Pattern



NO	COMPONENTS	MATERIAL
A	Coating	Ultraviolet epoxy resin
B	Core	Ceramic
C	Wire	Polyurethane system enameled copper wire
D	Electrodes	Mo-Mn with Ni and Au plating

UNLESS OTHERWISE SPECIFIED: DIMENSIONS ARE IN INCH(MM) SURFACE FINISH: TOLERANCES: LINEAR: ANGULAR:		FINISH:	DEBUR AND BREAK SHARP EDGES	DO NOT SCALE DRAWING	REVISION
DRAWN SAAZVAT		SIGNATURE	DATE	 30332 Esperanza, Rancho Santa margarita, California 92688	
CHK'D XXXXXX				TITLE: Wirewound	
APP'V'D				DWG NO. AISC-1206	
MFG				SCALE:22:1	
Q.A		MATERIAL:		SHEET 1 OF 1	
		WEIGHT:		A3	