



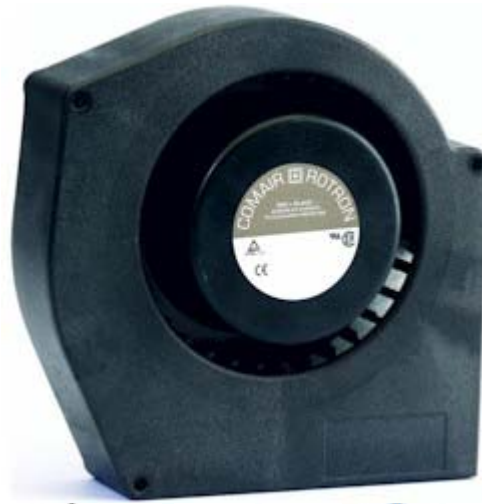
Spinnaker - SPD24B1 - 032183 - No
 (Family) (Model) (Part #) (In Stock)

Electrical Specifications

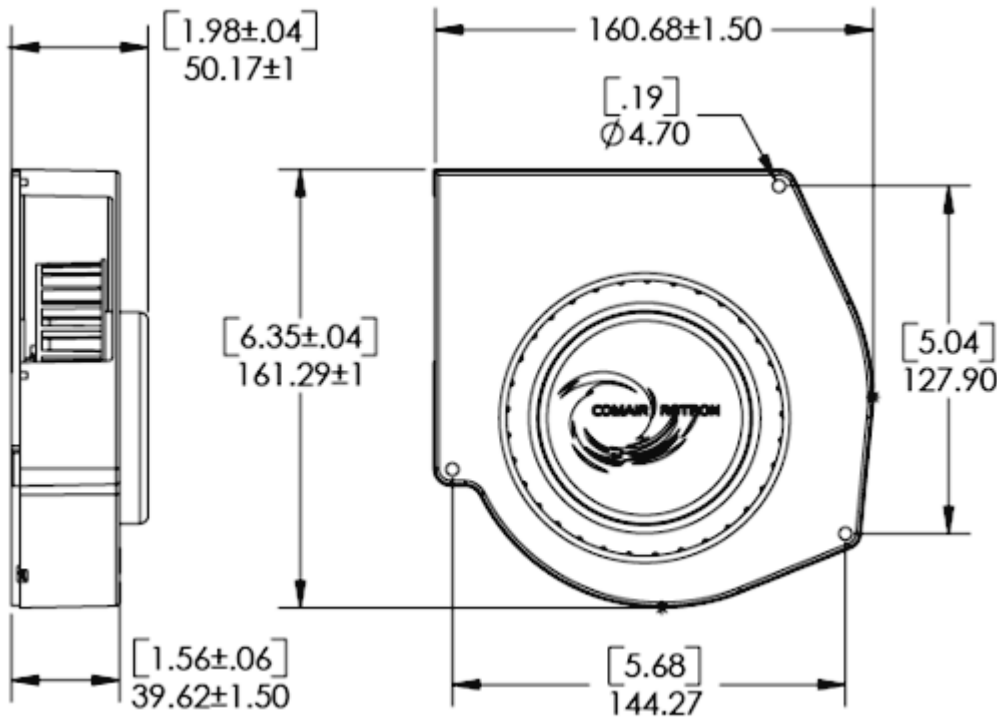
Operating Voltage:	24 Volts
Voltage Range:	12 - 28 Volts
Power Supply:	30.0 Watts
Line Current:	1.25 Amps
Locked Rotor Current	2.00 Amps
Nominal Speed:	2500 RPM

Mechanical Specifications

Dimensions:	6.4 x 6.4 x 1.6 in
Weight	33.6 oz
Max Airflow @ 0 in H ₂ O	60.0 CFM
Max Pressure @ 0 CFM	1.100 in H ₂ O
Noise	57.0 dBA



Mechanical Drawing



Comair Rotron, Inc.
 Phone: 619.651.2000
 sales@comairrotron.com

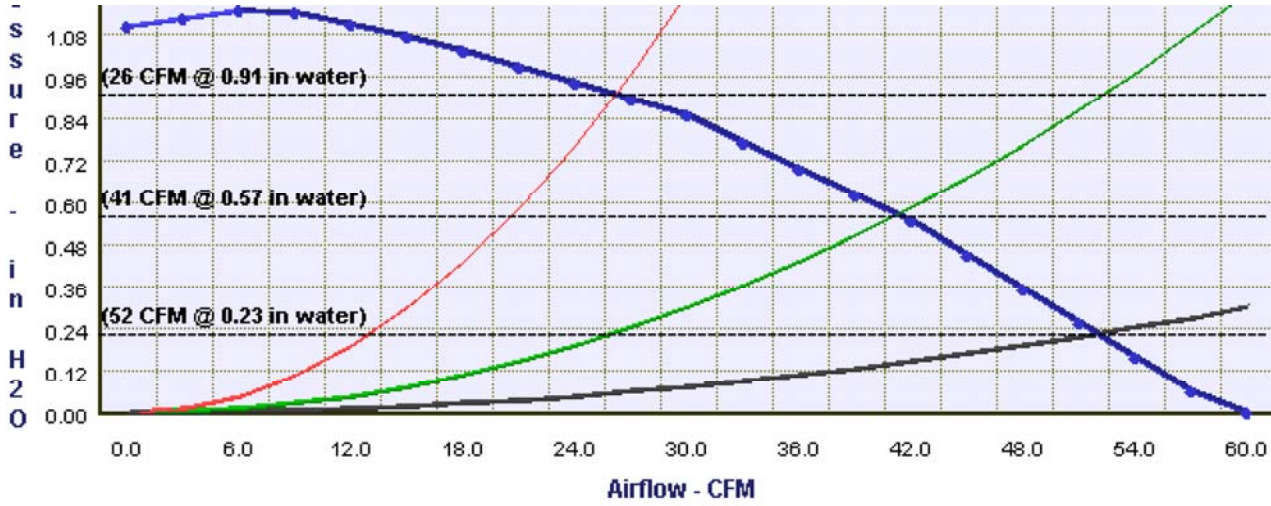
Comair Rotron Europe, Ltd.
 Phone: +44.1527.520525
 saleseurope@comairrotron.com

Comair Rotron Fan Company Ltd.
 Phone: +86.21.52260581
 salesasia@comairrotron.com

Print Date: Friday, November 20, 2009 at 12:57:00 - DC Blower Datasheet - Web Version 1.0 Rev. B



Blower Performance Curve



Blower Configuration Options

Spinnaker (Family) **SPD24B1 / 032183** (Model) **No** (In Stock) **305 mm [12 inch] Leads** (Features)

Blower Speed: 2500 RPM **Blower Bearings:** Ball Bearings
Blower Airflow Direction: Flow L (CW Rotation) **Blower Termination:** Leads

Blower Monitoring Options: No Blower Monitoring Options Selected

Blower Speed Control Option: No ThermaPro-V Blower Speed Control Options Selected

Environmental Protection Options: No Enviroshield Options Selected

Comair Rotron, Inc.
 Phone: 619.651.2000
 sales@comairrotron.com

Comair Rotron Europe, Ltd.
 Phone: +44.1527.520525
 saleseurope@comairrotron.com

Comair Rotron Fan Company Ltd.
 Phone: +86.21.52260581
 salesasia@comairrotron.com

Print Date: Friday, November 20, 2009 at 12:57:00 - DC Blower Datasheet - Web Version 1.0 Rev. B



Comair Rotron, Inc.
Phone: 619.651.2000
sales@comairrotron.com

Comair Rotron Europe, Ltd.
Phone: +44.1527.520525
saleseurope@comairrotron.com

Comair Rotron Fan Company Ltd.
Phone: +86.21.52260581
salesasia@comairrotron.com

Print Date: Friday, November 20, 2009 at 12:57:00 - DC Blower Datasheet - Web Version 1.0 Rev. B