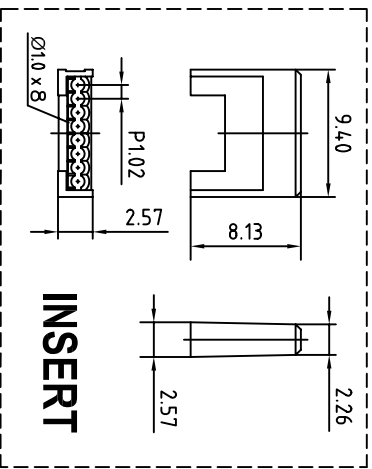
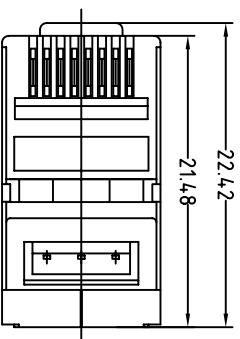
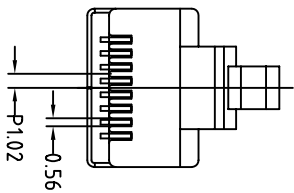
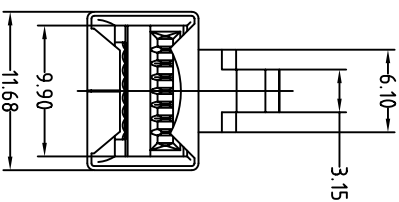
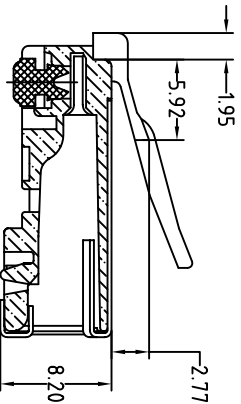
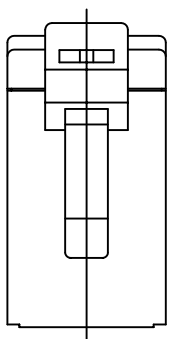


used for:



**INSERT**

**Notes:**

**1. Electrical Specifications:**

- Meets TIA/EIA-606-B.2 and IEC60603-7-3 Specifications
- Contact Resistance: 20 mOhm max.
- Termination Resistance: 35 mOhm max.
- Insulation Resistance: 500 MOhm min @ 100V DC
- Current Rating 1.5A max @ 25°C
- DWV: 1000V DC/60s Contact to Contact
- 1500V DC/60s Contact to Metal Shell
- Operation Temperature: -40°C to +125°C.

**2. Material and Finish:**

- ⓑ Housing: Polycarbonate, UL94 V-0, Color: Transparency
- Shell: Copper Alloy with 50u" min Nickel Plating
- Contact: Phosphor Bronze.
- Contact Finish: 50u" Au min over 50u" min Nickel

**3. Suitable for AWG24 - 26 Stranded and Solid Wires**

**4. Cable Tensile Strength: 7.7kg**

**5. RoHS compliant**



THIS DRAWING MAY NOT BE COPIED OR REPRODUCED IN ANY WAY, AND MAY NOT BE PASSED ON TO A THIRD PARTY WITHOUT WRITTEN PERMISSION. OWNERSHIP AND COPYRIGHT OF CONEC CORPORATION

DO NOT ALTER CAD DRAWING BY HAND

tolerance  
unless otherwise specified tolerance shall be as follow  
Decimal: X .44.25  
XX .48.10  
Angles: .3°

rev	a	b	origin	date	name
			May/15/07		Vincent Ke

finish  
Dim. in mm

2006	date	name
draw: Vincent Ke		
appd: J. Chaudry		
norm		

scale:  
material: SEE NOTES

title:  
Shielded Cat. 5e RJ45 Plug with one Insert  
with 2 prongs pin for both stranded & solid wires  
RoHS compliant



drawing no.: AutoCAD 2005  
part no.: 39K1A270  
391J00039X

DIN A3  
Sheet 1/1