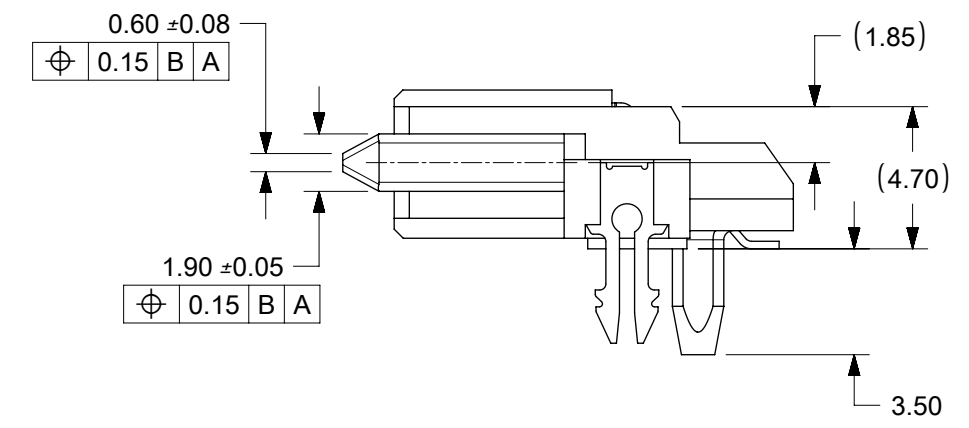
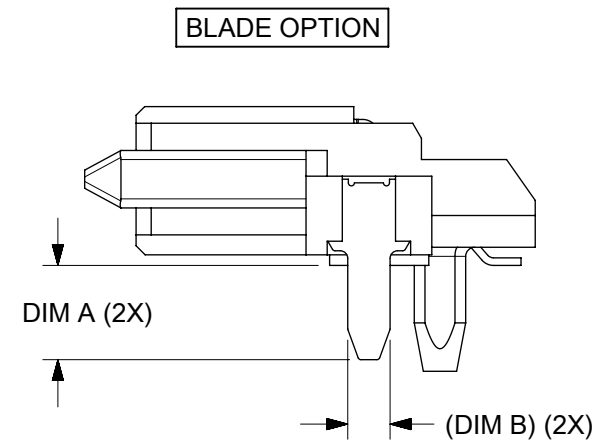
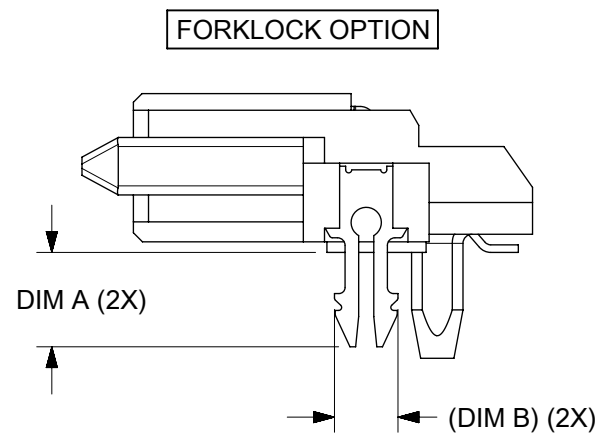


- NOTES:
- MATERIAL
HOUSING: LCP, GLASS FILLED, UL 94V-0, BLACK
TERMINAL: COPPER ALLOY
FORK LOCK/BLADE: COPPER ALLOY
 - PLATING:
TERMINAL:
CONTACT: 0.76µm MIN. SELECTIVE GOLD OVER 1.27µm MIN. NICKEL UNDERPLATE
SOLDERTAIL: 2.54µm MIN. TIN OVER 1.27µm MIN. NICKEL UNDERPLATE
FORK LOCK/BLADE: 2.54µm MIN. TIN OVER 1.27µm MIN. NICKEL UNDERPLATE
 - PRODUCT SPECIFICATION PS-78798-001
 - PACKAGING SPECIFICATION : PK-78798-001
 - MOLEX LOGO, SERIES NUMBER, CAVITY ID AND DATE CODE LOCATED APPROXIMATELY AS SHOWN
 - NON FUNCTIONAL CORE HOLE MAY VARY
 - THIS PRODUCT IS COMPLIANT TO RoHS DIRECTIVE WITH THE FOLLOWING BANNED SUBSTANCES - LEAD, MERCURY, CADMIUM, HEXAVALENT CHROMIUM, POLYBROMINATED BIPHENYLS AND POLYBROMINATED DIPHENYL ETHERS
 - REFER TO AS-78798-001 FOR PCB ROUTING RECOMMENDATIONS



SYMBOLS	THIS DRAWING CONTAINS INFORMATION THAT IS PROPRIETARY TO MOLEX ELECTRONIC TECHNOLOGIES, LLC AND SHOULD NOT BE USED WITHOUT WRITTEN PERMISSION		CURRENT REV DESC: ADD CORE OUT			molex			
	DIMENSION UNITS	SCALE							
▽ = 0	mm	NTS				SAS/PCIE			
▽ = 0	GENERAL TOLERANCES (UNLESS SPECIFIED)					RECEPTACLE, RIGHT-ANGLE SMT, 2.85MM HEIGHT			
▽ = 0	ANGULAR TOL ± 3.0°					PRODUCT CUSTOMER DRAWING			
▽ = 0	4 PLACES	±	EC NO: 175727	2018/05/11					
▽ = 0	3 PLACES	±	DRWN: TTAO03	2018/05/21					
▽ = 0	2 PLACES	± 0.2	CHK'D: SHONG	2018/05/21					
▽ = 0	1 PLACE	±	APPR: SHONG	2018/05/21					
▽ = 0	0 PLACES	±	INITIAL REVISION:			DOCUMENT NUMBER			
▽ = 0	DRAFT WHERE APPLICABLE MUST REMAIN WITHIN DIMENSIONS		DRWN: GMENARLY	2013/01/28	SD-78798-001		DOC TYPE	DOC PART	REVISION
▽ = 0	THIRD ANGLE PROJECTION		APPR: BOKOK	2013/03/15	SEE TABLE		PSD	001	B
			DRAWING	SERIES	MATERIAL NUMBER	CUSTOMER	SHEET NUMBER		
			A3-SIZE	78798	SEE TABLE	IBM	1 OF 4		

PART NO	HOLD DOWN	CAP	DIM A	DIM B
78798-0001	FORKLOCK	YES	3.12	2.10
78798-0002	MOUNT BLADE	YES	3.12	1.40



THIS DRAWING CONTAINS INFORMATION THAT IS PROPRIETARY TO MOLEX ELECTRONIC TECHNOLOGIES, LLC AND SHOULD NOT BE USED WITHOUT WRITTEN PERMISSION										
SYMBOLS	DIMENSION UNITS	SCALE	CURRENT REV DESC: ADD CORE OUT							
	$\nabla = 0$	mm	NTS	<p style="text-align: center;">molex</p> <p style="text-align: center;">SAS/ PCIE RECEPTACLE, RIGHT-ANGLE SMT, 2.85MM HEIGHT</p> <p style="text-align: center;">PRODUCT CUSTOMER DRAWING</p>						
$\nabla = 0$	GENERAL TOLERANCES (UNLESS SPECIFIED)									
$\nabla = 0$	ANGULAR TOL $\pm 3.0^\circ$									
$\nabla = 0$	4 PLACES	\pm								
$\nabla = 0$	3 PLACES	\pm								
$\nabla = 0$	2 PLACES	± 0.2	INITIAL REVISION:							
$\nabla = 0$	1 PLACE	\pm	DRWN: GMENARLY		2013/01/28	DOCUMENT NUMBER				
$\nabla = 0$	0 PLACES	\pm	APPR: BOKOK		2013/03/15	SD-78798-001		DOC TYPE	DOC PART	REVISION
$\nabla = 0$	DRAFT WHERE APPLICABLE MUST REMAIN WITHIN DIMENSIONS		THIRD ANGLE PROJECTION	DRAWING	SERIES	MATERIAL NUMBER	CUSTOMER	SHEET NUMBER		
$\nabla = 0$				A3-SIZE	78798	SEE TABLE	IBM	3 OF 4		

